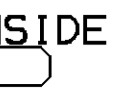
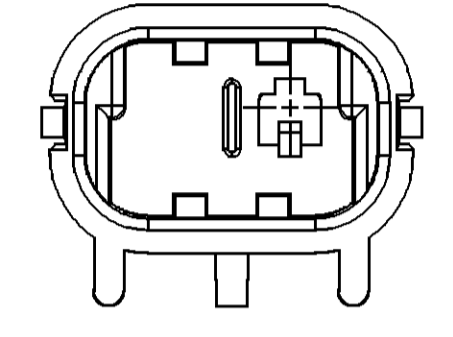
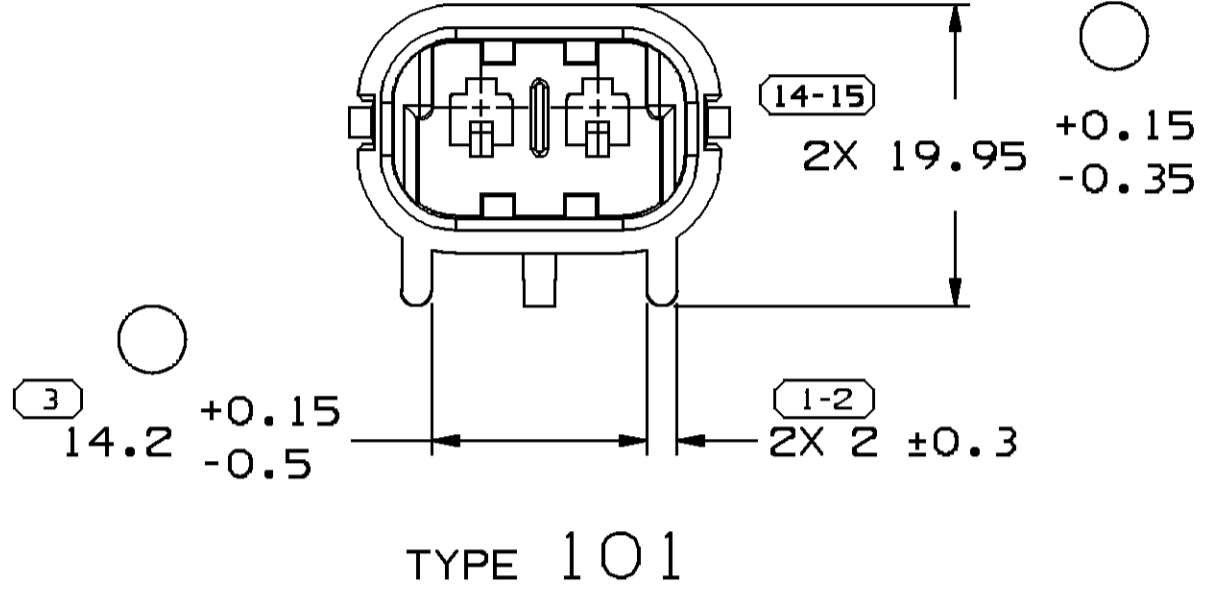


SYMBOL DEFINITION		MISSING NUMBERS	
THE NUMBER INSIDE THE SYMBOL  CORRESPONDS TO THE NUMBER ON THE INSPECTION REPORT FOR THIS DRAWING/PART NUMBER	TOTAL NO. OF SYMBOLS ON DRAWING	8	4-8, 11
	LAST NO. USED	16	

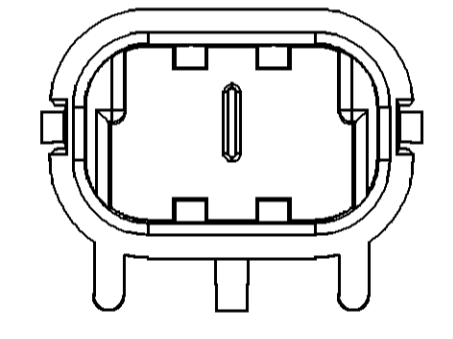
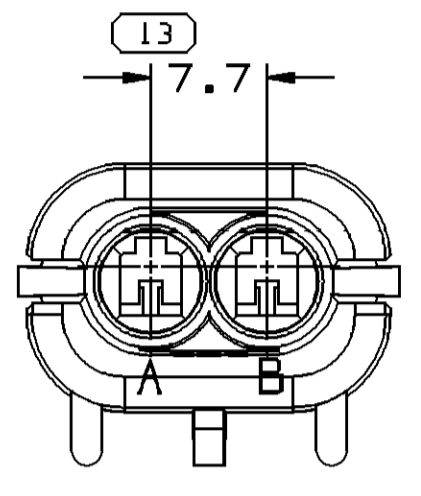
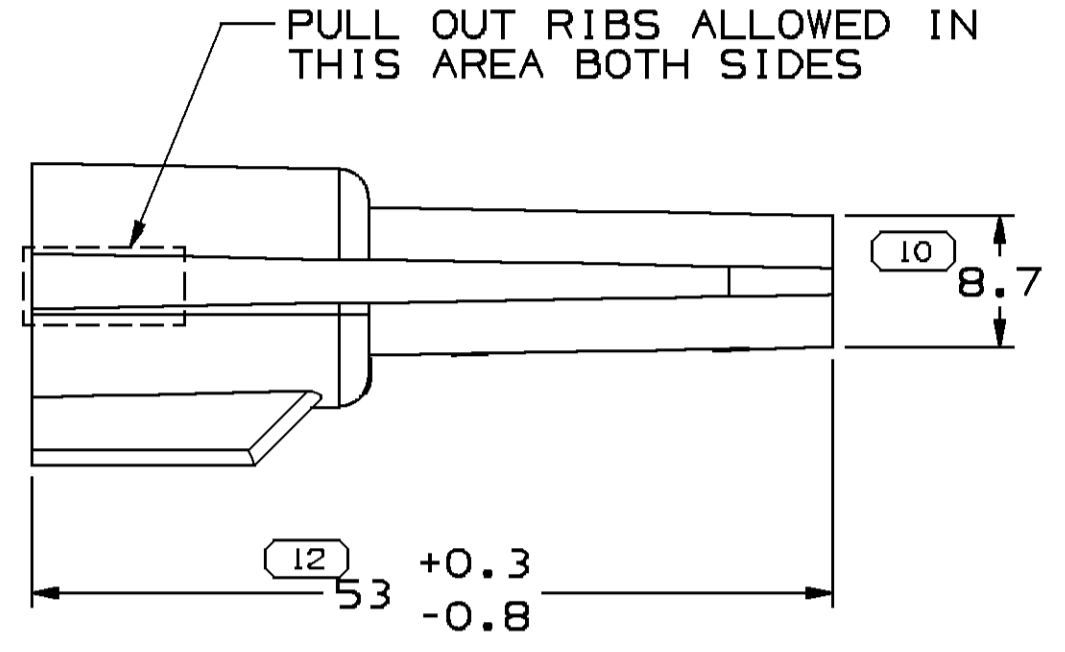
DWG STATUS					REVISION HISTORY				AUTH	DR	APVD1	APVD2	
DATE	STG	REV	N/P	CHG	ZONE								
12MY00	R	01	-	-		ALL PARTS - REDRAWN TO PD				000009	JLZ	GMC	DN
12MY00	R	02	-	-		ALL PARTS - UPDATED PDM ATTRIBUTES				201187	JLZ	GMC	JA
03AP01	R	03	-	-		ALL PARTS - UPDATED PDM ATTRIBUTES				208122	JYD	RGT	JA
20JL01	R	04	-	-		ADDED NEW PART 15417946				212181	TW	TW	AL
04MR04	R	05	-	-		ALL PARTS-UPDATED MATERIAL SPECS.				252580	LLJ	LLJ	TM
17AU04	R	06	-	-		FOR P/N 15300002 AND 15300032 WAS REV. 04AD				257988	LMB	LMB	TM
24FE05	R	07	-	-		ALL PARTS - ADDED PULL OUT NOTE AND 2X 1.2+0.25-0.5 WAS 2X 1.2				265291	MAC	MAC	TM
24FE05	R	08	-	-		ALL PARTS-ADDED DIM 14-15 & 16, REMOVED 33.7, 18.95+0.3-0.35, 2X 1.2+0.25-0.5, 2 AND SEALING CODE NOTE				266854	MAC	MAC	TM
18N008	R	09	-	-		ALL PARTS - UPDATED PDM ATTRIBUTES; ADDED 'FOR APPLICATION ...' AND 'THIS PRODUCT ...' NOTES; REMOVED 'REFERENCE MATING ...' AND 'THIS PART ACCEPTS ...' NOTES				406760	DJM	DJM	TM
10DE09	R	10	-	-		ALL PARTS - 2X 19.95 +0.15 / -0.35 WAS 2X 19.95±0.15 AND 14.2 +0.15 / -0.5 WAS 14.2 +0.15 / -0.2				409646	DGL	DGL	JPZ



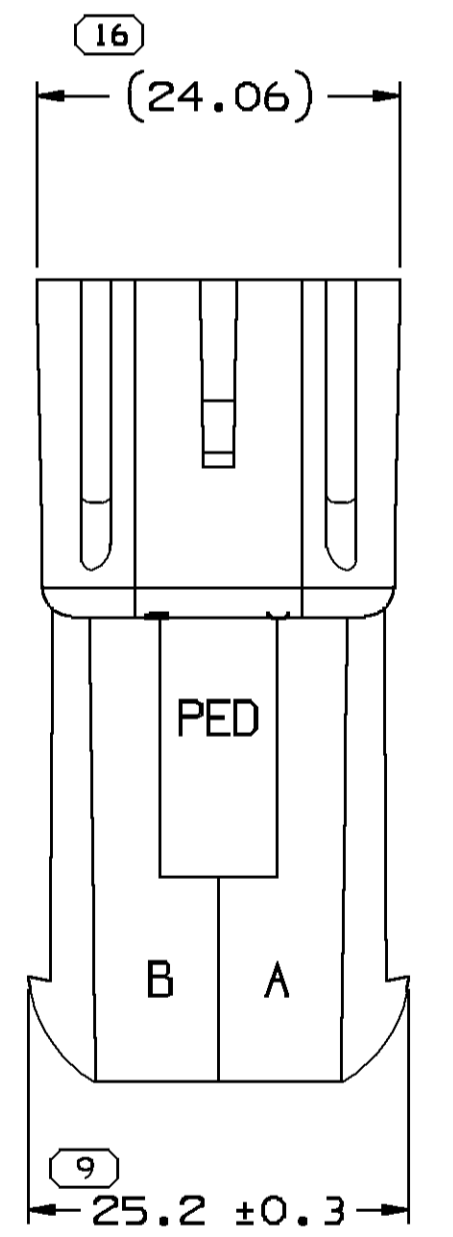
TYPE 102
SAME AS TYPE 101
EXCEPT AS SHOWN



TYPE 101

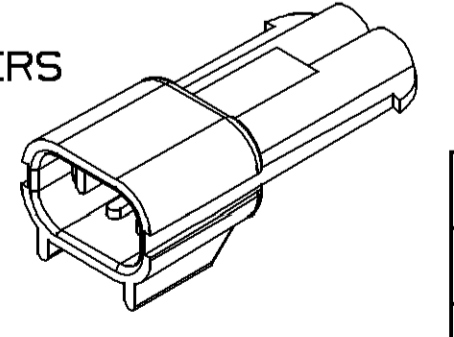


TYPE 103
SAME AS TYPE 101
EXCEPT AS SHOWN



NOTES

- UNLESS OTHERWISE SPECIFIED AND/OR INDICATED:
DIMENSIONS ARE TO FACE OF VIEW SHOWN AND AUTOMATICALLY ROUNDED BY COMPUTER FOR INSPECTION (SEE MATH MODEL FOR PRECISE DIMENSIONS). FOR ALL OTHER DIMENSIONS NOT SHOWN BUT REQUIRED FOR TOOL BUILD, SEE MATH MODEL FOR PRECISE TOOL PATH DATA.
- MATERIAL RECYCLING CODE PER ISO 11469. (2.3)X(0.1) CHARACTERS AS SHOWN TO BE LOCATED ON ANY EXTERIOR SURFACE. OPTIONAL CONSTRUCTION TO BE NO MAT'L RECYCLING CODE.
- (2.3)X(0.1) DELPHI CORPORATE BRAND TO BE LOCATED ON ANY EXTERIOR SURFACE, PREFERABLY VISIBLE AT FINAL ASSEMBLY. OPTIONAL CONSTRUCTION FOR EXISTING TOOLING MAY BE "PED".
- FOR APPLICATION DATA SEE THE INDIVIDUAL APPLICATION DRAWINGS.
- THIS PRODUCT IS NOT CATEGORIZED AS AN APPEARANCE ITEM, MINOR IMPERFECTIONS INCLUDING, BUT NOT LIMITED TO, FLOW MARKS, COLOR BLEMISHES, GATE VESTIGE, AND SOFT FLASH THAT DO NOT AFFECT THE FIT, FORM, OR FUNCTION OF THE PART ARE PERMISSIBLE PER DPNP-4.7-CS-01.



PART NO	REV	N/P	STATUS	TYPE	MATERIAL SPECIFICATION AND COLOR	REFERENCE	VOL CM ³
15417946	01	AE		103	POLYAMIDE COMPOUND GRAY		7.028
15300032	D9	-		102	POLYAMIDE COMPOUND GRAY		6.998
15300002	D9	-		101	POLYAMIDE COMPOUND BLACK	REINSHAGEN P/N AK6127	6.968

DIMENSIONAL RANGE (MM)		TOLERANCE UNLESS OTHERWISE SPECIFIED	
FROM	TO	TOLERANCE	ANGULAR TOLERANCE
> 0	> 20	±0.15	±2°
> 20	> 30	±0.2	
> 30	> 70	±0.3	
> 70	> 100	±0.4	
> 100	> 150	±0.5	
> 150	> 200	±0.6	
> 200	> 250	±0.8	
> 250	> 300	±1	
> 300	> 400	±1.2	

DWG TYPE: PART DRAWING

STYLE: SEE CHART

VOLUME (CM³): SEE CHART

DISTR CODE: D

UNLESS OTHERWISE SPECIFIED
THIS DOCUMENT IS IN ACCORDANCE WITH ASME Y14.5M-1994 AS AMENDED BY THE GM GLOBAL DIMENSIONING AND TOLERANCING ADDENDUM-2001. SEPARATE PATTERNS OF FEATURES MAY BE GAGED SEPARATELY REGARDLESS OF DATUM REFERENCES.

ALL DIMENSIONS ARE IN MILLIMETERS

THIRD ANGLE PROJECTION

DO NOT SCALE

USE MATH DATA

9 PROCESS SENSITIVE DIMENSION

DIMENSIONS ENCLOSED IN () INDICATE REFERENCE DIMENSIONS AND NO TOLERANCE LIMITS ARE ESTABLISHED

CHART E1

DELPHI

DELPHI PACKARD ELECTRICAL/ELECTRONIC ARCHITECTURE
WARREN, OH

DR	DATE
APVD1 J. ZAMUDIO	12MY00
APVD2 G. MACIAS	12MY00
APVD3 D. NAVARRO	12MY00
APVD4	
APVD5	

SUBSTANCES OF CONCERN AND RECYCLED CONTENT PER DELPHI 10949001

MATERIAL SEE CHART

DRAWING NAME: TAXI CONN M M/P 280 SLD

DRAWING NUMBER: 15300033

SIZE	SCALE	FRAME NO	SHEET NO	STG	REV	N/P
A1	2:1	1 OF 1	1 OF 1	R	10	-