

Type 153 Series Manual Reset Circuit Breaker Automotive Type III High Current - Waterproof



www.optifuse.com

(619) 593-5050

Specifications:

Voltage: 42 VDC Maximum (32VDC – cURus approved)
Amperage: 25A, 30A, 40A, 50A, 60A, 70A, 80A, 90A, 100A,
 120A, 135A, 140A, 150A, 180A, 200A

Interrupting Rating: 3000A @ 30VDC

IP Rating: IP67

Material:

Frame: Thermoset Plastic, UL rated 94-V0

Stud Insulators: EPDM plastic

Mounting Torque: 40in-lb Max.

Stud Torque: 50in-lb Max.

ABYCE-11 compliant

Operating Temperature: -32°C to 92°C

Storage Temperature: -34°C to 149°C

Designed to meet: SAE J1625, SAE J1171, UL1500(Ignition Protected)

Agency Standards and Listings:



50A – 150A @ 32VDC

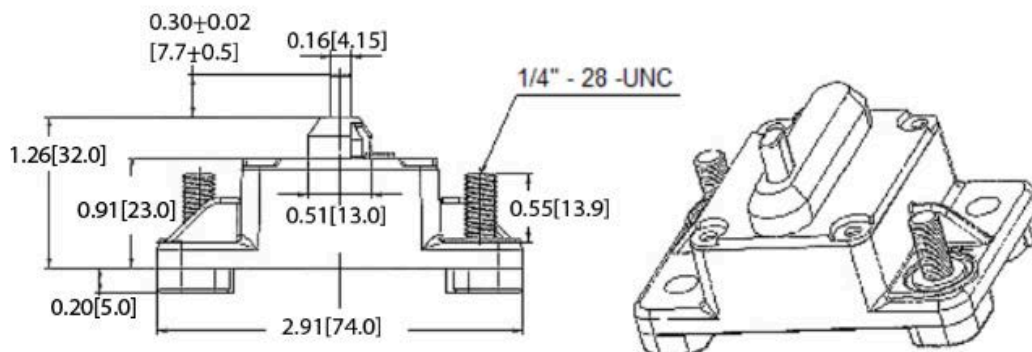
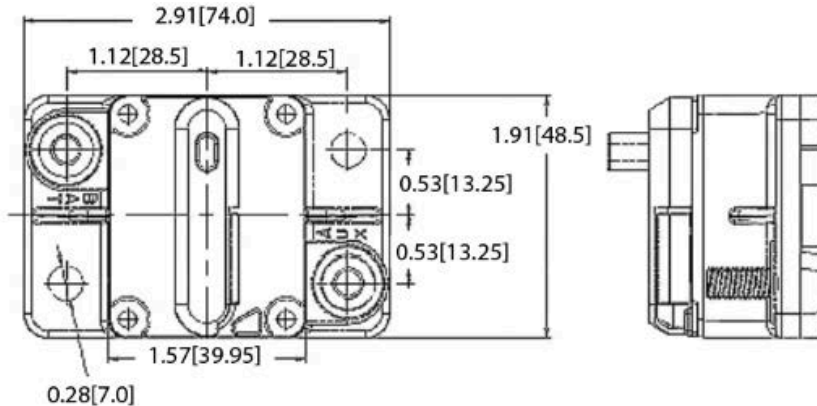
Mechanical Dimensions: Inches [mm]

Part number format

153xxx

Where xxx = Amperage

025 through 200



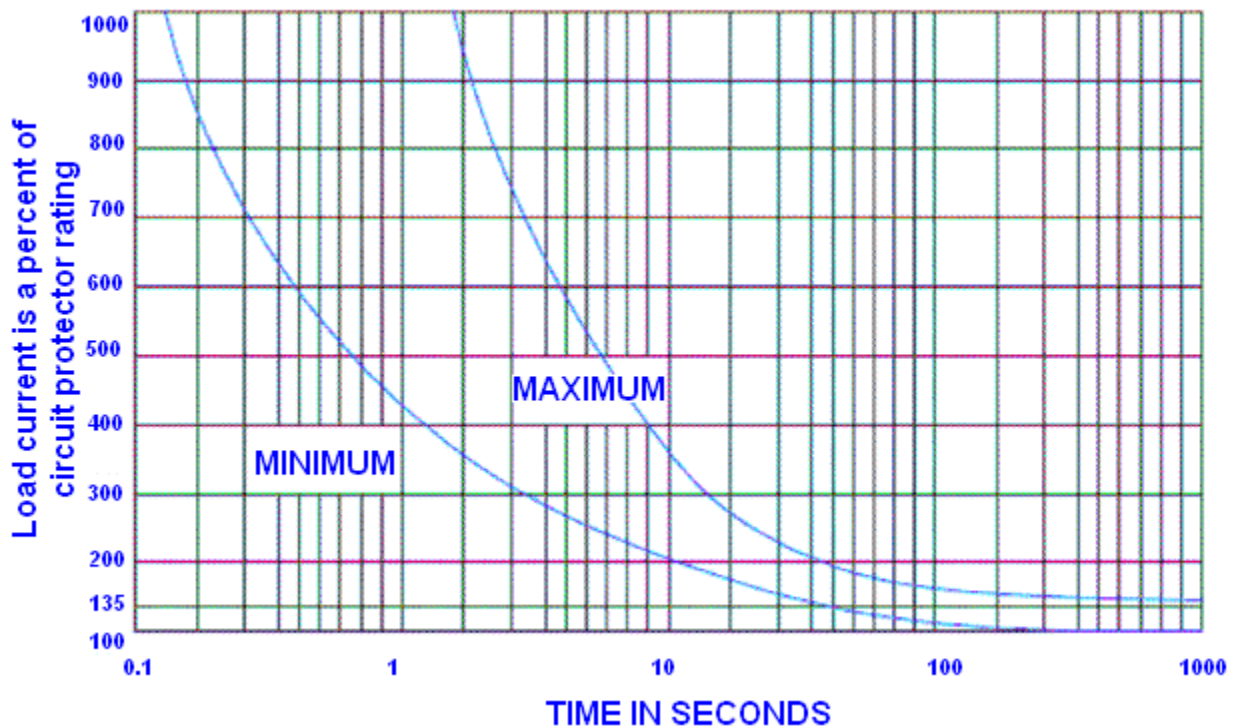
Note: All specifications subject to change without notice.

**Type 153 Series
Manual Reset Circuit Breaker
Automotive Type III
High Current - Waterproof**



www.optifuse.com (619) 593-5050

Time Characteristics:		
% of Rated Current	Min Hold Time	Max Hold Time
100%	No Trip	
135%		30m
200%	12s	45s
300%	3.5s	15s



	<p>Warning: -Operation beyond the specified maximum ratings or improper use may result in damage and possible electrical arcing and/or flame.</p>
	<p>-Device are intended for occasional overcurrent protection. Application for repeated overcurrent condition and/or prolonged trip are not anticipated.</p> <p>-Avoid contact of device with chemical solvent. Prolonged contact will damage the device performance.</p>

Note: All specifications subject to change without notice.

**Type 153 Series
Manual Reset Circuit Breaker
Automotive Type III
High Current - Waterproof**



www.optifuse.com

(619) 593-5050

De-Rating Curve
Ambient Compensation

