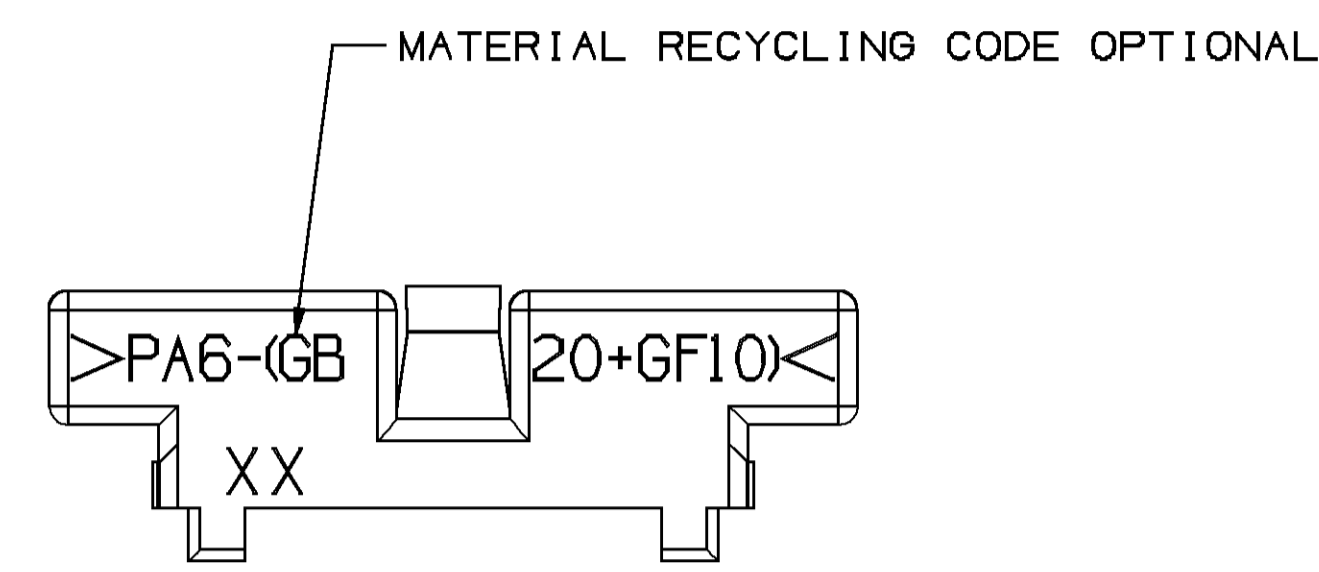
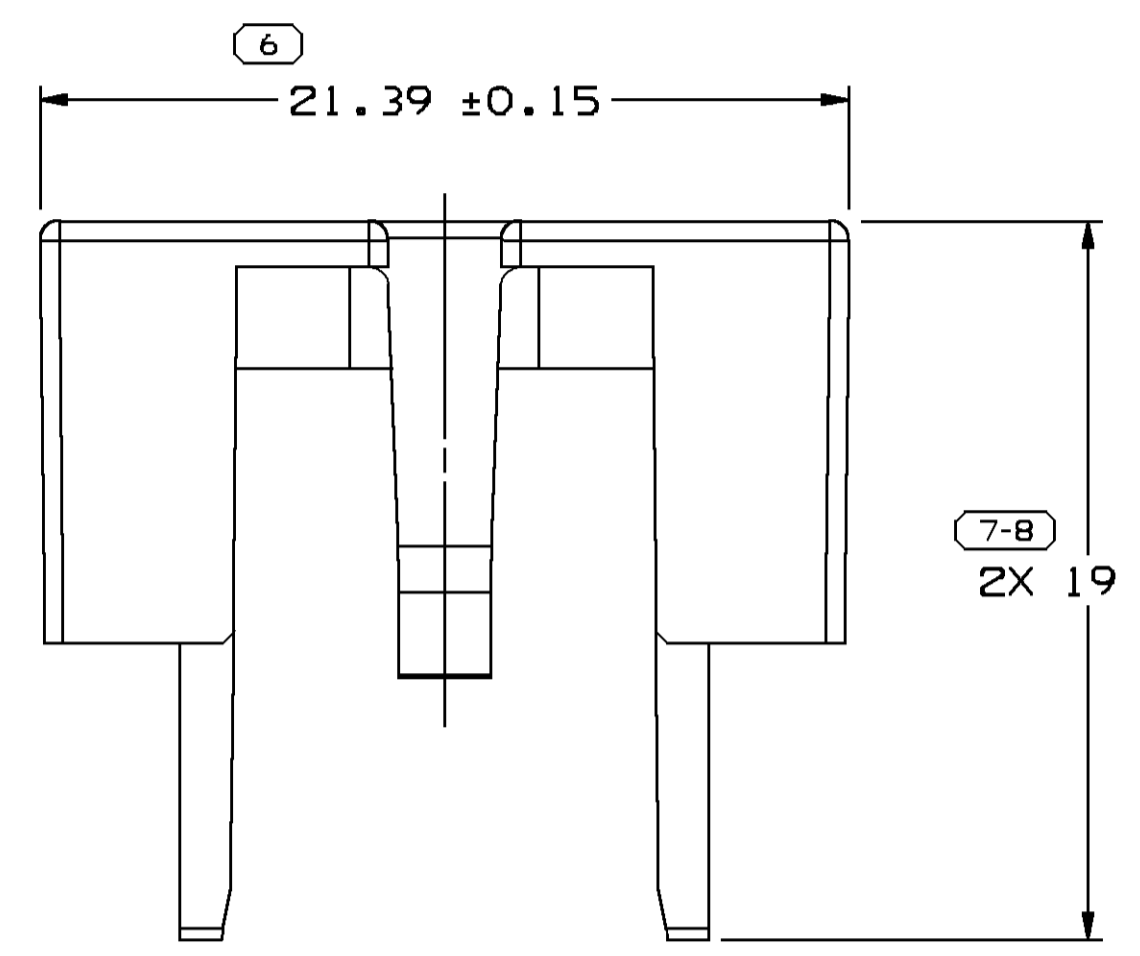
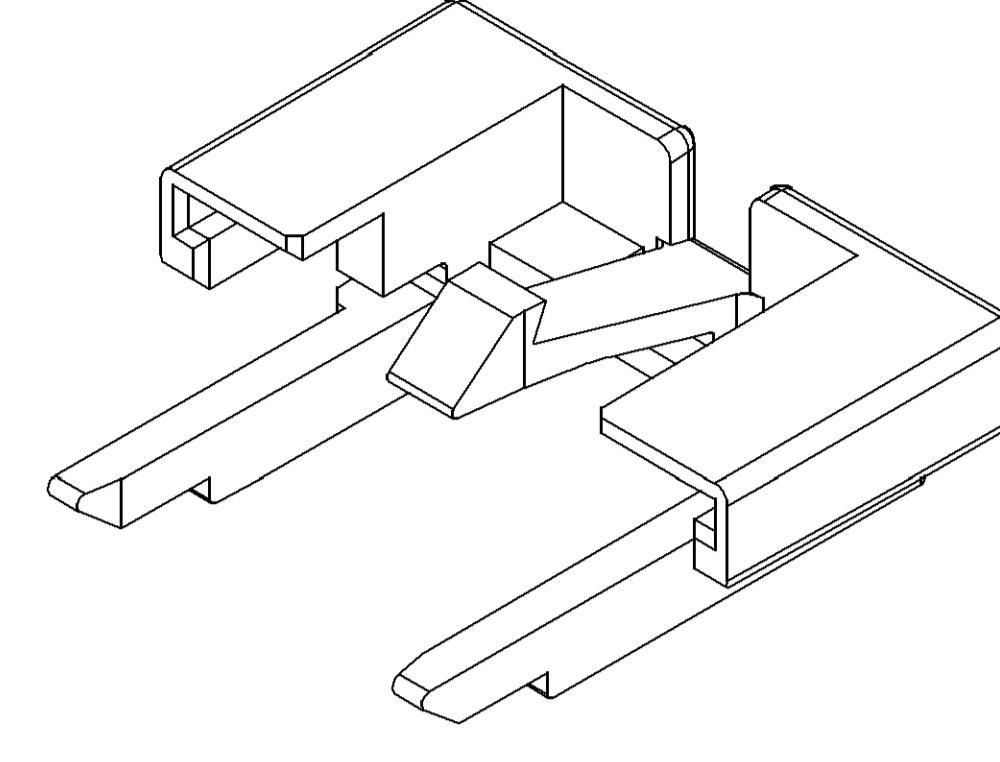
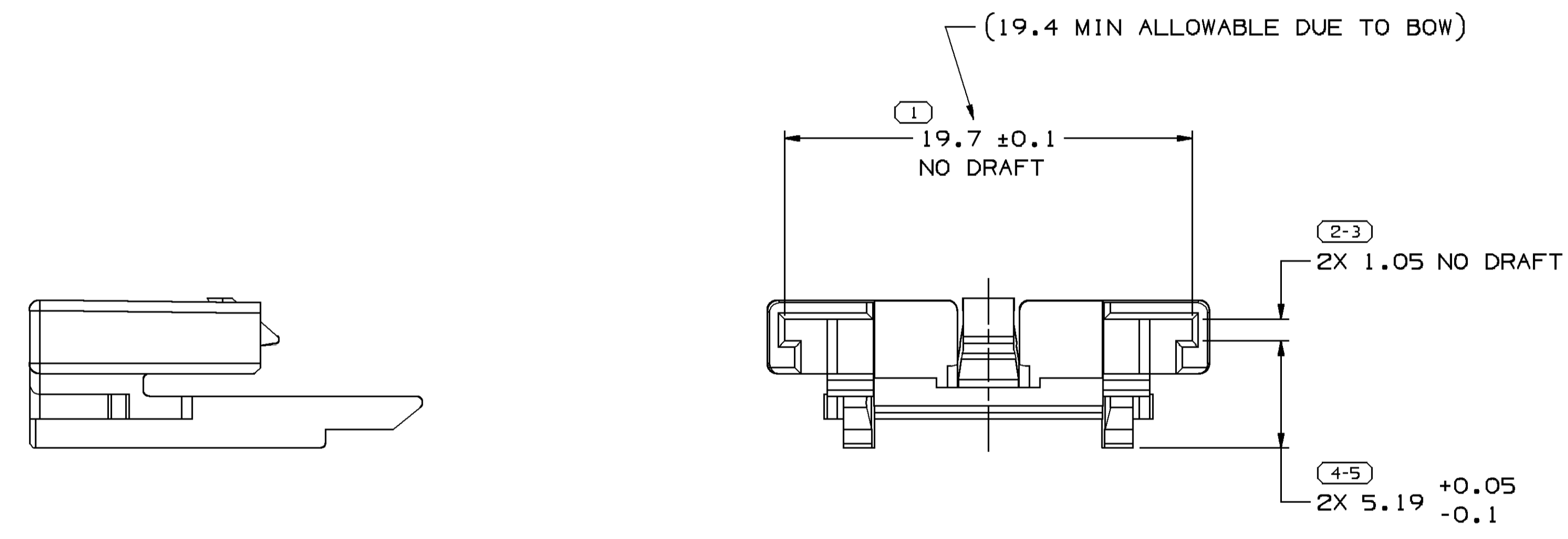


SYMBOL DEFINITION		MISSING NUMBERS	
A DIMENSION WITHOUT AN INSPECTION REPORT SYMBOL ( ) DOES NOT REQUIRE INSPECTION. IT MAY BE CONTROLLED ON AN INDIVIDUAL COMPONENT DRAWING.	TOTAL NO. OF SYMBOLS ON DRAWING	7	
	LAST NO. USED	10	

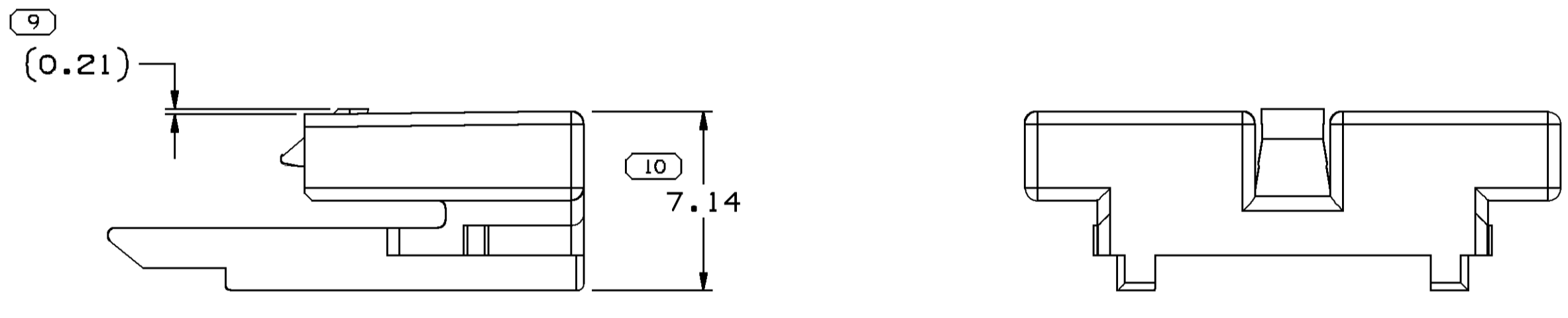
DWS STATUS				REVISION HISTORY				AUTH		DR		APVD	
DATE	STG	REV	N/P	CHG	ZONE								
29M102	R	11	-	-	-	CLEARED REV COLUMN: 15405481 - REVISED GRAPHICS: M3571006 WAS PM003571 006, M2965008 WAS PM002965 008, M3571003 WAS PM003571 003; REVISED NOTES				226118	CJP	CJP	MB
18JL03	R	12	-	-	-	ALL PARTS - UPDATED PDM ATTRIBUTES				243602	JVM	JVM	AD
25JN04	R	13	-	-	-	ALL PARTS - UPDATED PDM ATTRIBUTES				256385	JTV	FKV	MDM
13JL05	R	14	-	-	-	15317832 - UPDATED PDM ATTRIBUTES AND ADDED FORD PRINT				270016	JBD	JVM	CSD
14AU07	R	15	-	-	-	13662316 - RELEASED; ALL ACTIVE PARTS - ADDED NOTE 51 REVISED NOTE 3				402095	RH	RH	TAV
18N008	R	16	-	-	-	13662316 - OBSOLETE				406806	JTZ	FKV	TAV
13JL09	R	17	-	-	-	15317832 - UPDATED PDM ATTRIBUTES				408351	MAL	FKV	DSE
01FE11	R	18	-	-	-	15401975 - INACTIVE				413221	AGM	JAA	VMR
29AP11	R	19	-	-	-	13883678 - RELEASED				414084	JCF	JAA	VMR



TYPE 103  
SAME AS TYPE 102  
EXCEPT AS SHOWN



TYPE 102



NOTES

- UNLESS OTHERWISE SPECIFIED AND/OR INDICATED:  
DIMENSIONS ARE TO FACE OF VIEW SHOWN AND AUTOMATICALLY ROUNDED BY COMPUTER FOR INSPECTION. (SEE MATH MODEL FOR PRECISE DIMENSIONS.) FOR ALL OTHER DIMENSIONS NOT SHOWN BUT REQUIRED FOR TOOL BUILD, SEE MATH MODEL FOR PRECISE TOOL PATH DATA.
- THIS PART IS NOT CONTROLLED FOR AUTOMATIC FEEDING.
- MATERIAL RECYCLING CODE PER ISO 11469. (1.2)X(0.1) CHARACTERS AS SHOWN TO BE LOCATED ON ANY EXTERIOR SURFACE. OPTIONAL CONSTRUCTION TO BE NO MATERIAL RECYCLING CODE.
- (2.3)X(0.1) DELPHI CORPORATE BRAND TO BE LOCATED ON ANY EXTERIOR SURFACE, PREFERABLY VISIBLE AT FINAL ASSEMBLY. OPTIONAL CONSTRUCTION FOR EXISTING TOOLING MAY BE "PED" OR NO LOGO.
- THIS PRODUCT IS NOT CATEGORIZED AS AN APPEARANCE ITEM, MINOR IMPERFECTIONS INCLUDING, BUT NOT LIMITED TO, FLOW MARKS, COLOR BLEMISHES, GATE VESTIGE, AND SOFT FLASH THAT DO NOT AFFECT THE FIT, FORM, OR FUNCTION OF THE PART ARE PERMISSIBLE PER DPNP-4.7-CS-01.

PART NO	REV	N/P	STATUS	TYPE	MATERIAL SPEC & COLOR	REPLACED BY	VOL
13883678	01	-	-	102	POLYAMIDE COMPOUND ORANGE	-	0.559
13662316	01	AA	OBSOLETE	102	POLYAMIDE COMPOUND GRAY	-	0.559
15405481	04	AA	-	103	POLYAMIDE COMPOUND YELLOW	-	0.559
15401975	02	AB	INACTIVE	102	POLYAMIDE COMPOUND BLUE	-	0.559
15317832	07	AC	-	102	POLYAMIDE COMPOUND GRAY	-	0.559
15317629	05	-	OBSOLETE	101	POLYAMIDE COMPOUND PURPLE	15317832	0.559

DIMENSIONAL RANGE (MM)	CHART	EST
FROM > 0	> 20	> 30
TO 20	30	70
	100	150
	200	250
	300	400

UNLESS OTHERWISE SPECIFIED  
TOLERANCE UNLESS OTHERWISE SPECIFIED  
ANGULAR TOLERANCE ±2°

**DELPHI**  
DELPHI PACKARD ELECTRICAL/ELECTRONIC ARCHITECTURE  
WARREN, OH

DATE: \_\_\_\_\_

OR  
APV01 R. D'ANDREA 25N096  
APV02 R. D'ANDREA 25N096  
APV03 ED ARANGO 12DE96  
APV04  
APV05

SUBSTANCES OF CONCERN AND RECYCLED CONTENT PER DELPHI-1094001

MATERIAL SEE CHART

DRAWING NAME  
TAXI LOCK CPA AXIAL

DRAWING NUMBER  
15317831

SIZE: A0 SCALE: 5:1 FRAME NO: 1 OF 1 SHEET NO: 1 OF 1 STG: R REV: 19