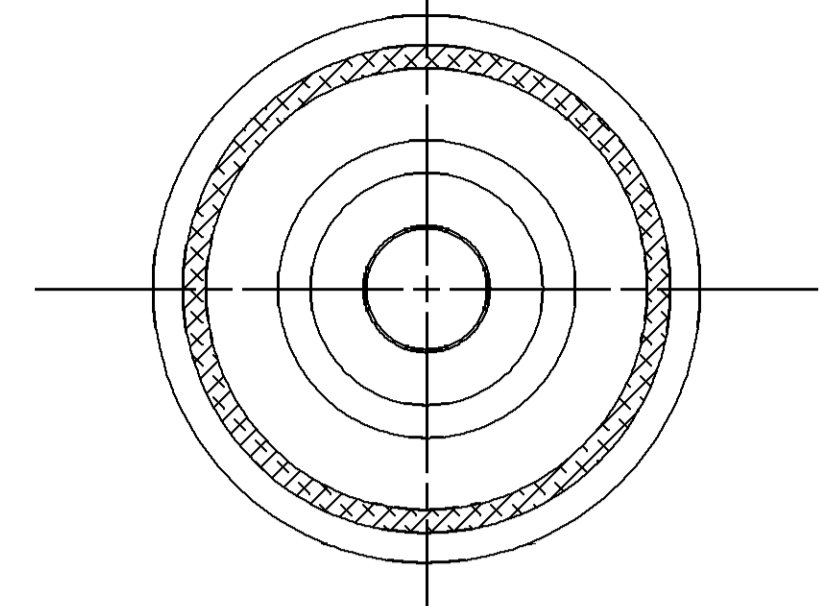
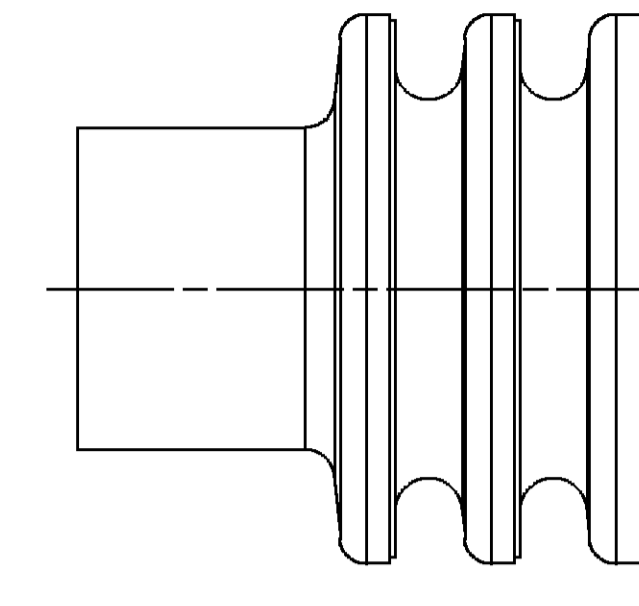
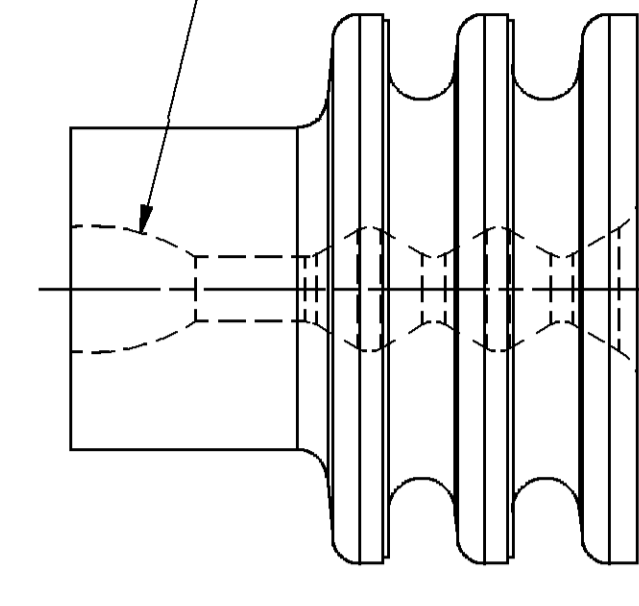


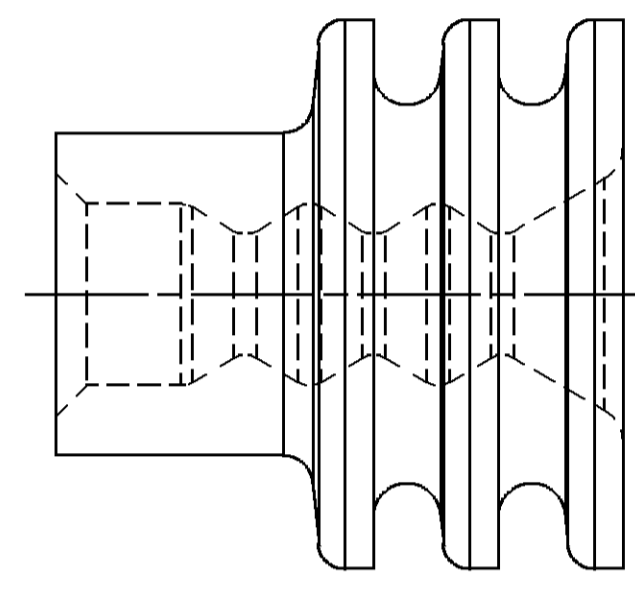
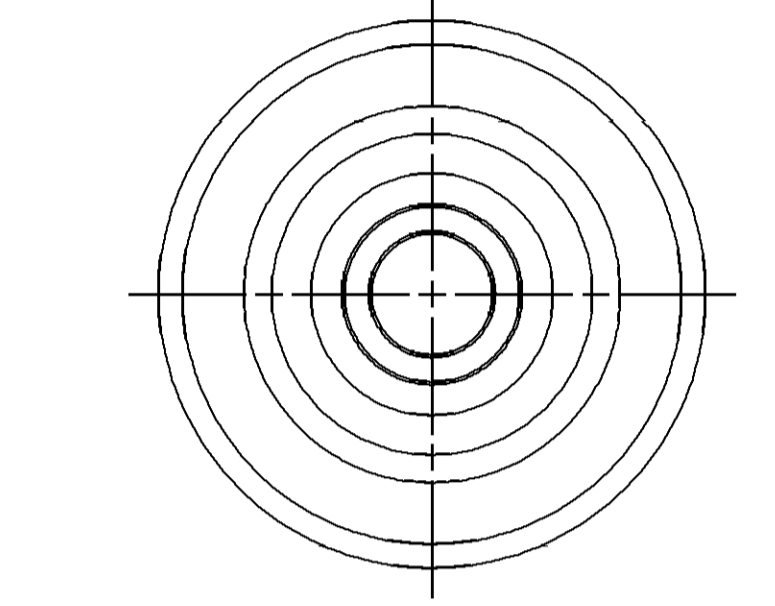
SYMBOL DEFINITION		TOTAL NO OF INSPECTIONS REQUIRED	
A DIMENSION WITHOUT AN INSPECTION REPORT SYMBOL DOES NOT REQUIRE INSPECTION. IT MAY BE CONTROLLED ON THE INDIVIDUAL COMPONENT DRAWING.		5	
LAST NO. USED		7	

DATE	REV	REV	REV	REV	ZONE	REVISION HISTORY	AUTH	DR	APVD
150C99	R	001	-	-	-	CLEARED REV COLUMN & 12146012 - OBSOLETE	990003	JHN	JVM/LRT
27JA00	R	002	-	-	-	15324980 - 85 - RELEASED	000005	JLZ	GMC/RH
07N000	R	003	-	-	-	15324980-85 - REVISED	202978	JLZ	EAR/JR
10MR04	R	04	-	-	-	12010293, 12015193, 12015323, 12041351 & 12089679 REVISED PER NIN EWO BOLTS; ALL PARTS - UPDATED MATERIAL SPECS	251237	RH	RH/MR
21JN04	R	05	-	-	-	ADDED "ALTERNATE MATERIAL SPECIFICATION" TO CHART. ADDED PART NUMBERS 15497745-15497746, 15497754-15497755, AND 15497756-15497757.	256100	LLJ	LLJ/MR
09MR05	R	06	-	-	-	12010293, 12015193, 12015204, 12015323, 12015359-60, 12015899, 12034365, 12041351-52, 12089444, 12089679, 15497745-86 AND 15497754-57 - RESTRICTED; 15324980-85 - MAT'L SPEC WAS M3469; ALL ACTIVE PARTS - REVISED NOTES AND REMOVED Ø C DIM FOR TYPE 102	265538	JBD	JAA/MR
01FE06	R	07	-	-	-	UPDATED PDM ATTRIBUTES	276580	TS	TS/EJH
22FE06	R	08	-	-	-	15324980-85 - MAT'L SPEC WAS M3469	276914	JBD	JVM/MPR
03AU06	R	09	-	-	-	ALL ACTIVE PARTS - UPDATED MAT'L SPEC; ADDED ALTERNATE MAT'L SPEC, OPTIONAL CONSTRUCTION "3" & "2" VIEWS, SEALING RIBS VIEWS, OVERALL LENGTH NOTE & SEALING SURFACE NOTE AND DIMS (25LCS1); REMOVED OPTIONAL CONSTRUCTION VIEWS AND REVISED TOLERANCE DIM 6	283299	JBD	FRG/MPR
03OC06	R	10	-	-	-	ALL ACTIVE PARTS - REMOVED INSPECTION SYMBOLS NUMBER 4 & 5; REVISED PROCESS SENSITIVE DIM AND SEALING RIBS LABEL	284959	JBD	FRG/MPR
08JA07	R	11	-	-	-	15363991, 15363980, 15338470 & 10717459 - ADDED PART NUMBERS AS MYLAR ASSEMBLIES	400035	JTV	FRG/MPR
20FE09	R	12	-	-	-	13735522 - RELEASED	407387	JBD	AUG/MPR
17MR09	R	13	-	-	-	15324982 - ADDED OPTIONAL CONSTRUCTION 4; 15324980-01, 15324983 AND 15324985 - UPDATED PDM ATTRIBUTES	407510	JTZ	FKV/MPR
24JL09	R	14	-	-	-	12010293, 12015193, 12015323, 12015899, 12041351 & 12089679 - UPDATED PDM ATTRIBUTES	408462	ECB	AUG/MPR
24AU09	R	15	-	-	-	15497756 - UPDATED PDM ATTRIBUTES	408722	JTZ	FKV/P6D
13NO09	R	16	-	-	-	15497756 - UPDATED MAT'L SPEC.	409474	AUG	AUG/DJS
15JN10	R	17	-	-	-	10717640, 12015204, 12015359-60, 12034365, 12041352, 12089444, 12146012, 15338470, 15363980, 91, 15497746, 55 & 57 - MOVED TO SHEET 6; 12010293, 12015193, 12015323, 12041351 & 12089679 - OBSOLETE AND ADDED "REPLACED BY" COLUMN ON CHART	411067	AGM	JAA/MPR
16JN11	R	18	-	-	-	ALL ACTIVE PARTS - UPDATED PDM ATTRIBUTES	414587	BLG	BLG/ACM
29NO13	R	19	-	-	-	33140215 - RELEASED	424733	APB	EGH/EGH
07MY14	R	20	-	-	-	33140215 - CABLE OD WAS 2.73-2.05	426493	EGH	EGH/EGH

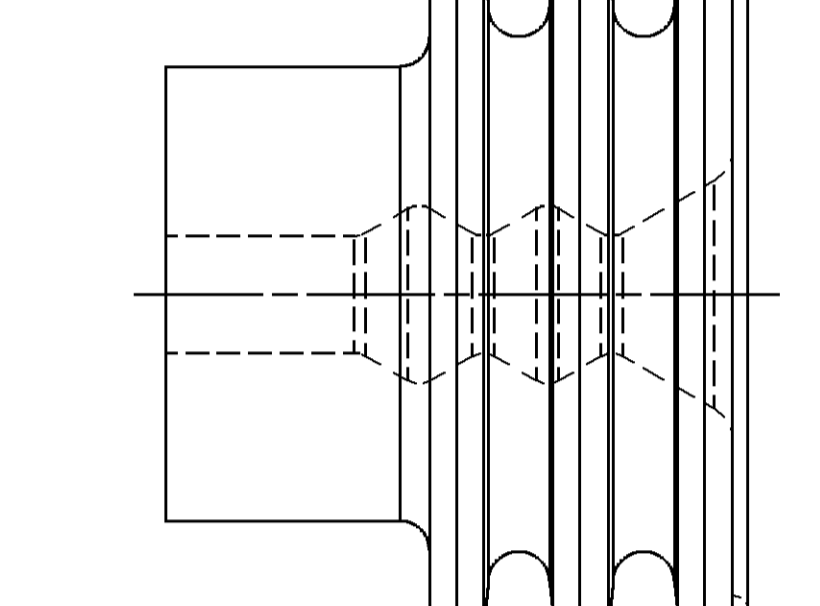
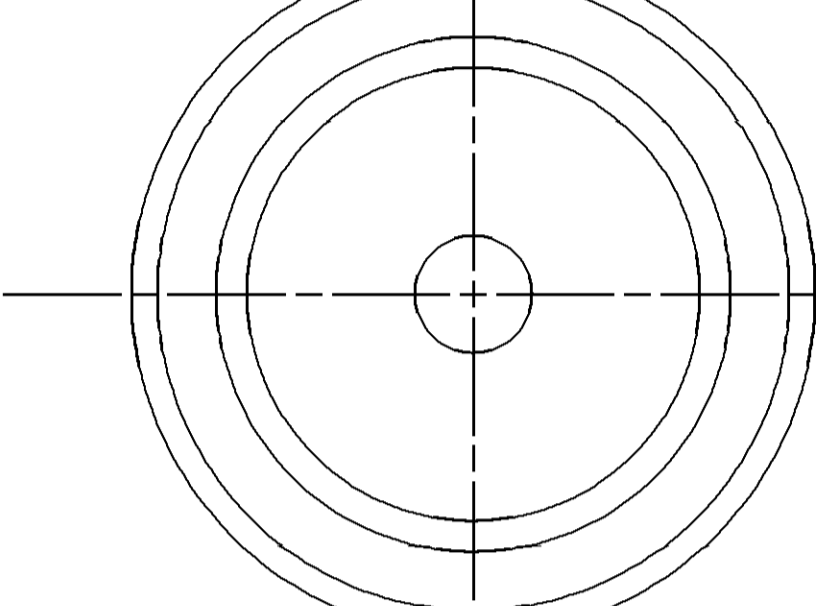
OPTIONAL CONSTRUCTION 1
TYPE 103 ONLY



OPTIONAL CONSTRUCTION 2
(ANTI-STICK RING)

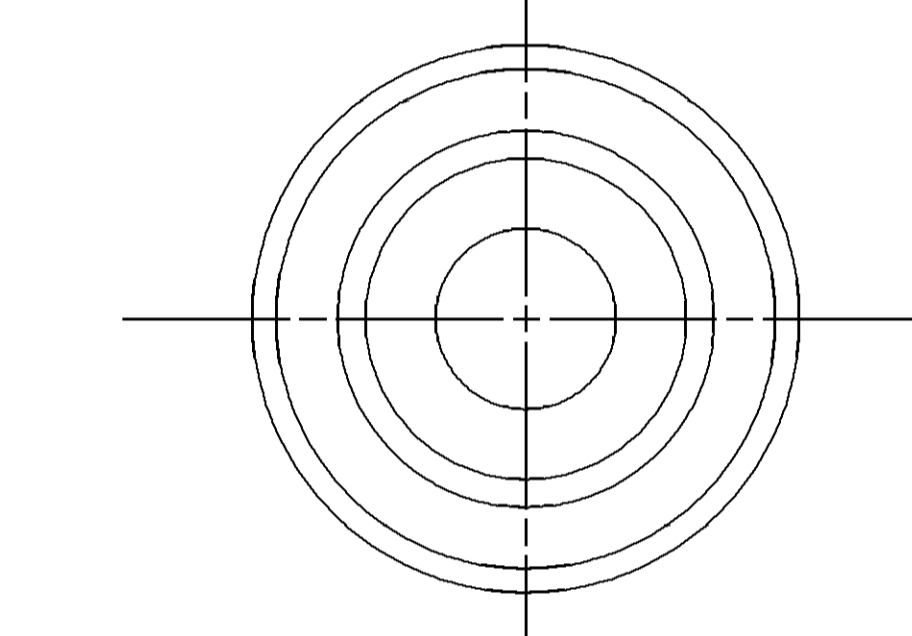
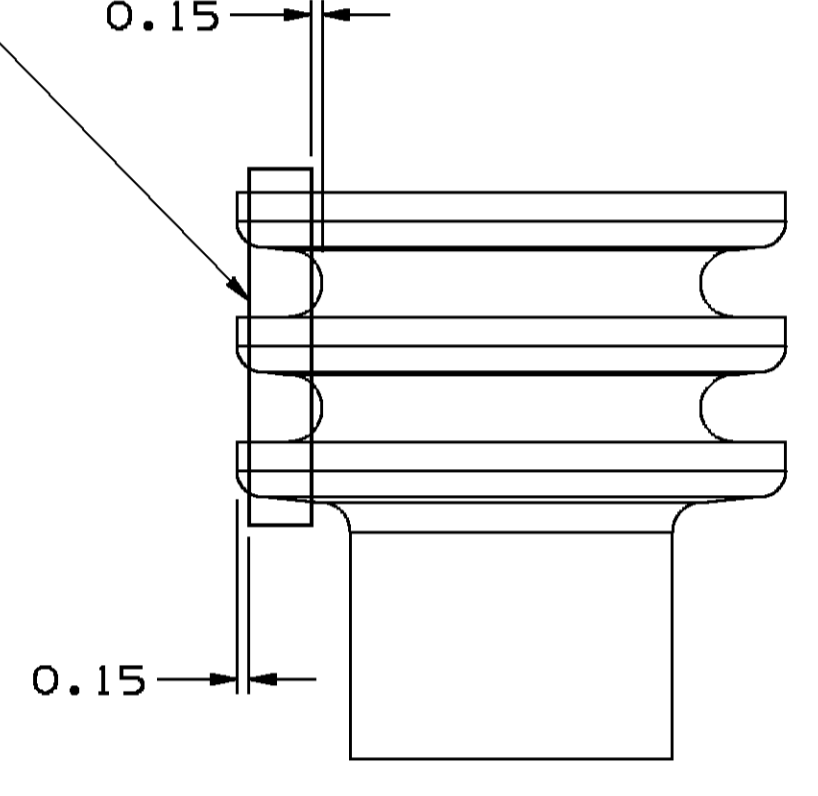


OPTIONAL CONSTRUCTION 4
TYPE 101 (15324982) ONLY

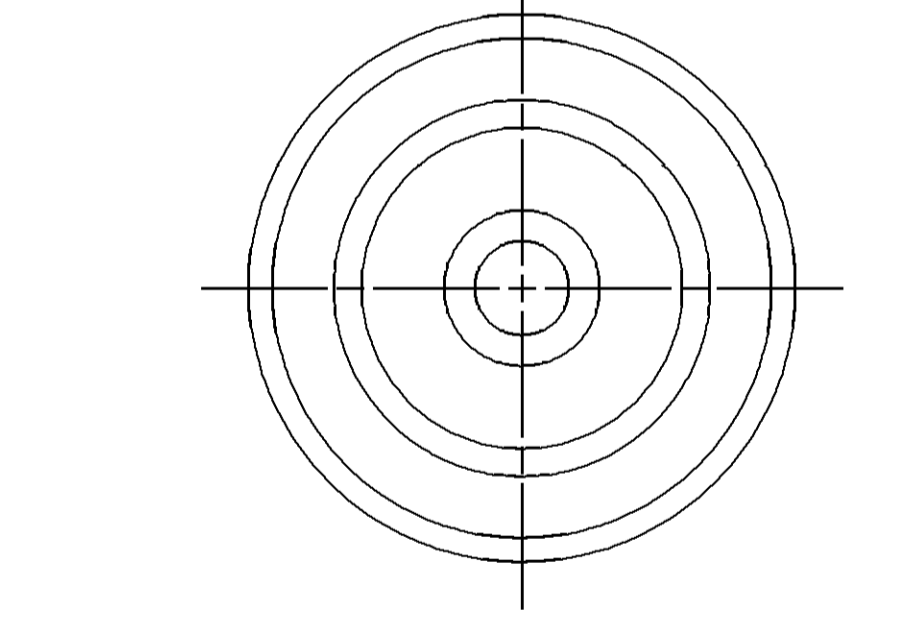


OPTIONAL CONSTRUCTION 3
THIS IS THE PREFERRED CONSTRUCTION FOR NEW TOOL BUILDS
(ANTI-STICK RING)

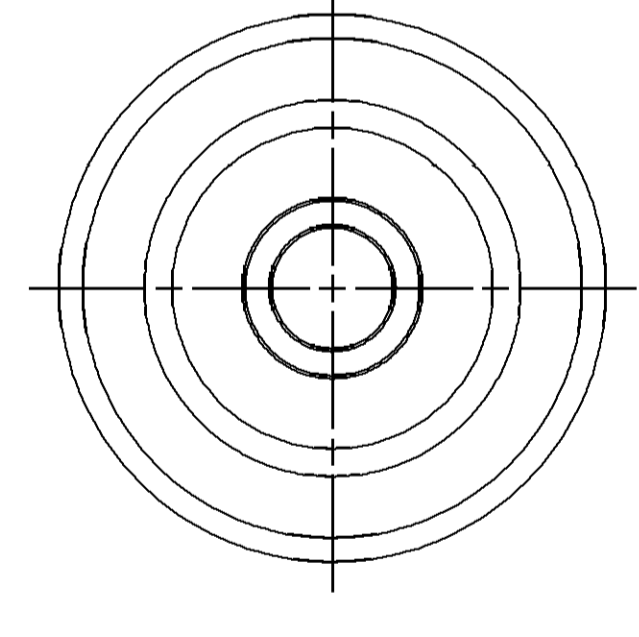
SEALING RIBS MUST BE FREE OF SINKS, VOIDS, KNIT LINES AND FLASH, IN THE AREA SHOWN ALL AROUND PART.
SEE VPS A-121 FOR ADDITIONAL INFORMATION



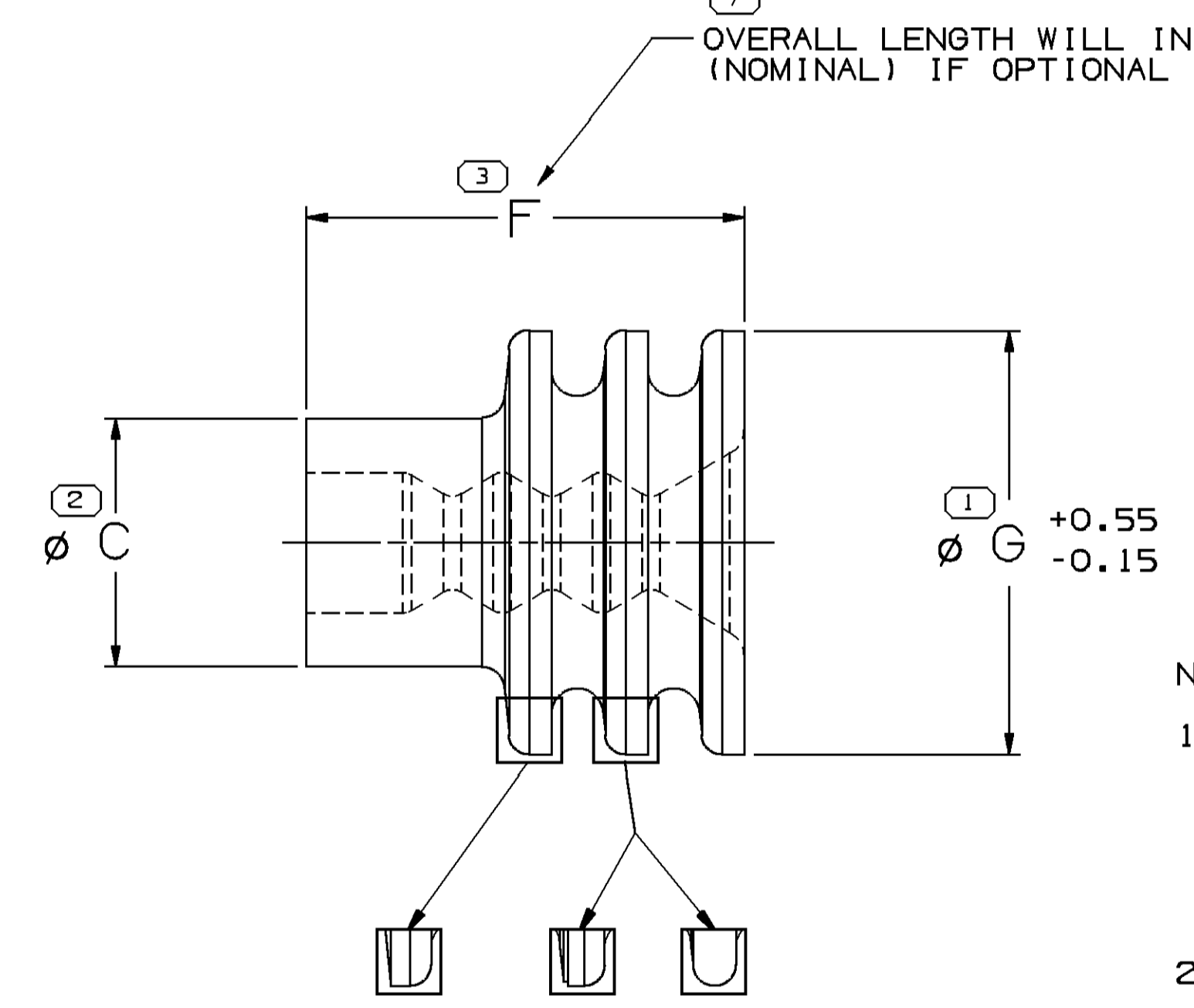
TYPE 102
SAME AS TYPE 101
EXCEPT FOR INTERNAL SEALING FEATURES



TYPE 103
SAME AS TYPE 101
EXCEPT FOR INTERNAL SEALING FEATURES



TYPE 101



SEALING RIBS MAY DIFFER AS SHOWN

- NOTES
- UNLESS OTHERWISE SPECIFIED AND/OR INDICATED: DIMENSIONS ARE TO FACE OF VIEW SHOWN AND AUTOMATICALLY ROUNDED BY COMPUTER FOR INSPECTION (SEE MATH MODEL FOR PRECISE DIMENSIONS). FOR ALL OTHER DIMENSIONS NOT SHOWN BUT REQUIRED FOR TOOL BUILD, SEE MATH MODEL FOR PRECISE TOOL PATH DATA.
 - PARTS ARE TO BE PACKAGED IN SEALED PLASTIC BAGS. GROSS WEIGHT INCLUDING CARTON IS NOT TO EXCEED 34 POUNDS.
 - TO IMPROVE SEAL PROCESSING ON SLIPPERY OR SMOOTH CABLE INSULATION, THE APPLICATION ENGINEER MAY SPECIFY THE NEXT SMALLER SEAL SIZE P/N IN PLACE OF THE INDICATED SEAL FOR THE "CABLE O.D." LISTED IN THE CHART.
 - FOR P/N'S 12041351 AND 15324984 ONLY, THESE SEALS RECOMMENDED FOR USE ON 1 MM² THIN WALL CABLE O.B MM² REGULAR WALL ETFE CABLE.
 - THIS PRODUCT IS NOT CATEGORIZED AS AN APPEARANCE ITEM. MINOR IMPERFECTIONS INCLUDING, BUT NOT LIMITED TO, FLOW MARKS, COLOR BLEMISHES, GATE VESTIGE, AND SOFT FLASH THAT DO NOT AFFECT THE FIT, FORM, OR FUNCTION OF THE PART ARE PERMISSIBLE PER DPNP-4.7-CS-01.
 - SEE 12010295 SHEET 6 FOR MYLAR ASSEMBLY INFORMATION.

PART NO	REV	N/P	CABLE SEAL	MATERIAL SPECIFICATION AND COLOR	TYPE	CABLE O.D.	±0.05	SEE NOTE #3	C	F	G	B	CAVITY ID	EQUIVALENT CABLE SEAL	VOLUME	REPLACED BY
33140215	02	-	-	FLUOROSILICONE METHYL/VINYL ORANGE	102	3.49-2.81	4.25	7.5	7.25	6.7	-	-	-	-	0.142	-
13735522	01	AA	-	SILICONE METHYL/VINYL GREEN	102	3.49-2.81	4.25	7.5	7.25	6.7	-	-	-	-	0.142	-
15497756	01	AF	-	SILICONE METHYL/VINYL VIOLET	103	2.15-1.6	4.25	7.5	7.25	6.7	-	-	-	-	0.164	-
15497754	01	AD	-	SILICONE METHYL/VINYL GRAY LT	102	3.49-2.81	4.25	7.7	7.25	6.7	-	-	-	-	0.142	-
15497745	01	AD	-	SILICONE METHYL/VINYL GREEN	101	2.85-2.03	4.25	7.5	7.25	6.7	-	-	-	-	0.150	-
15324985	01	AK	-	SILICONE METHYL/VINYL VIOLET	103	2.15-1.6	4.25	7.5	7.25	6.7	-	-	-	-	0.164	-
15324984	01	AJ	-	SILICONE METHYL/VINYL TAN	102	2.42-2.03	4.25	7.5	7.25	6.7	-	-	-	-	0.162	-
15324983	01	AK	-	SILICONE METHYL/VINYL RED BRN	103	1.7-1.29	4.25	7.5	7.25	6.7	-	-	-	-	0.171	-
15324982	01	AJ	-	SILICONE METHYL/VINYL GREEN	101	2.85-2.03	4.25	7.5	7.25	6.7	-	-	-	-	0.150	-
15324981	01	AK	-	SILICONE METHYL/VINYL BLUE	102	4.3-3.45	4.25	7.5	7.25	6.7	-	-	-	-	0.122	-
15324980	01	AJ	-	SILICONE METHYL/VINYL GRAY	102	3.49-2.81	4.25	7.5	7.25	6.7	-	-	-	-	0.142	-
12129930	C4	-	-	FLUOROSILICONE METHYL/VINYL ORANGE	101	2.85-2.03	4.15	7.3	7.25	6.7	-	-	-	-	0.142	-
12089679	02	AF	-	SILICONE METHYL/VINYL VIOLET	103	2.15-1.6	4.25	7.5	7.25	6.7	-	-	-	-	0.164	15324985
12089443	B2	-	-	SILICONE METHYL/VINYL YELLOW	103	2.15-1.6	4.25	7.5	7.25	6.7	-	-	-	-	-	-
12041351	02	AF	-	SILICONE METHYL/VINYL TAN	102	2.42-2.03	4.25	7.5	7.25	6.7	-	-	-	-	0.162	15324984
12015899	DB	-	-	SILICONE METHYL/VINYL RED DK	103	1.7-1.29	4.25	7.5	7.25	6.7	-	-	-	-	0.171	-
12015323	04	AF	-	SILICONE METHYL/VINYL GREEN	101	2.85-2.03	4.25	7.5	7.25	6.7	-	-	-	-	0.150	15324982
12015193	03	AF	-	SILICONE METHYL/VINYL BLUE	102	4.3-3.45	4.25	7.5	7.25	6.7	-	-	-	-	0.122	15324981
12016293	11	AF	-	SILICONE METHYL/VINYL GRAY	102	3.49-2.81	4.25	7.5	7.25	6.7	-	-	-	-	0.142	15324980
12016117	B2	-	-	SILICONE METHYL/VINYL ORANGE	101	2.8-2.03	4.25	B	7.6	6.7	-	-	-	-	-	-

DIMENSIONAL RANGE (MM)	TOLERANCE	CHART REF
FROM > 0	> 0	> 0
TO > 30	> 30	> 30
> 30	> 30	> 30
> 70	> 70	> 70
> 100	> 100	> 100
> 200	> 200	> 200
> 300	> 300	> 300
> 400	> 400	> 400

THIRD ANGLE PROJECTION	DO NOT SCALE	USE MATH DATA

DELPHI
DELPHI CORPORATION
TAXI SEAL CBL 1W M/P

DATE: 14-Nov-14

12010295

SIZE: A0
SCALE: 1:1
FRAME NO: 1 OF 2
SHEET NO: 1 OF 6
REV: R
N/P: 20