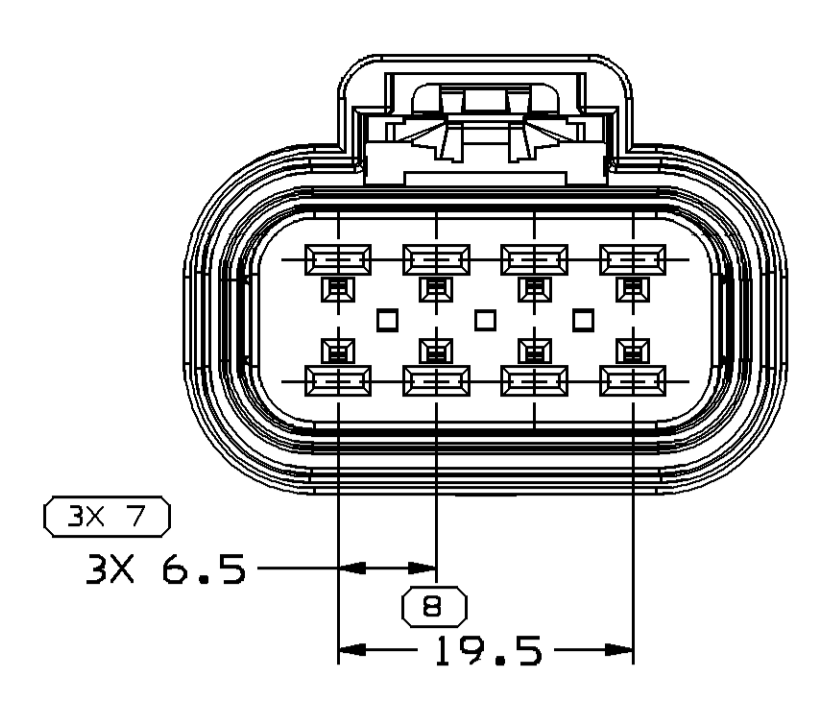
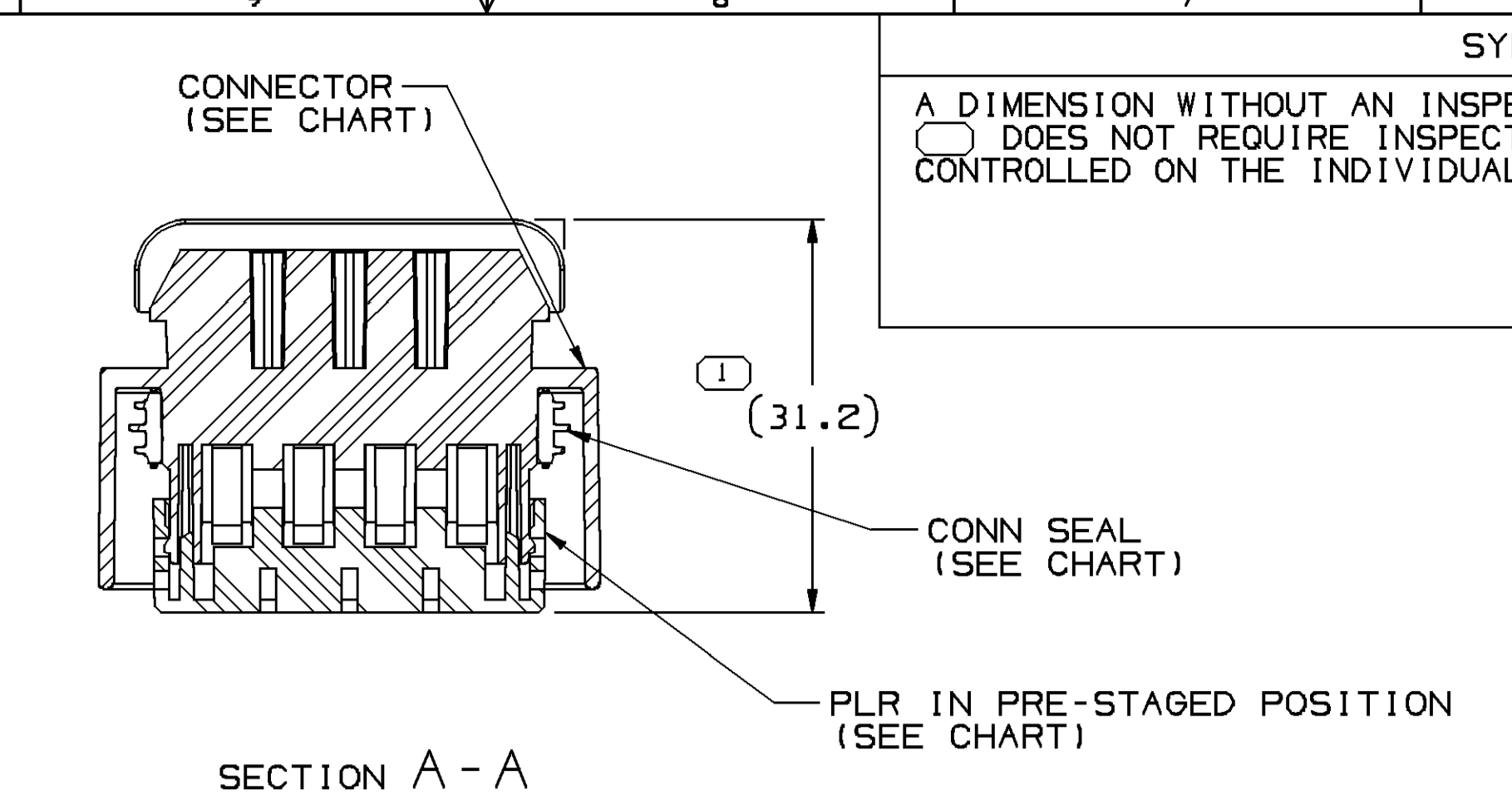


TYPE 110
SAME AS TYPE 108
EXCEPT AS SHOWN

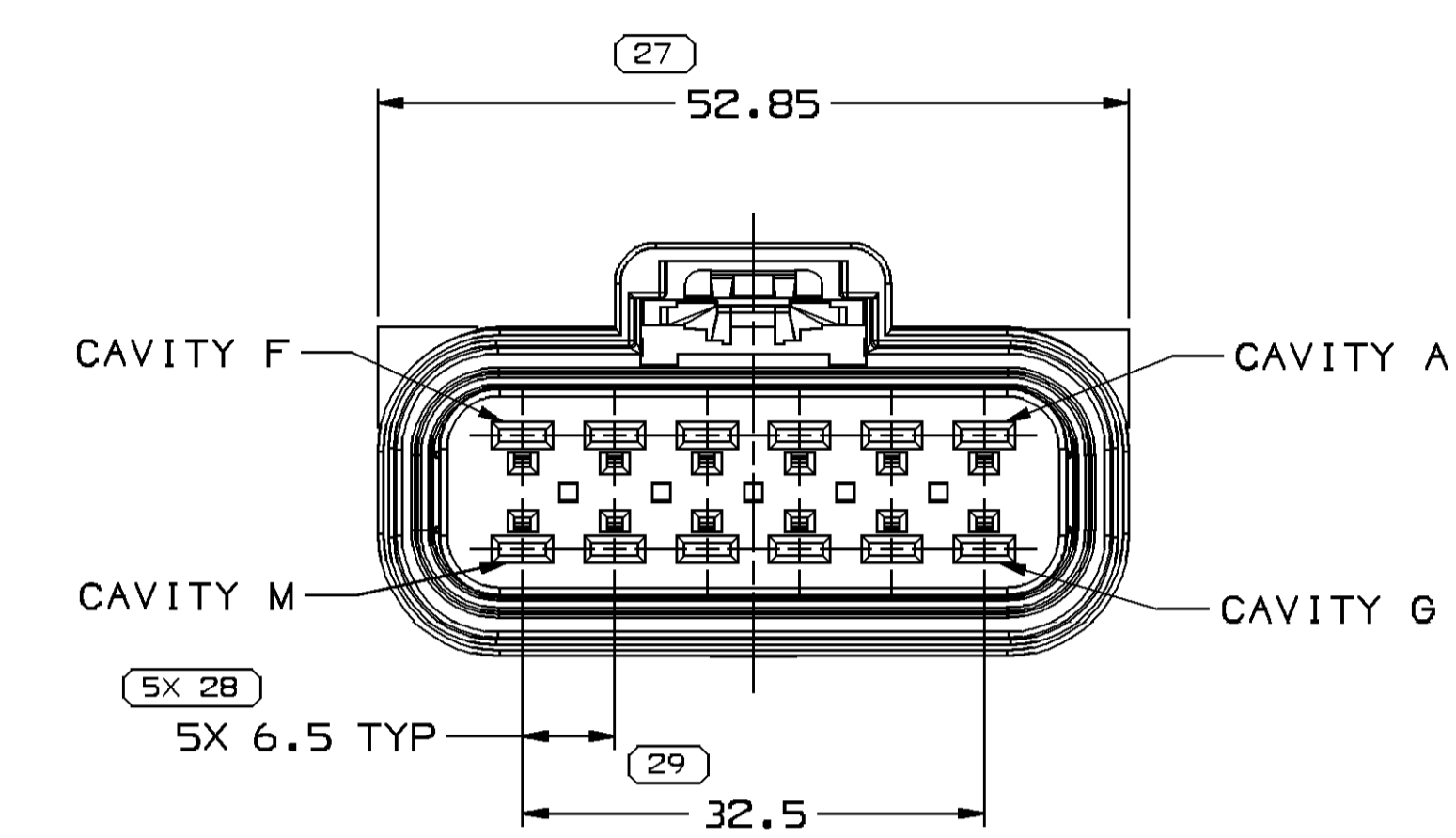
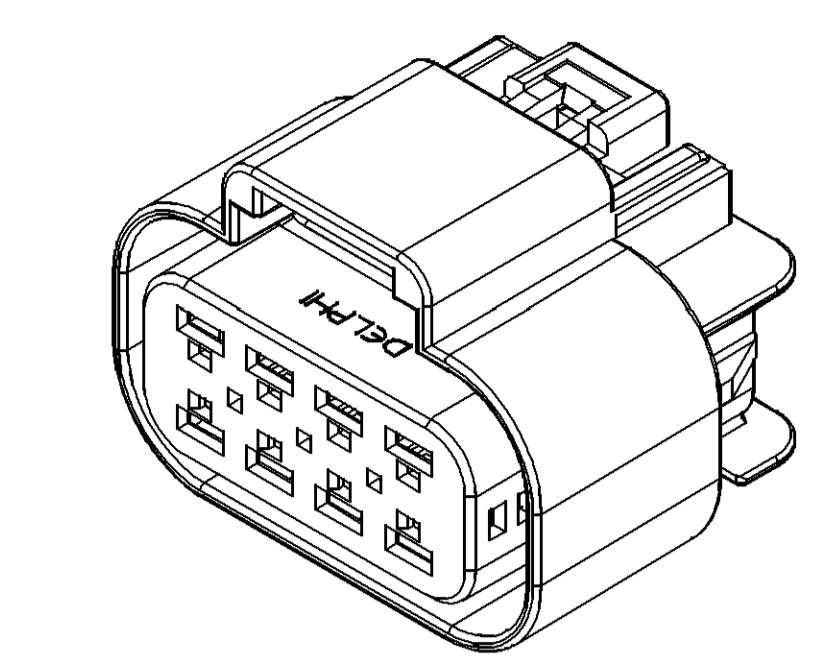


TYPE 208
SAME AS TYPE 108
EXCEPT AS SHOWN

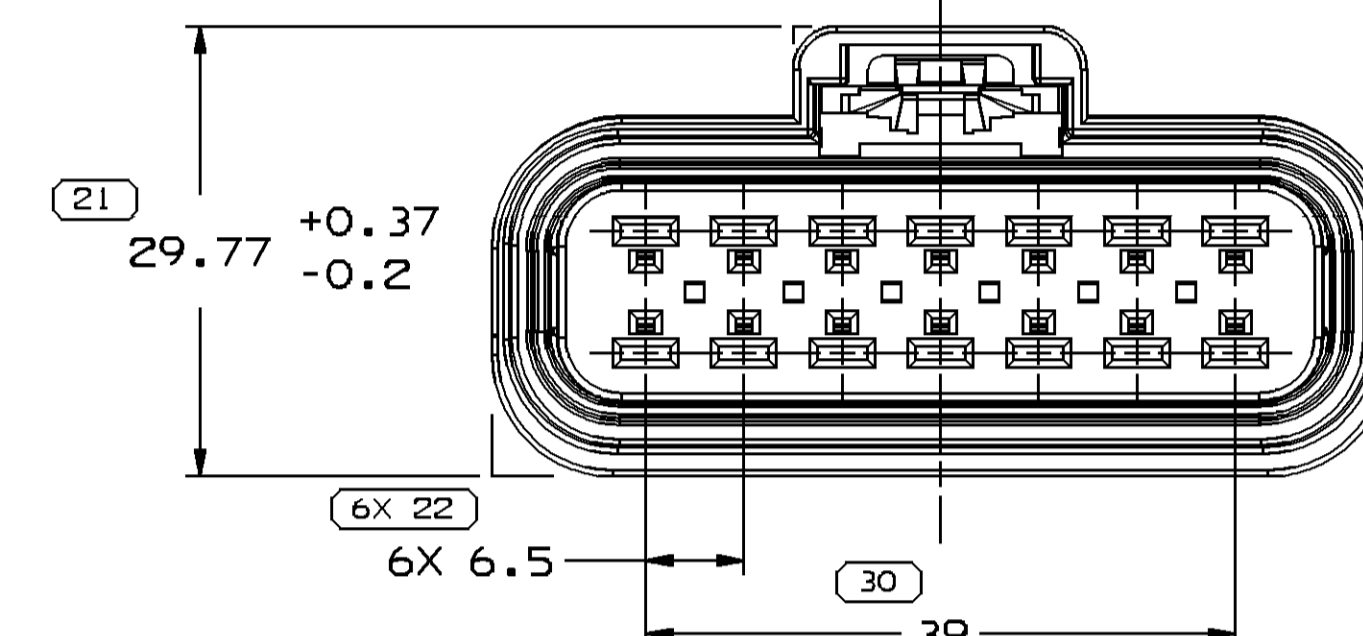


SECTION A-A

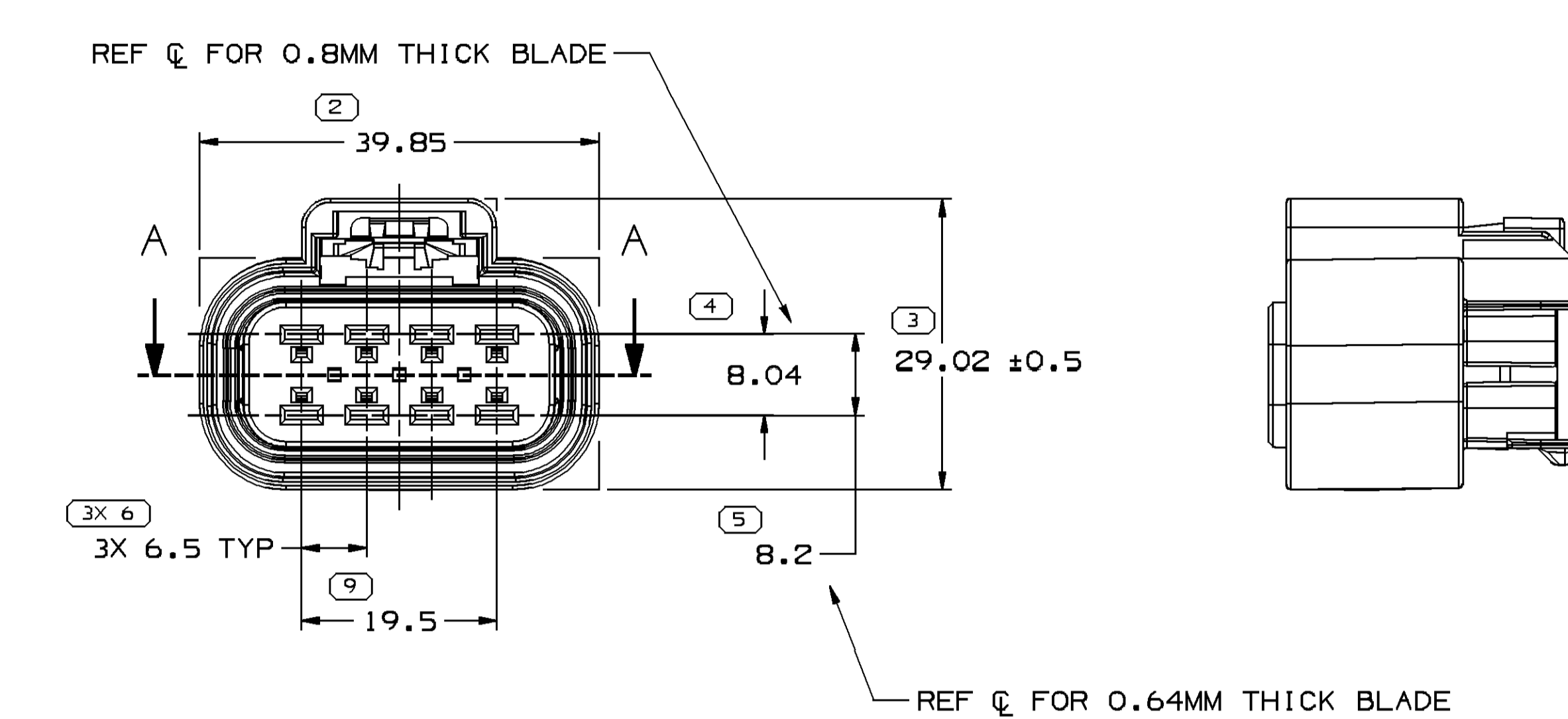
| SYMBOL DEFINITION | | TOTAL NO OF INSPECTIONS REQUIRED | | MISSING SYMBOLS | |
|--|--|----------------------------------|----|--------------------------|--|
| A DIMENSION WITHOUT AN INSPECTION REPORT SYMBOL DOES NOT REQUIRE INSPECTION. IT MAY BE CONTROLLED ON THE INDIVIDUAL COMPONENT DRAWING. | | 70 | | NO MISSING SYMBOL NUMBER | |
| | | LAST NO. USED | 30 | | |



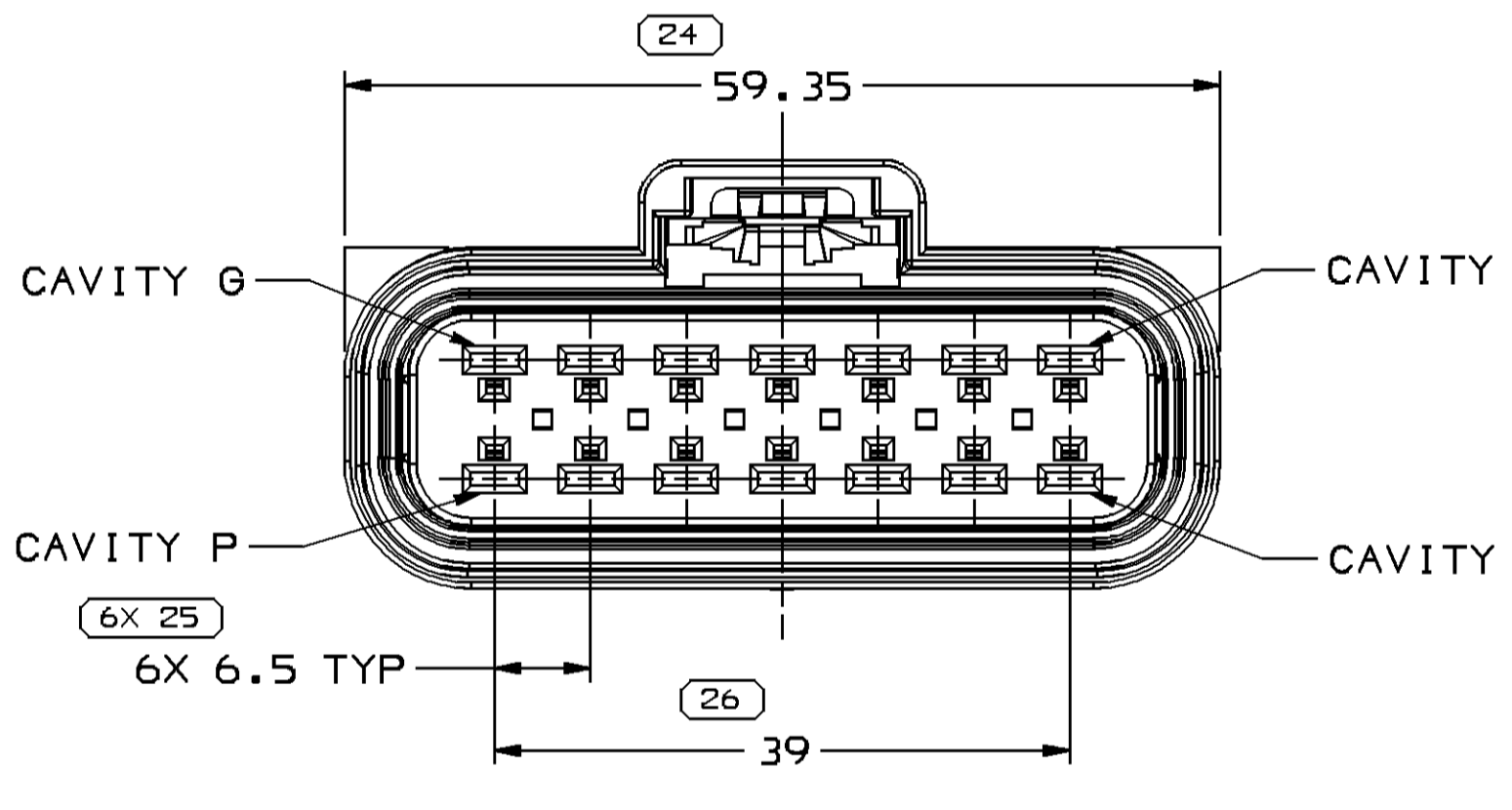
TYPE 112
SAME AS TYPE 108
EXCEPT AS SHOWN



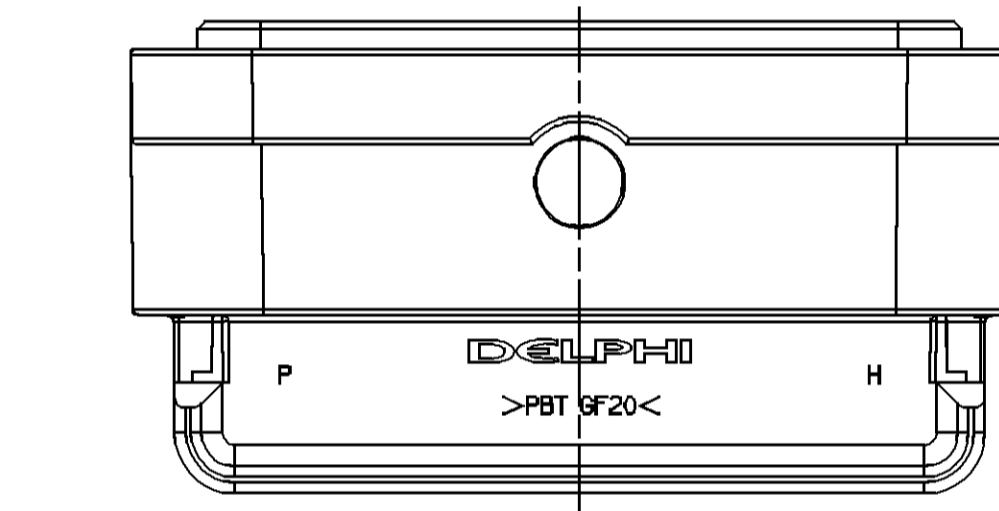
TYPE 214
SAME AS TYPE 114
EXCEPT AS SHOWN



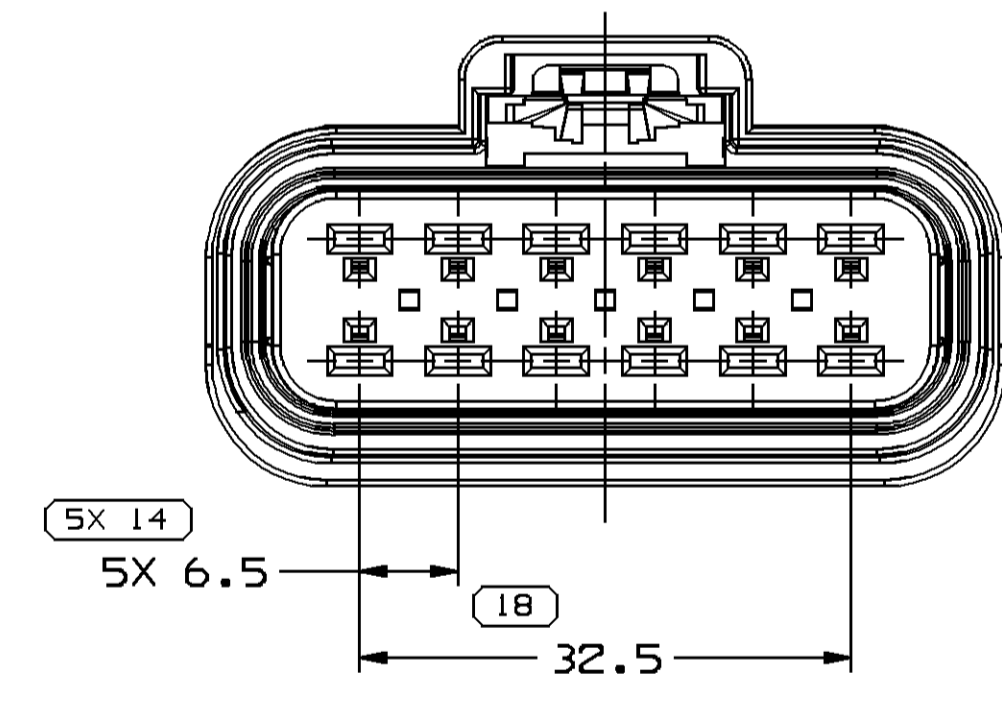
TYPE 108



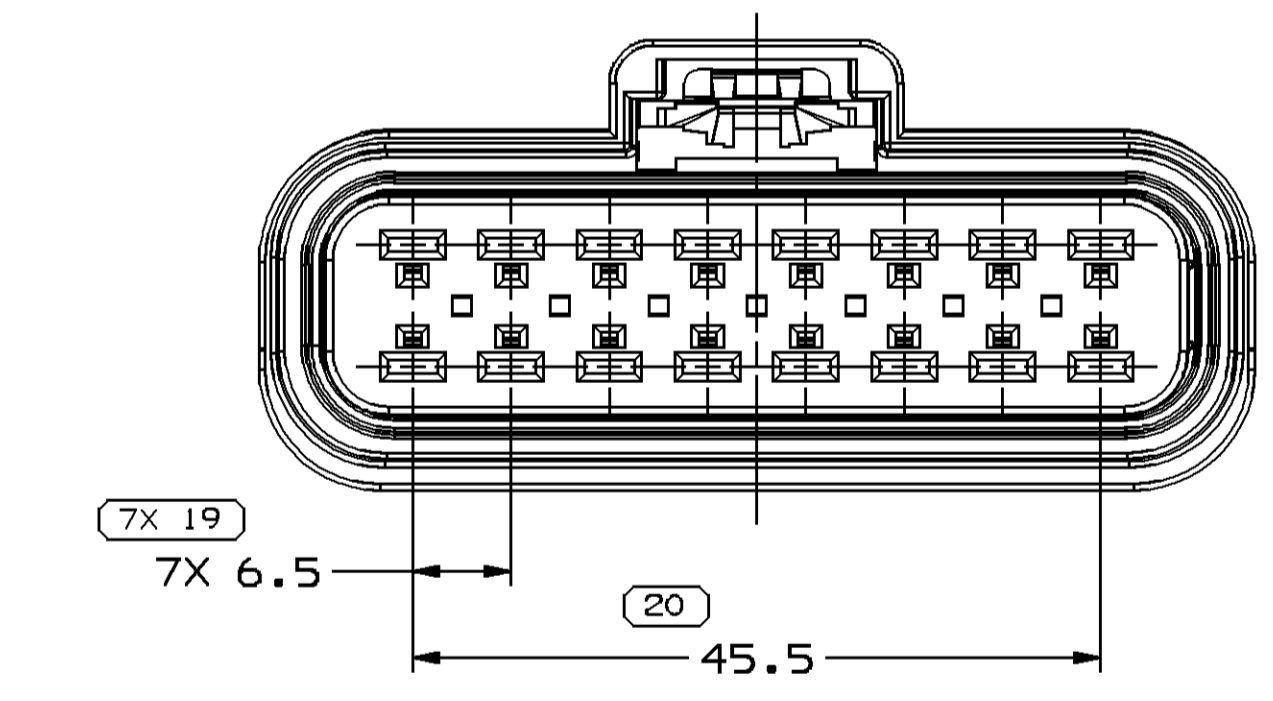
TYPE 114
SAME AS TYPE 108
EXCEPT AS SHOWN



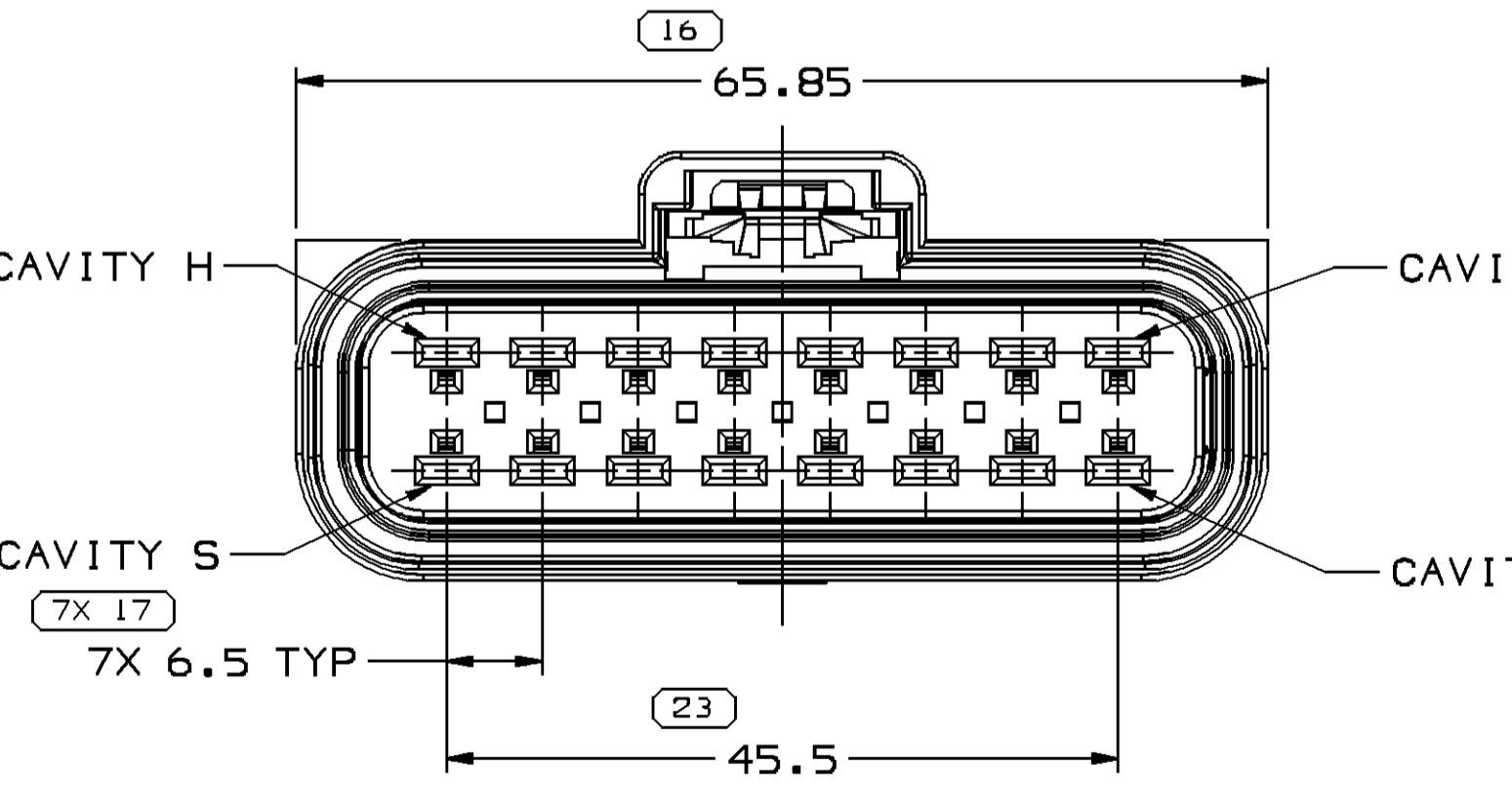
TYPE 210
SAME AS TYPE 214
EXCEPT AS SHOWN



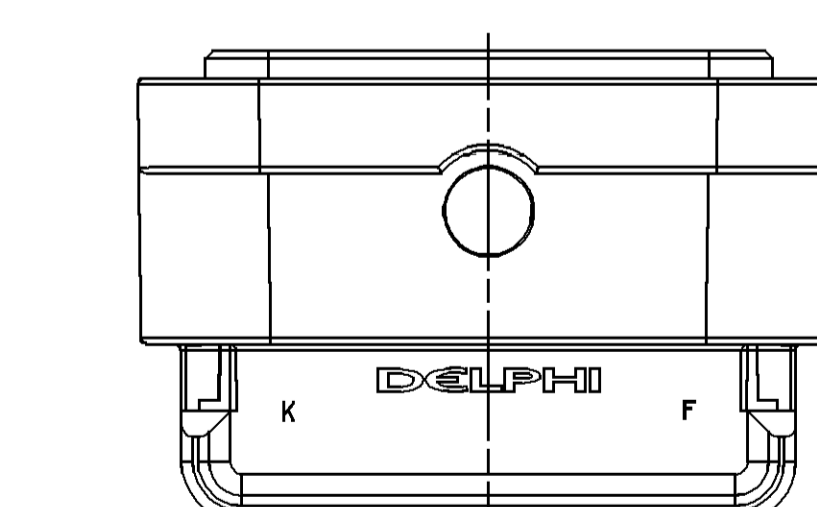
TYPE 212
SAME AS TYPE 214
EXCEPT AS SHOWN



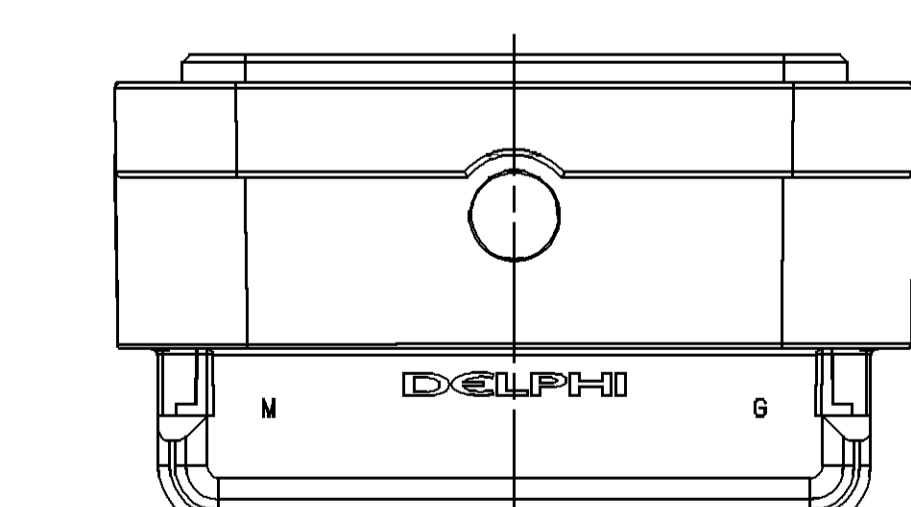
TYPE 216
SAME AS TYPE 214
EXCEPT AS SHOWN



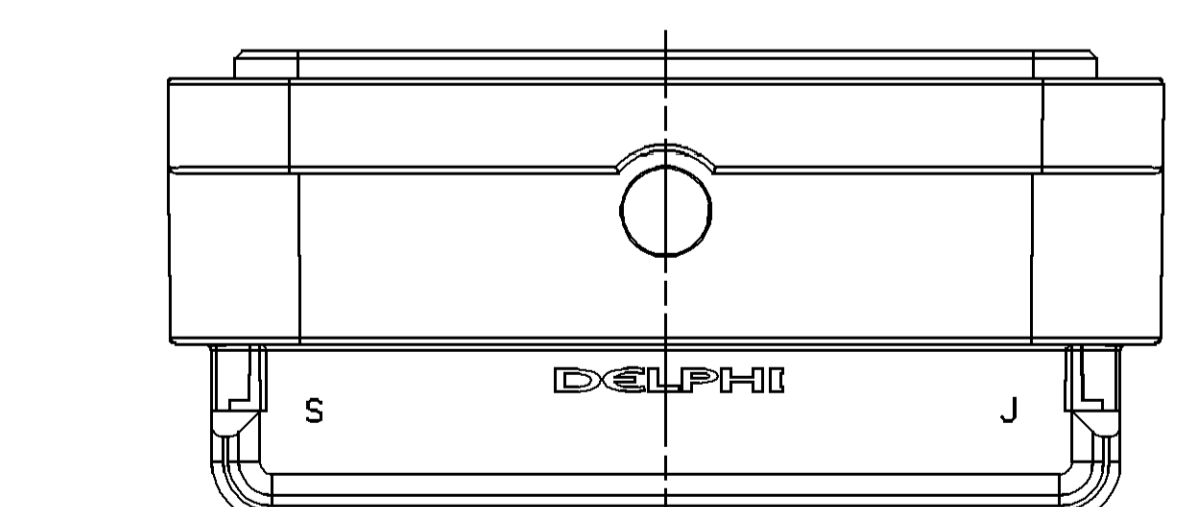
TYPE 116
SAME AS TYPE 108
EXCEPT AS SHOWN



TYPE 210
SAME AS TYPE 214
EXCEPT AS SHOWN



TYPE 212
SAME AS TYPE 214
EXCEPT AS SHOWN



TYPE 216
SAME AS TYPE 214
EXCEPT AS SHOWN

NOTES

- UNLESS OTHERWISE SPECIFIED AND/OR INDICATED: DIMENSIONS ARE TO FACE OF VIEW SHOWN AND AUTOMATICALLY ROUNDED BY COMPUTER FOR INSPECTION. (SEE MATH MODEL FOR PRECISE DIMENSIONS.) FOR ALL OTHER DIMENSIONS NOT SHOWN BUT REQUIRED FOR TOOL BUILD, SEE MATH MODEL FOR PRECISE TOOL PATH DATA.
- SEALING CODE 4 - DESIGN WILL MEET REQUIREMENTS OF SAE/USCAR-2 CONNECTOR SYSTEM ENVIRONMENTAL TEST FLOWCHART (PRESSURE/VACUUM AND SUBMERSION).
- ASSEMBLIES WITH 12 CAVITIES OR MORE, MATING FORCE WILL EXCEED 80N.
- THIS PRODUCT IS NOT CATEGORIZED AS AN APPEARANCE ITEM, MINOR IMPERFECTIONS INCLUDING, BUT NOT LIMITED TO, FLOW MARKS, COLOR BLEMISHES, GATE VESTIGES, AND SOFT FLASH THAT DO NOT AFFECT THE FIT, FORM, OR FUNCTION OF THE PART ARE PERMISSIBLE PER DPNP-4.7-CS-01.
- FOR APPLICATION DATA SEE THE INDIVIDUAL APPLICATION DRAWINGS.

| PART NO | ITEM ID | REV | N/P | RECOMMENDED USAGE | TYPE | CONN | MATERIAL RECYCLING CODE | COLOR | PLR | CONN SEAL | CAVITIES |
|----------|----------|-----|-----|---|------|---------------------|-------------------------|-------|---------------------|---------------------|----------|
| 13672062 | - | 01 | AA | - | 212 | 13672061 | POLYESTER COMPOUND | BLACK | 15326912 / ID406337 | 15326913 / ID406338 | 12 |
| 13658980 | - | 01 | AA | - | 216 | 13658979 | POLYESTER COMPOUND | BLACK | 15326664 / ID406352 | 15326665 / ID406353 | 16 |
| 13672060 | - | 01 | AA | - | 210 | 13672059 | POLYESTER COMPOUND | BLACK | 15326658 / ID406330 | 15326659 / ID406332 | 10 |
| 13540547 | - | 01 | AD | - | 214 | 13540546 | POLYESTER COMPOUND | BLACK | 15326919 / ID406343 | 15326920 / ID406344 | 14 |
| 13538370 | - | 01 | AC | - | 208 | 13534968 | POLYESTER COMPOUND | BLACK | 15326652 / ID406319 | 15326653 / ID406320 | 8 |
| 15326917 | ID406341 | 02 | AF | DO NOT PROLIFERATE REPLACED BY 13540547 | 114 | 15326916 / ID406345 | POLYAMIDE COMPOUND | BLACK | 15326919 / ID406343 | 15326920 / ID406344 | 14 |
| 15326910 | ID406335 | 02 | AF | - | 112 | 15326909 / ID406339 | POLYAMIDE COMPOUND | BLACK | 15326912 / ID406337 | 15326913 / ID406338 | 12 |
| 15326666 | ID406349 | 02 | AF | - | 116 | 15326662 / ID406350 | POLYAMIDE COMPOUND | BLACK | 15326664 / ID406352 | 15326665 / ID406353 | 16 |
| 15326660 | ID406334 | 02 | AF | - | 110 | 15326656 / ID406328 | POLYAMIDE COMPOUND | BLACK | 15326658 / ID406330 | 15326659 / ID406332 | 10 |
| 15326654 | ID406322 | 02 | AG | DO NOT PROLIFERATE REPLACED BY 13538370 | 108 | 15326650 / ID406317 | POLYAMIDE COMPOUND | BLACK | 15326652 / ID406319 | 15326653 / ID406320 | 8 |

| DIMENSIONAL RANGE (MM) | TOLERANCE | CHART REF |
|------------------------|-----------|-----------|
| FROM > 0 | > 20 | > 30 |
| TO 20 | 30 | 40 |
| 40 | 50 | 60 |
| 60 | 80 | 100 |
| 80 | 100 | 150 |
| 100 | 150 | 200 |
| 150 | 200 | 250 |
| 200 | 250 | 300 |
| 250 | 300 | 400 |

| DATE | REV | N/P | ZONE | REVISION HISTORY | AUTH | DR | APV/D | APV/D |
|--------|-----|-----|------|---|--------|-----|-------|-------|
| 25AU99 | R | 02 | - | CLEARED REVISION COLUMN PART DRAWING UPDATED | 196586 | DRR | DRR | DRR |
| 190C99 | R | 03 | - | ALL PARTS - REVISED GRAPHICS | 196725 | LMM | RMM | SMN |
| 14JL03 | R | 04 | - | ALL PARTS - REVISED CHART TO SHOW MATING TPA P/Ns: REVISED MATING COMPONENT NOTE, ADDED CPA P/N | 242960 | ADK | ADK | SMN |
| 22SE05 | R | 05 | - | 13538370 & 13540547 - RELEASED | 272748 | LMB | LMB | BR |
| 09MR06 | R | 06 | - | ALL PARTS - TERMINAL 15304720 WAS 15304718, CABLE SEAL 15366067 WAS 121912381 15326654 - 39.85 WAS 39.9, 29.02 +/- 0.5 WAS 29; 15326660 - 46.37 WAS 46.4; 15326666 - 65.85 WAS 65.91; 15326910 - 52.85 WAS 52.91; 15326917 - 59.35 WAS 59.4; 13538370 - UPDATED PD ATTRIBUTES; 13540547 - REVISED DELPHI LOGO & VIEW TYPE LABEL | 277561 | MAC | MAC | SMN |
| 26AP06 | R | 07 | - | 13540547 - 29.77 +/- 0.37/-0.2 WAS 29.77 | 279991 | JPH | FKV | RWR |
| 17MY06 | R | 08 | - | ALL PARTS - UPDATED PD ATTRIBUTES; 15326654 - RESTRICTED AND ADDED REPLACED BY COLUMN IN CHART | 280598 | CCV | JVM | RWR |
| 23MR07 | R | 09 | - | 15326654, 15326660, 15326666, 15326910 & 15326917 - UPDATED PDM ATTRIBUTES | 400960 | JBD | JVM | 661 |
| 20FE08 | R | 10 | - | ALL PARTS - ADDED COL TO CHART FOR "RECOMMENDED USAGE", APPLICATION DATA NOTE & APPEARANCE ITEM NOTE; REMOVED COL FROM CHART FOR "REPLACED BY" PART ACCEPTS NOTE, MATING CONFIGURATION NOTE, REFERENCE MATING NOTE, MATING TPA COL., CONF18 REQ COL., MATING CONN ASM COL. AND REVISED MAT'L CALLOUT TO GENERIC CALLOUT & MATERIAL RECYCLING CODE LABEL; 15326654 - REMOVED RESTRICTED STATUS; 13672060, 13658980 & 13672062 - RELEASED; 15326654 & 15326917 - ADDED NOTE FOR RECOMMENDED USAGE | 402837 | JTV | AUG | RWR |
| 28AU12 | R | 11 | - | ALL PARTS - REVISED MATING FORCE NOTE AND ADDED CAVITIES COLUMN IN CHART | 419436 | APB | JAA | DAF |

DELPHI
DELPHI PACKARD ELECTRICAL/ELECTRONIC ARCHITECTURE
WARREN, OH
COPYRIGHT 1997 DELPHI CORPORATION AND/OR ITS AFFILIATES. ALL RIGHTS RESERVED.
THIS DRAWING IS THE PROPERTY OF DELPHI CORPORATION. THE REPRODUCTION, DISTRIBUTION AND UTILIZATION OF THIS DOCUMENT OR ITS RELATED CAD DATA, AS WELL AS COMBINATION OF ANY CONTENT TO OTHERS, WITHOUT EXPRESS AUTHORIZATION IS PROHIBITED.

DATE: 09JL97
OR: B. NABY
APV01: M. MCCALL
APV02: W. MCCALL
APV03: S.A. NORLING
APV04:
APV05:

THIS DOCUMENT IS IN ACCORDANCE WITH ASME Y14.5M-1994 AS MODIFIED BY THE 2003 SUPPLEMENT AND TELEPHONING ADDENDUM-2001. SEPARATE PATTERNS OF FEATURES MAY BE SHOWN SEPARATELY, REGARDLESS OF DATA REFERENCES.

UNLESS OTHERWISE SPECIFIED
ALL DIMENSIONS ARE IN MILLIMETERS

THIRD ANGLE PROJECTION
DO NOT SCALE
USE MATH DATA

DRAWING NUMBER: 15326672
SCALE: 2:1
SHEET NO: 1 OF 1
STG REV: R 11