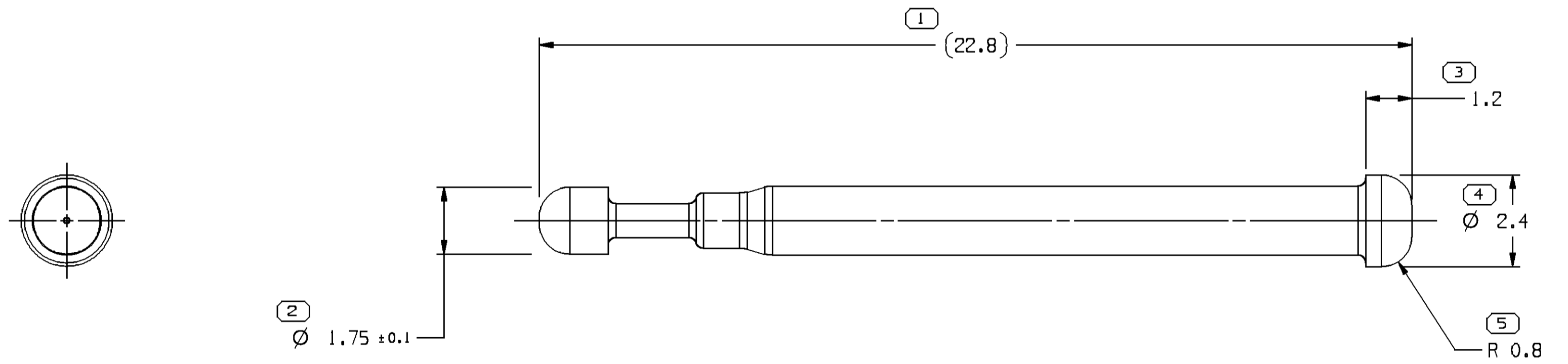
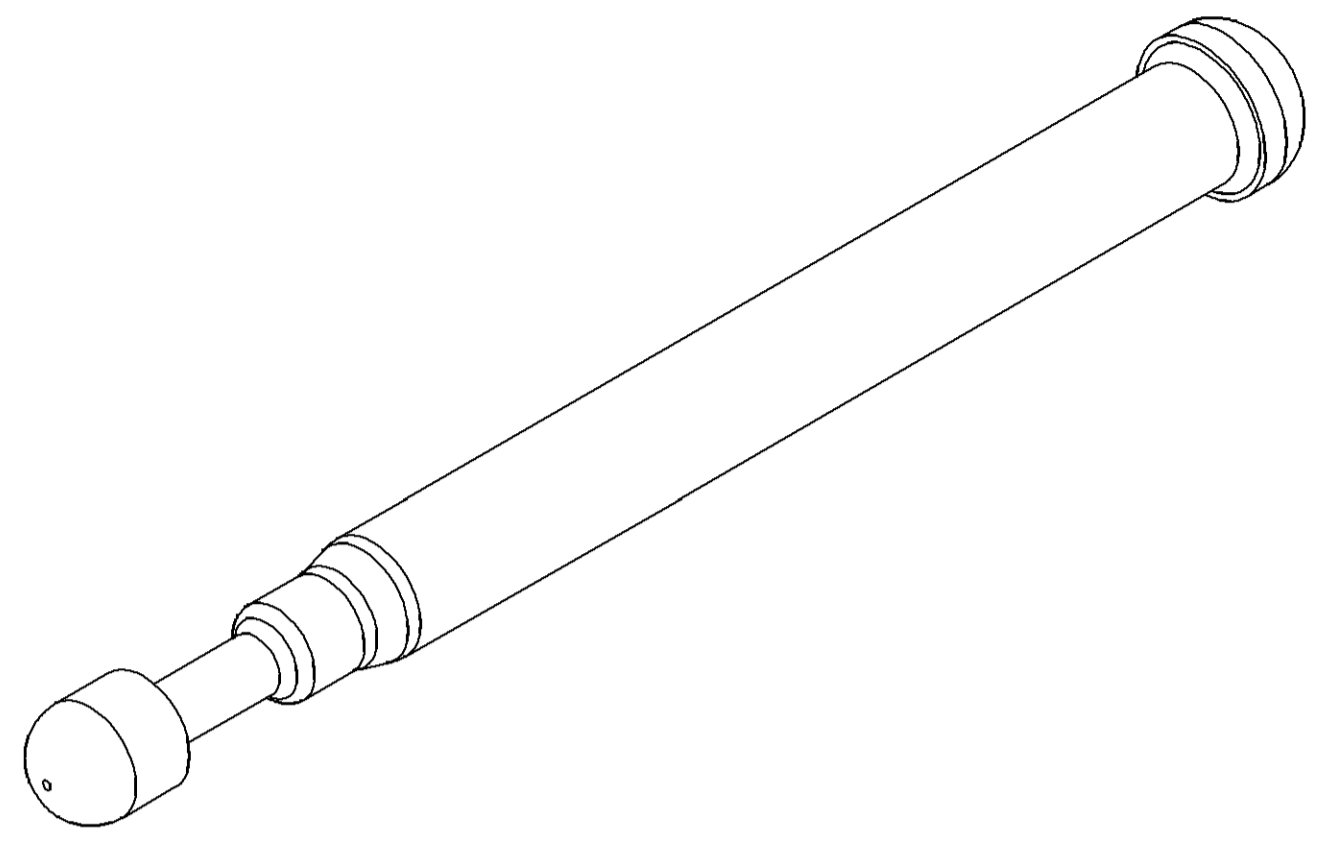


SYMBOL DEFINITION		MISSING SYMBOLS	
A DIMENSION WITHOUT AN INSPECTION REPORT SYMBOL ( ) DOES NOT REQUIRE INSPECTION. IT MAY BE CONTROLLED ON THE INDIVIDUAL COMPONENT DRAWING.	TOTAL NO OF INSPECTIONS REQUIRED	NO MISSING SYMBOL NUMBER	
	5		
	LAST NO. USED		
	5		

DWG STATUS					REVISION HISTORY			AUTH	DR	APVD1	APVD2
DATE	STG	REV	N/P	CHG	ZONE						
22FE01	R	01	-	-		WAS PE092511 AND RELEASED	207167	APV	JAA	LP	
05FE02	R	01	AA	-		MATERIAL SPEC WAS R0071786	220356	TMR	TLP	LAP	
12MR18	R	01	AB	-		PSD WAS DIM #4	439209	LXA	JAA	VRG	
14MR18	R	01	AC	-		UPDATED PDM ATTRIBUTES	439257	LXA	JAA	VRG	



NOTES

- UNLESS OTHERWISE SPECIFIED AND/OR INDICATED:  
DIMENSIONS ARE TO FACE OF VIEW SHOWN AND AUTOMATICALLY ROUNDED BY COMPUTER FOR INSPECTION (SEE MATH MODEL FOR PRECISE DIMENSIONS). FOR ALL OTHER DIMENSIONS NOT SHOWN BUT REQUIRED FOR TOOL BUILD, SEE MATH MODEL FOR PRECISE TOOL PATH DATA.
- REFERENCE MATING COMPONENTS OR EQUIVALENT:  
CONNECTOR ASM 15404999

<p>INDICATES THAT PHYSICAL PARTS ARE NOT AVAILABLE FOR ORDERING.</p> <p>PART NUMBERS THAT DO NOT HAVE A LINE PRESENT INDICATE THAT PHYSICAL PARTS ARE AVAILABLE FOR ORDERING.</p> <p>CONTACT DELPHI SALES TO ASSURE AVAILABILITY OF PARTS.</p>	
<p>DWG TYPE</p> <p>PART DRAWING</p>	
<p>STYLE</p>	
<p>VOLUME (CPI)</p> <p>0.053</p>	<p>DISTR CODE</p> <p>D</p>
<p>UNLESS OTHERWISE SPECIFIED</p> <p>THIS DOCUMENT IS IN ACCORDANCE WITH ASME Y14.5M-1994 AS AMENDED BY THE 0M GLOBAL DIMENSIONING AND TOLERANCING ADDENDUM - 1997. ALL GEOMETRIC TOLERANCES AND RELATED DATUMS APPLY RFS. RULE #1 (PERFECT FORM AT MMPI) DOES NOT APPLY WHEN RELATIONSHIP BETWEEN FEATURES IS ESTABLISHED BY ORIENTATION OR LOCATION TOLERANCES. SEPARATE POSITION CALLOUTS MAY BE GAGED SEPARATELY, REGARDLESS OF DATUM REFERENCE.</p> <p>ALL DIMENSIONS ARE IN MILLIMETERS</p>	
<p>REFERENCE</p>	

**DELPHI**  
 DELPHI PACKARD ELECTRICAL/ELECTRONIC ARCHITECTURE  
 WARREN, OH  
 COPYRIGHT 2001 DELPHI CORPORATION AND/OR ITS AFFILIATES. ALL RIGHTS RESERVED.

THIS DRAWING IS THE PROPERTY OF DELPHI CORPORATION AND CONTAINS DELPHI CONFIDENTIAL INFORMATION. THE REPRODUCTION, DISTRIBUTION AND UTILIZATION OF THIS DOCUMENT OR ITS RELATED CAD MATH DATA, AS WELL AS COMMUNICATION OF ANY CONTENT TO OTHERS, WITHOUT EXPRESS AUTHORIZATION, IS PROHIBITED.

DR	DATE
APVD1 A. PALOMINO	22FE01
APVD2 J. S. ALVARADO	23FE01
APVD3 LISA PROX	28FE01
APVD4	
APVD5	

SUBSTANCES OF CONCERN AND RECYCLED CONTENT PER DELPHI 10949001

MATERIAL  
POLYAMIDE COMPOUND RED

DRAWING NAME  
SEAL CBL IW HOLE PLUG

DRAWING NUMBER  
15404841

SIZE	SCALE	FRAME NO	SHEET NO	STG	REV	N/P	AC
A1	10:1	1 OF 1	1 OF 1	R	01		

<p>(2) PROCESS SENSITIVE DIMENSION</p> <p>DIMENSIONS ENCLOSED IN ( ) INDICATE REFERENCE DIMENSIONS AND NO TOLERANCE LIMITS ARE ESTABLISHED</p>	
<p>THIRD ANGLE PROJECTION</p>	
<p>DO NOT SCALE</p>	
<p>USE MATH DATA</p>	
<p>NGX</p>	

DIMENSIONAL RANGE (MM)		CHART E1	
FROM	TO	> 0	> 300
> 0	> 20	> 30	> 100
> 20	> 30	> 70	> 150
> 30	> 70	> 100	> 200
> 70	> 100	> 150	> 250
> 100	> 150	> 200	> 300
> 150	> 200	> 250	> 400
> 200	> 250	> 300	> 400
TOLERANCE UNLESS OTHERWISE SPECIFIED			
±0.15		±0.2	±0.3
±0.2		±0.4	±0.5
±0.3		±0.6	±0.8
±0.4		±1	±1.2
ANGULAR TOLERANCE ±2°			