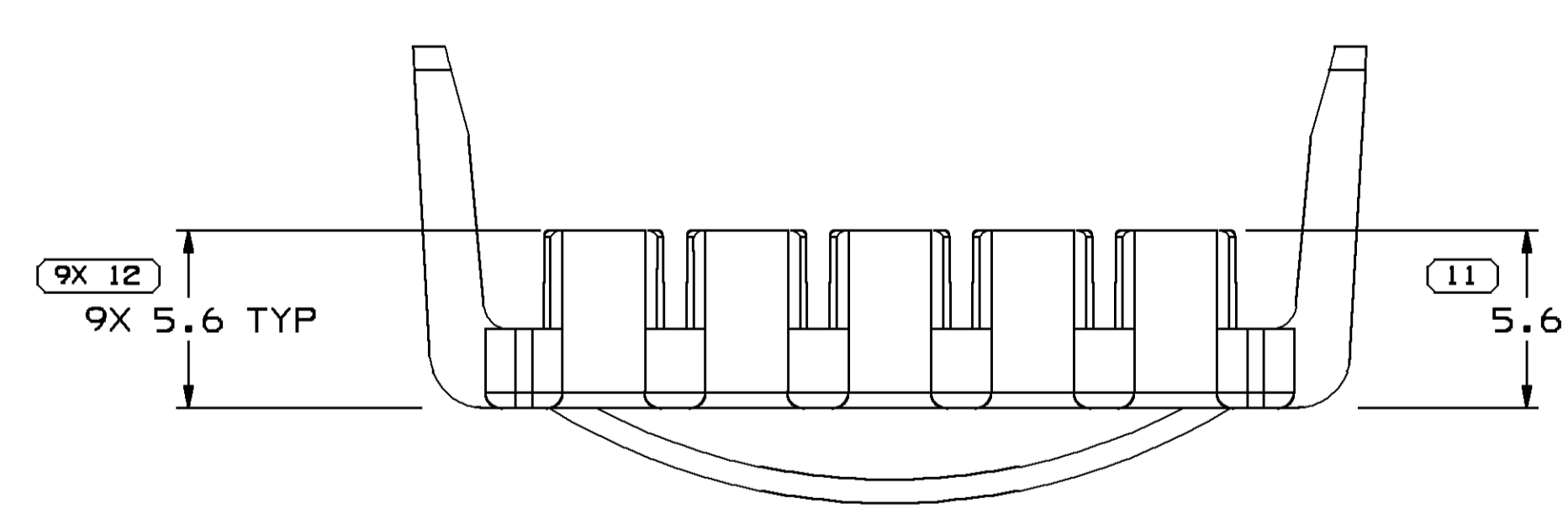
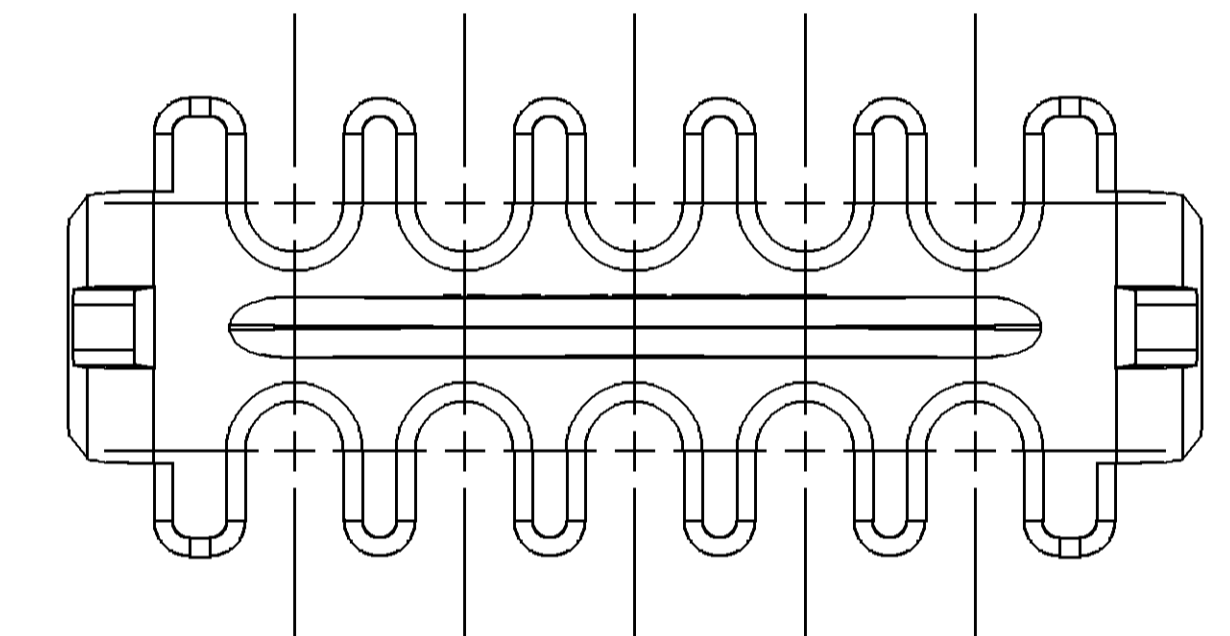
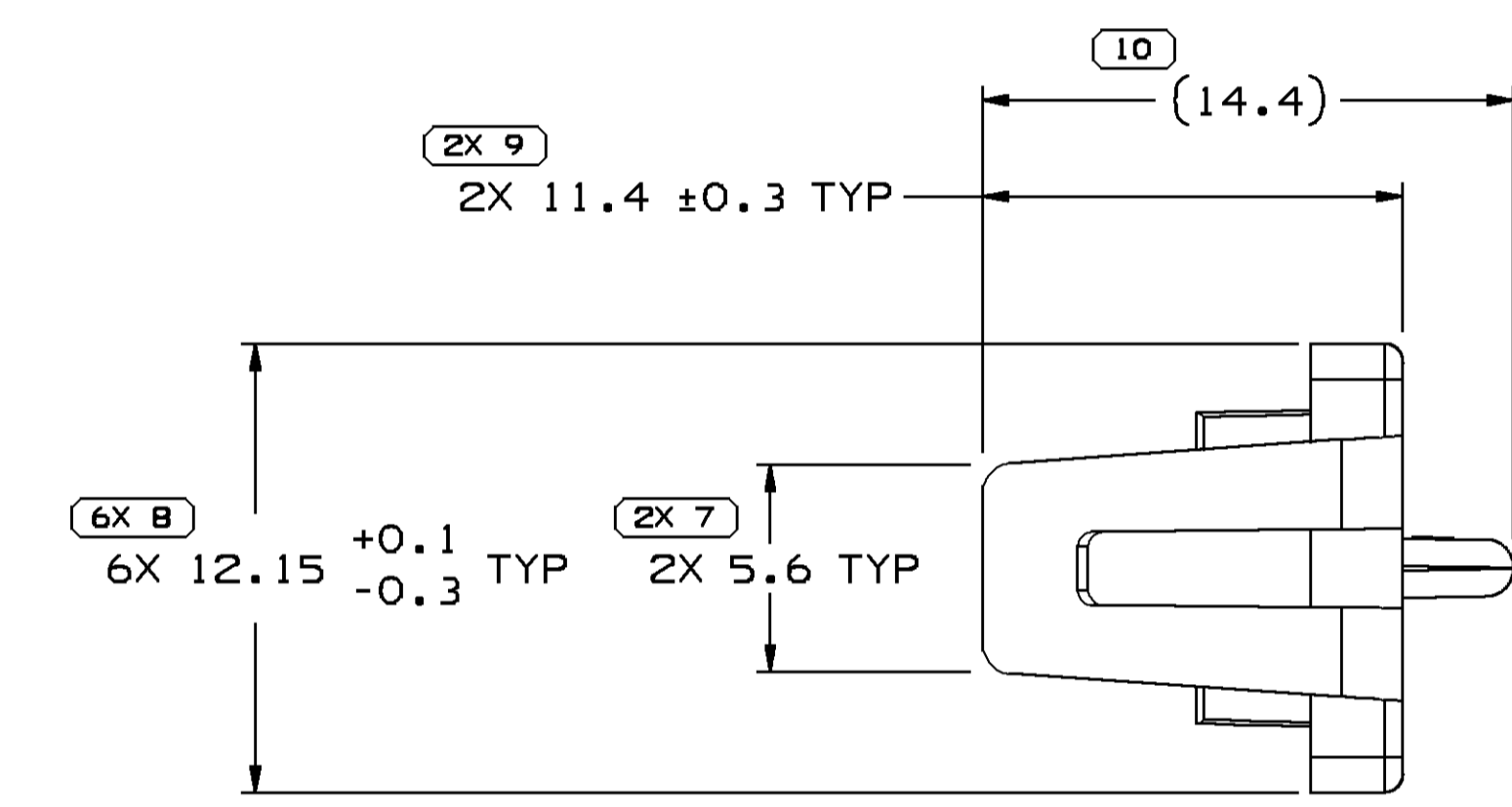
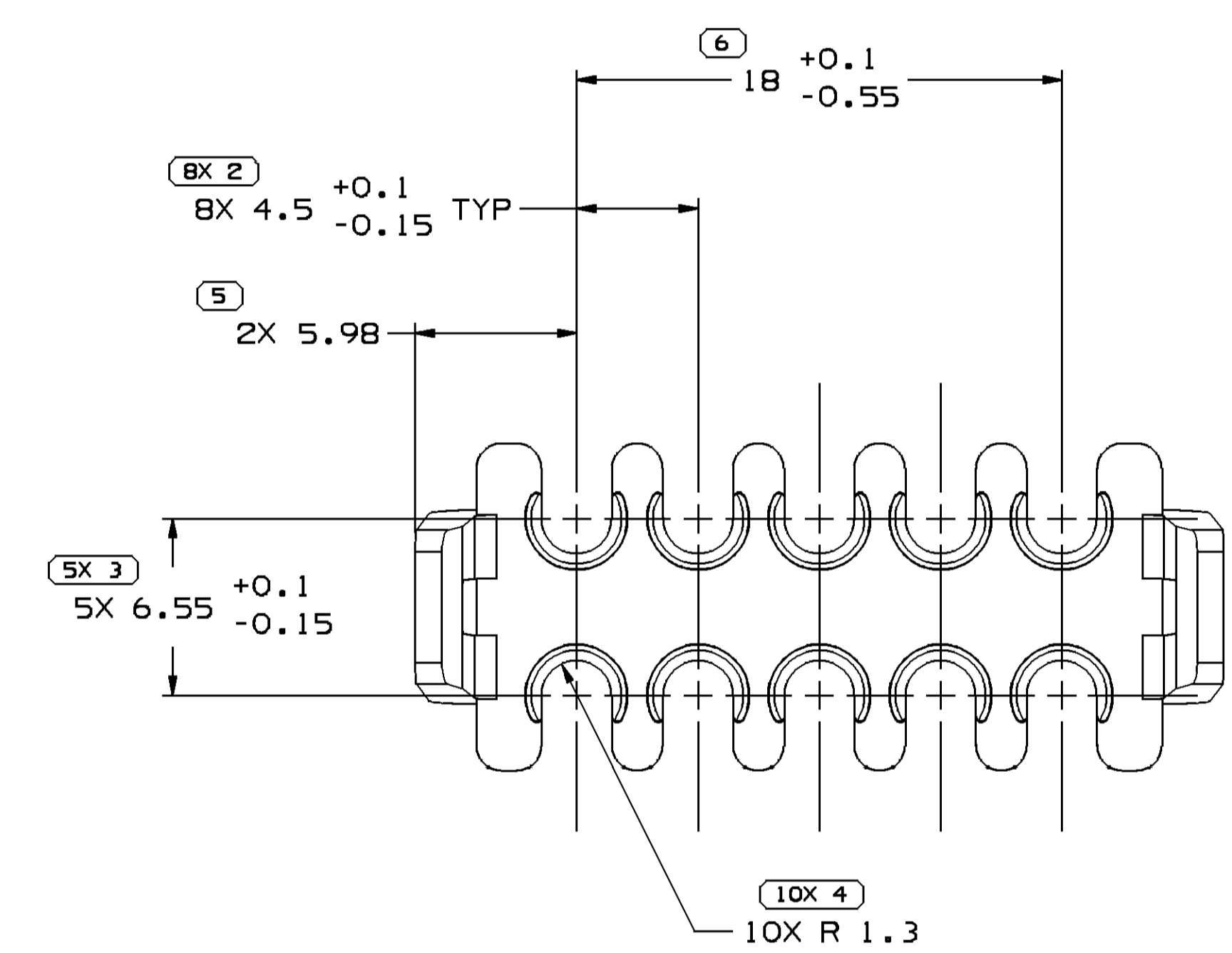
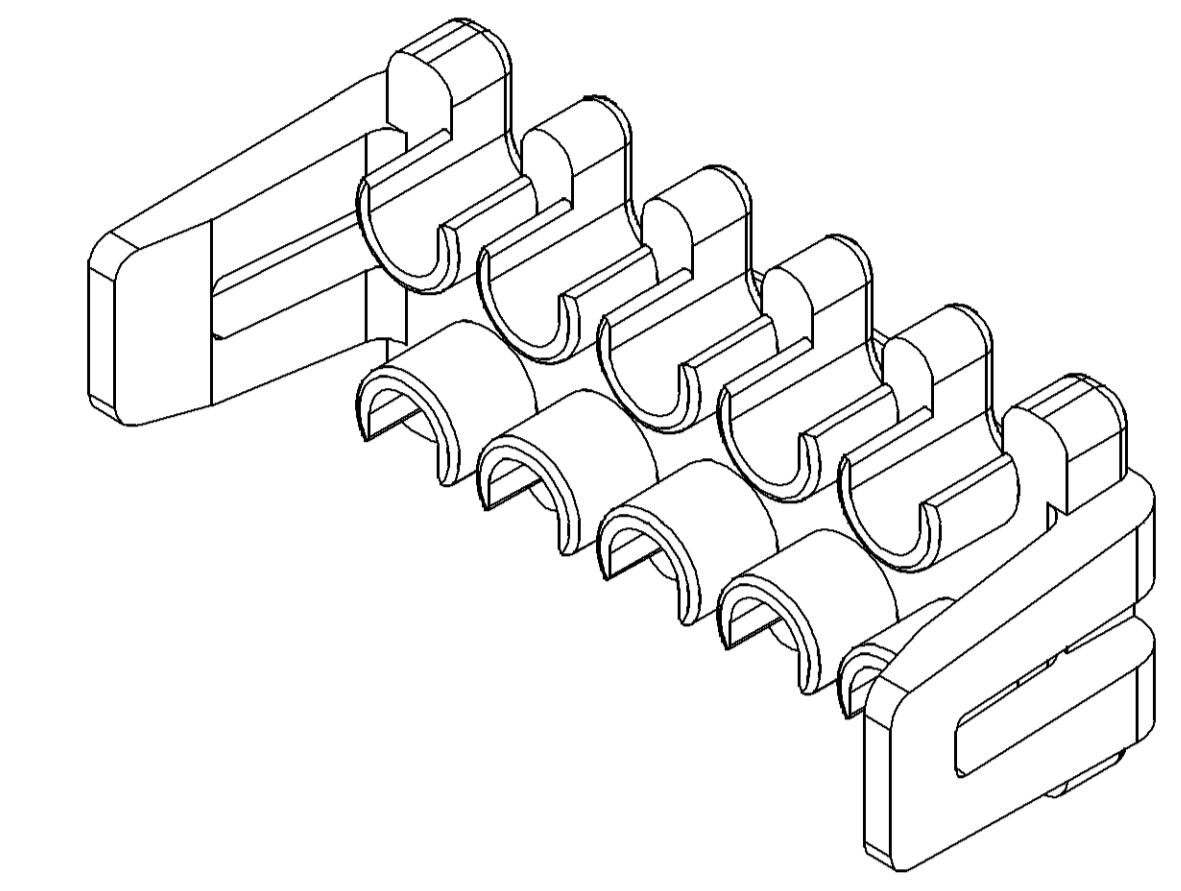
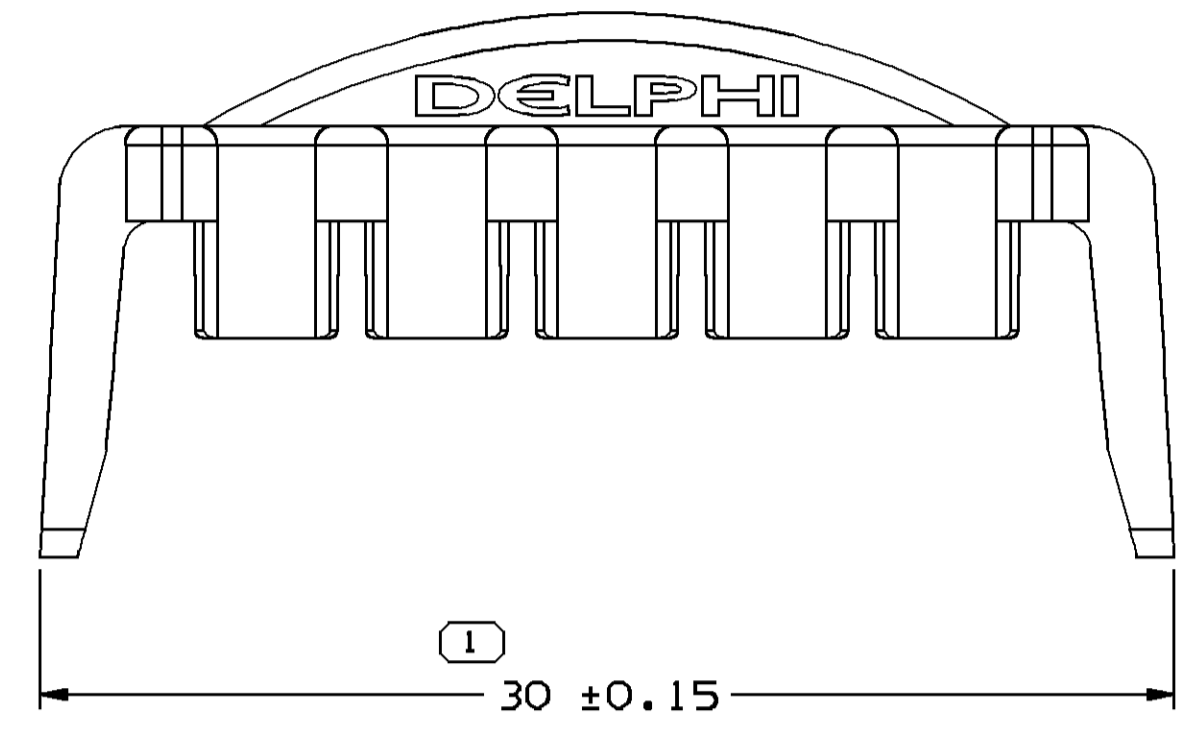


SYMBOL DEFINITION		MISSING SYMBOLS	
A DIMENSION WITHOUT AN INSPECTION REPORT SYMBOL () DOES NOT REQUIRE INSPECTION. IT MAY BE CONTROLLED ON THE INDIVIDUAL COMPONENT DRAWING.	TOTAL NO OF INSPECTIONS REQUIRED	47	NO MISSING SYMBOL NUMBER
	LAST NO. USED	12	

DWG STATUS					REVISION HISTORY			AUTH	DR	APVD	APV2
DATE	STG	REV	N/P	CHG	ZONE						
07AU14	R	01	-	-		33179682 - RELEASED & 15418288 - WAS SEPARATE DRAWING AND UPDATED GD&T NOTE	427212	NRM	JVM	JSM	
240C14	R	02	-	-		33179682 - UPDATED PART AVAILABILITY	428048	JVR	JVM	JSM	



NOTES

- UNLESS OTHERWISE SPECIFIED AND/OR INDICATED:
DIMENSIONS ARE TO FACE OF VIEW SHOWN AND AUTOMATICALLY ROUNDED BY COMPUTER FOR INSPECTION (SEE MATH MODEL FOR PRECISE DIMENSIONS). FOR ALL OTHER DIMENSIONS NOT SHOWN BUT REQUIRED FOR TOOL BUILD, SEE MATH MODEL FOR PRECISE TOOL PATH DATA.
- MATING COMPONENTS:
15326842, 15326847
- THIS PART IS NOT CONTROLLED FOR AUTOMATIC FEEDING.
- DIMENSION 1 AND 5 ARE MEASURED WITH PART RESTRAINED.
- THIS PRODUCT IS NOT CATEGORIZED AS AN APPEARANCE ITEM. MINOR IMPERFECTIONS INCLUDING, BUT NOT LIMITED TO, FLOW MARKS, COLOR BLEMISHES, GATE VESTIGE, AND SOFT FLASH THAT DO NOT AFFECT THE FIT, FORM, OR FUNCTION OF THE PART ARE PERMISSIBLE PER DPNP-4.7-CS-01.
- (1)X(0.05) DELPHI CORPORATE BRAND TO BE LOCATED ON ANY EXTERIOR SURFACE, PREFERABLY VISIBLE AT FINAL ASSEMBLY. OPTIONAL CONSTRUCTION FOR EXISTING TOOLING MAY BE "PED".

LINE DRAWN THROUGH PART NUMBER INDICATES THAT PHYSICAL PARTS ARE NOT AVAILABLE FOR ORDERING. PART NUMBERS THAT DO NOT HAVE A LINE PRESENT INDICATE THAT PHYSICAL PARTS ARE AVAILABLE FOR ORDERING. CONTACT DELPHI SALES TO ASSURE AVAILABILITY OF PARTS.	
DWG TYPE: PART DRAWING	
STYLE: SEE CHART	DISTR CODE: D
UNLESS OTHERWISE SPECIFIED THIS DOCUMENT IS IN ACCORDANCE WITH ASME Y14.5M-1994 AS MODIFIED BY THE 3D DIGITAL DIMENSIONING AND TOLERANCING ADDENDUM-2001. SEPARATE PATTERNS OF FEATURES MAY BE SHOWN SEPARATELY, REGARDLESS OF DATUM REFERENCES.	
ALL DIMENSIONS ARE IN MILLIMETERS	
REFERENCE:	

DELPHI
 DELPHI PACKARD ELECTRICAL/ELECTRONIC ARCHITECTURE
 WARREN, OH
 COPYRIGHT 2014 DELPHI CORPORATION AND/OR ITS AFFILIATES. ALL RIGHTS RESERVED.
 THIS DRAWING IS THE PROPERTY OF DELPHI CORPORATION AND CONTAINS DELPHI CONFIDENTIAL INFORMATION. THE REPRODUCTION, DISTRIBUTION AND UTILIZATION OF THIS DOCUMENT OR ITS CONTENTS AND DATA, AS WELL AS COMMUNICATION OF ANY CONTENT TO OTHERS, WITHOUT EXPRESS AUTHORIZATION, IS PROHIBITED.

DR	DATE
APV01 N. RODRIGUEZ	07AU14
APV02 J. VILLAMIL	07AU14
APV03 J. SIFUENTES	07AU14
APV04	
APV05	

MATERIAL: SEE CHART

DRAWING NAME: TAXI LOCK SECONDARY TPA 0T

DRAWING NUMBER: **33184386**

SIZE: A0	SCALE: 5:1	FRAME NO: 1 OF 1	SHEET NO: 1 OF 1	REV: R	N/P: 02
----------	------------	------------------	------------------	--------	---------

33179682	01	AA	POLYAMIDE COMPOUND GRAY	0.859
15418288	04	AC	POLYAMIDE COMPOUND PURPLE	0.859
PART NO	REV	N/P	MATERIAL SPECIFICATION AND COLOR	VOLUME

(1) PROCESS SENSITIVE DIMENSION DIMENSIONS ENCLOSED IN () INDICATE REFERENCE DIMENSIONS AND NO TOLERANCE LIMITS ARE ESTABLISHED		THIRD ANGLE PROJECTION	DO NOT SCALE USE MATH DATA
DIMENSIONAL RANGE (MM) FROM > 0 TO > 20 > 20 > 30 > 30 > 40 > 40 > 50 > 50 > 60 > 60 > 70 > 70 > 80 > 80 > 90 > 90 > 100 > 100 > 150 > 150 > 200 > 200 > 250 > 250 > 300 > 300 > 400	CHART SET TOLERANCE UNLESS OTHERWISE SPECIFIED ANGULAR TOLERANCE ±2°		