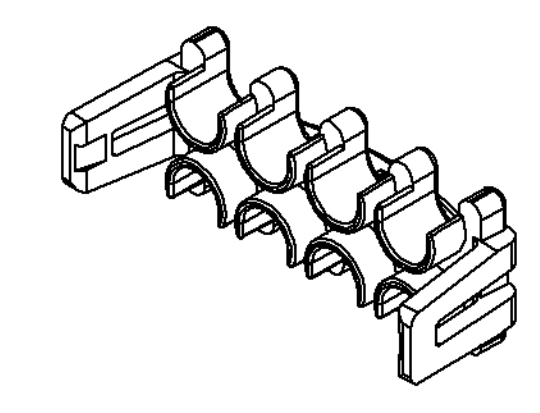
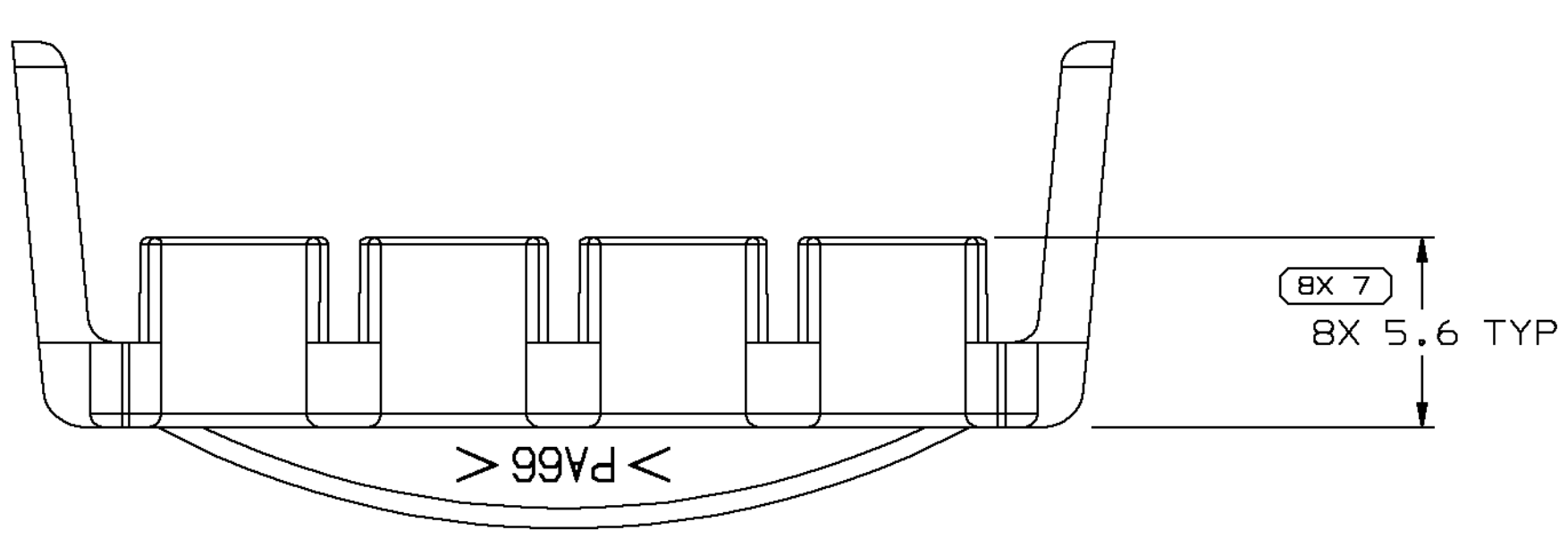
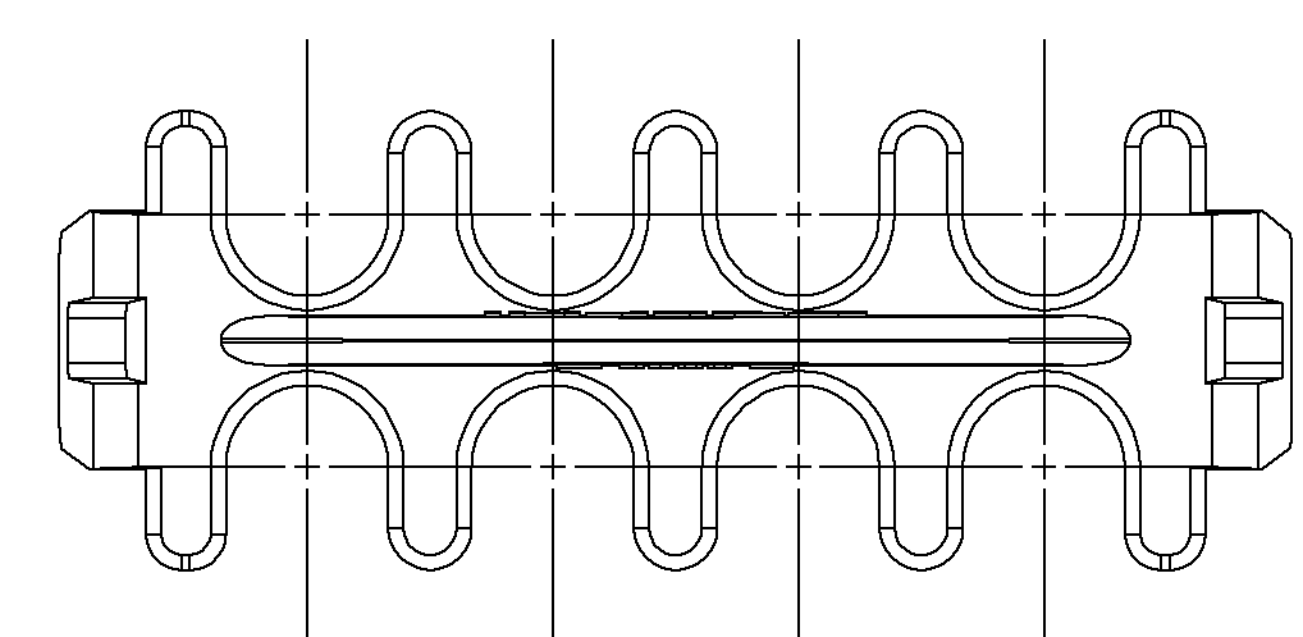
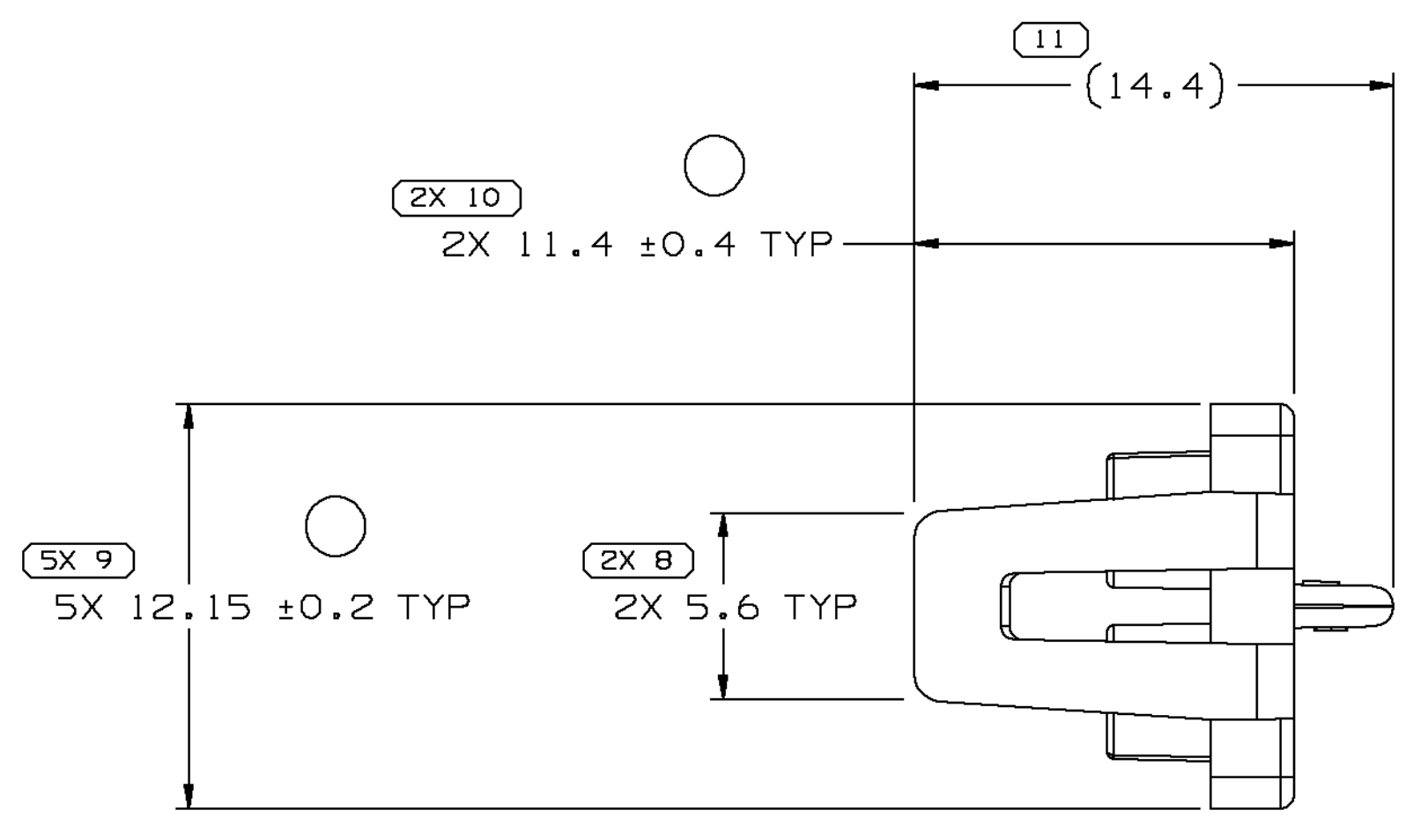
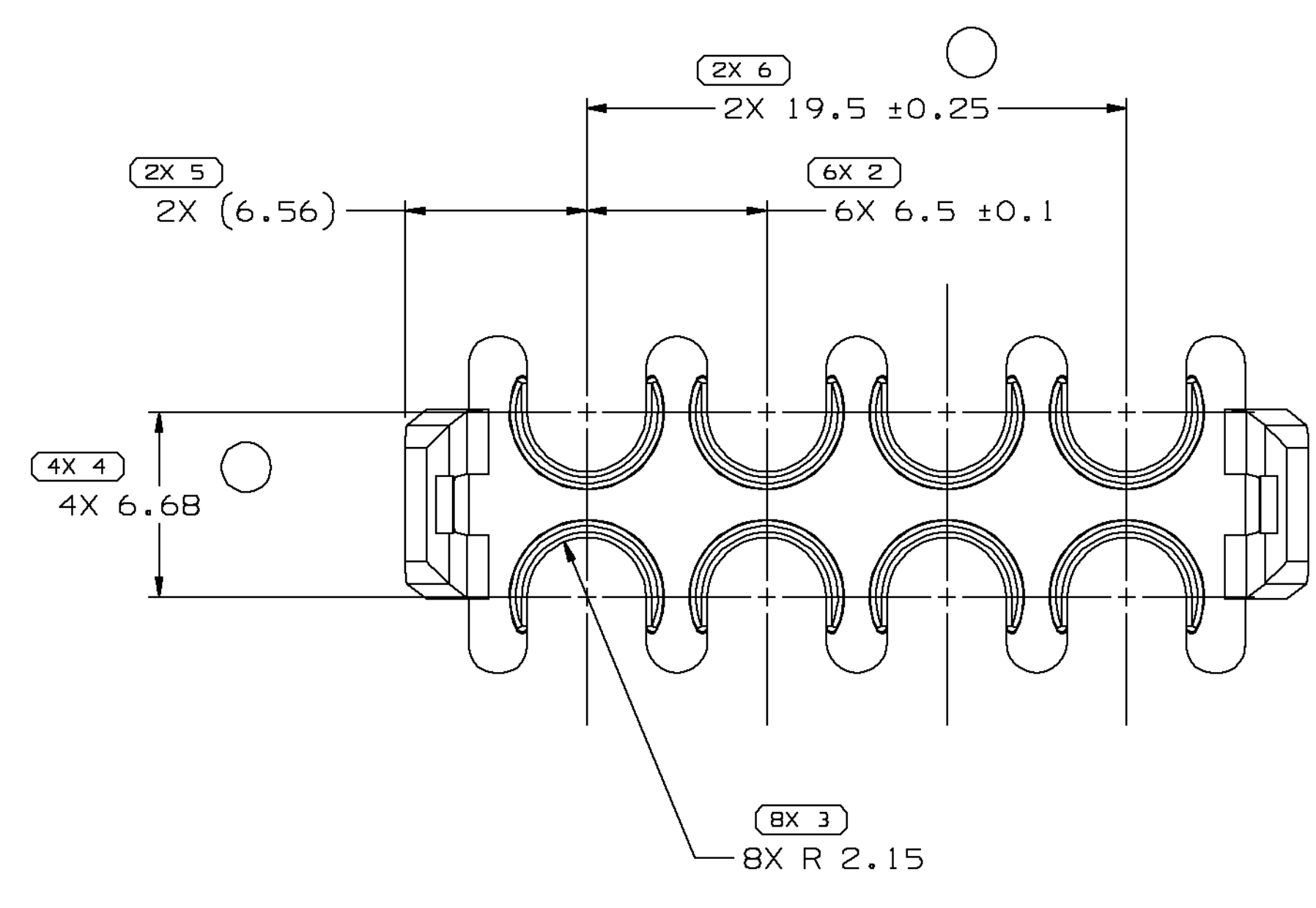
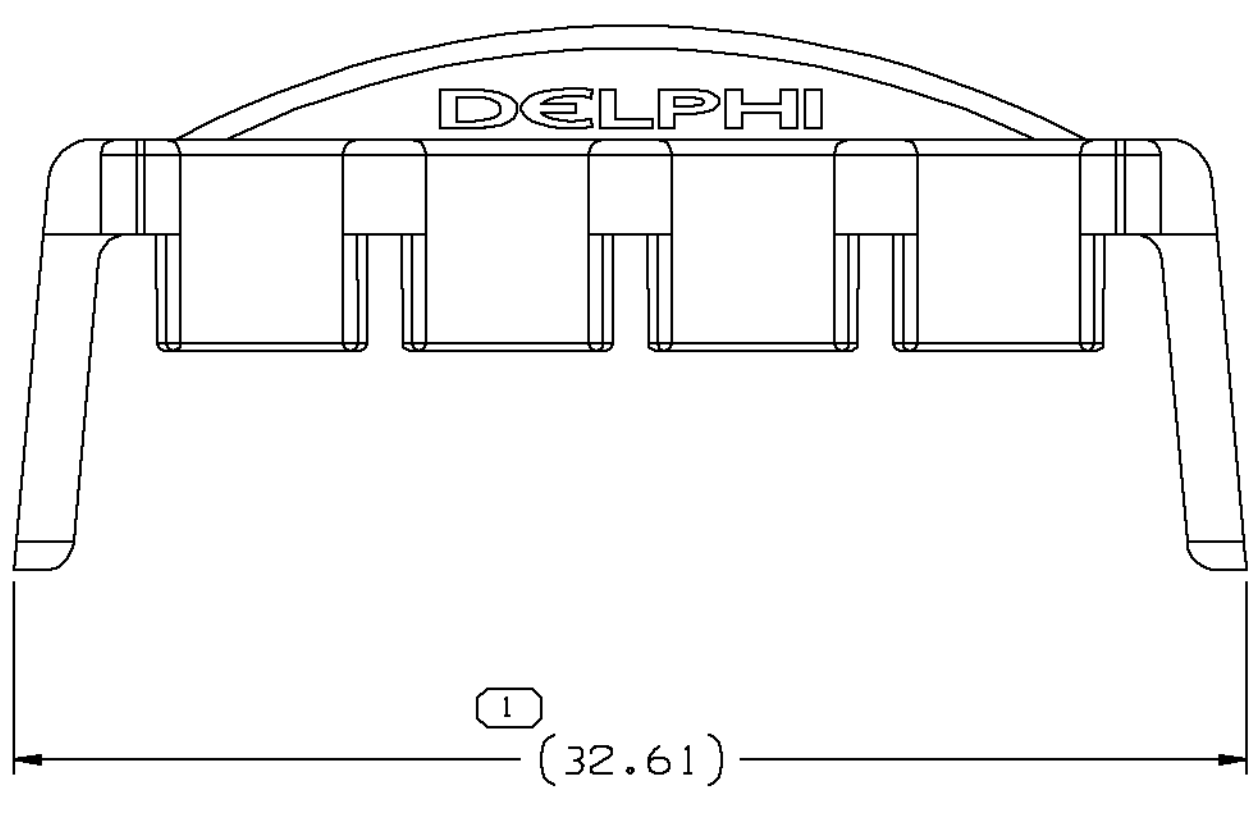


SYMBOL DEFINITION		MISSING SYMBOLS	
A DIMENSION WITHOUT AN INSPECTION REPORT SYMBOL DOES NOT REQUIRE INSPECTION. IT MAY BE CONTROLLED ON THE INDIVIDUAL COMPONENT DRAWING.	TOTAL NO OF INSPECTIONS REQUIRED	NO MISSING SYMBOL NUMBER	
	41		
	LAST NO. USED		
	11		

DWG STATUS				REVISION HISTORY				AUTH	DR	APVD	APVD
DATE	STG	REV	W/P	CHG	ZONE	Cleared Rev Col & Revised Tolerances - SPLCS		224660	CJC	CJC	JM
26AP02	R	01	AA	-							



VIEW SCALE DOES NOT REFLECT ACTUAL PART SIZE

NOTES

- UNLESS OTHERWISE SPECIFIED AND/OR INDICATED: DIMENSIONS ARE TO FACE OF VIEW SHOWN AND AUTOMATICALLY ROUNDED BY COMPUTER FOR INSPECTION (SEE MATH MODEL FOR PRECISE DIMENSIONS). FOR ALL OTHER DIMENSIONS NOT SHOWN BUT REQUIRED FOR TOOL BUILD, SEE MATH MODEL FOR PRECISE TOOL PATH DATA.
- MATING COMPONENTS OR EQUIVALENT: 15326654 & 15326655
- THIS PART IS NOT CONTROLLED FOR AUTOMATIC FEEDING.
- MATERIAL RECYCLING CODE >PA66< PER SAE J1344. (1)(X)(0.1) RAISED CHARACTERS AS SHOWN TO BE LOCATED ON ANY EXTERIOR SURFACE. OPTIONAL CONSTRUCTION TO BE NO MATERIAL RECYCLING CODE.
- (1)(X)(0.1) RAISED DELPHI CORPORATE BRAND TO BE LOCATED ON ANY EXTERIOR SURFACE, PREFERABLY VISIBLE AT FINAL ASSEMBLY. OPTIONAL CONSTRUCTION TO BE "PED" OR NO LOGO.

	DIMENSIONAL RANGE (MM) FROM TO TOLERANCE UNLESS OTHERWISE SPECIFIED 0-20 ±0.3 20-30 ±0.4 30-70 ±0.5 70-100 ±0.6 100-150 ±0.8 150-200 ±1 200-250 ±1.2 250-300 ±1.5 300-400 ±2	CHART ET 300 400	REFERENCE DIMENSIONS ENCLOSED IN ( ) INDICATE RETIRED, DURING QMG AND NO TOLERANCE LIMITS ARE ESTABLISHED	THIRD ANGLE PROJECTION 	DO NOT SCALE USE MATH DATA 
	(7) PROCESS SENSITIVE DIMENSION				

**DELPHI**  
DELPHI PACKARD ELECTRIC SYSTEMS  
WARREN, OH

DR	DATE
APVD1 LUIS ORDUNA A.	06MR02
APVD2 G. G. IZQUIERDO	07MR02
APVD3 JEFF MENDENHALL	08MR02
APVD4	
APVD5	

MATERIAL: M3592025 PA66 HS 1M GRA MD

DRAWING NAME: TPA 8F GT 280 SLD

DRAWING NUMBER: 15430896

SIZE	SCALE	FRAME NO	SHEET NO	STG	REV	W/P
A0	5:1	1	1	1	01	AA