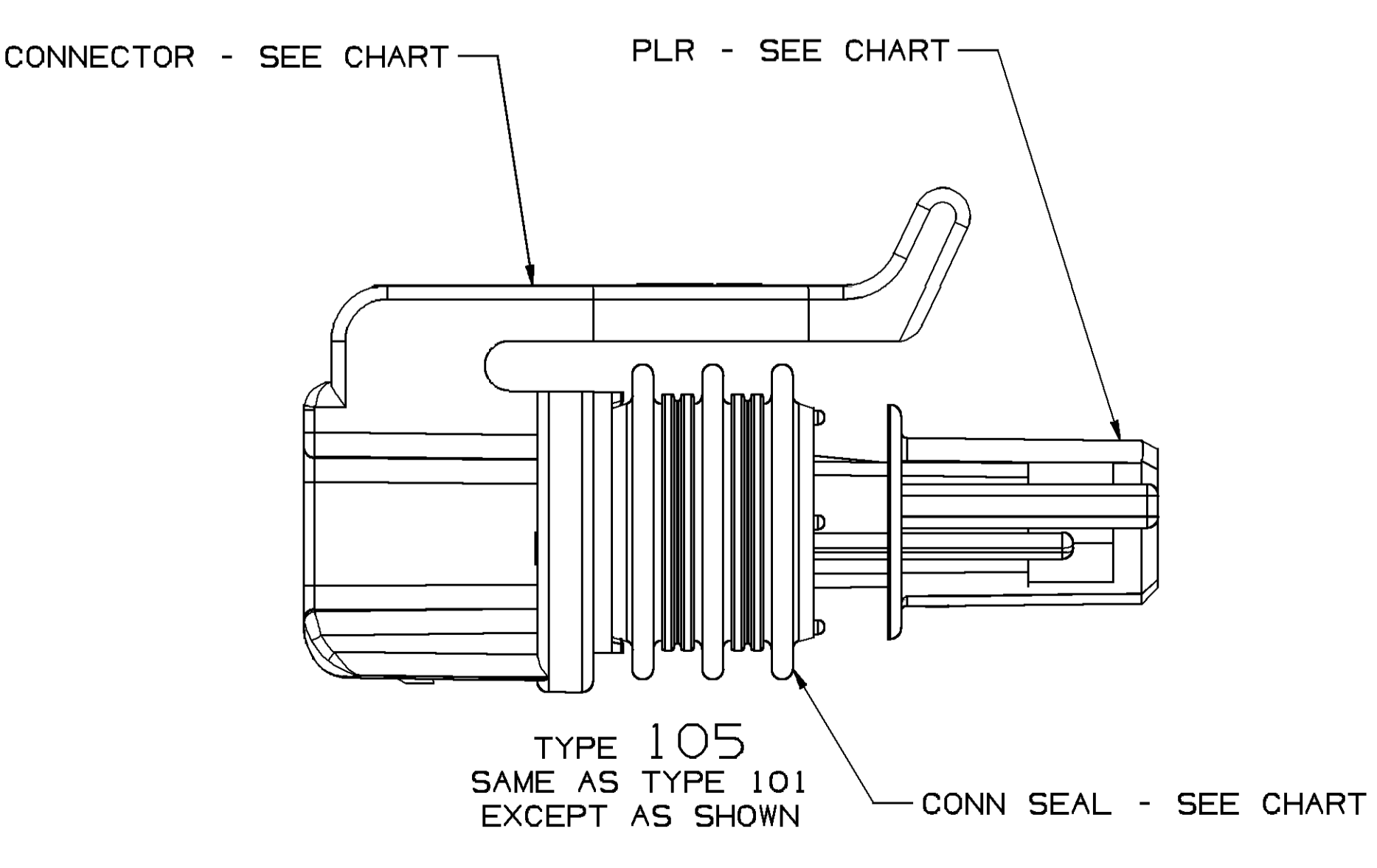
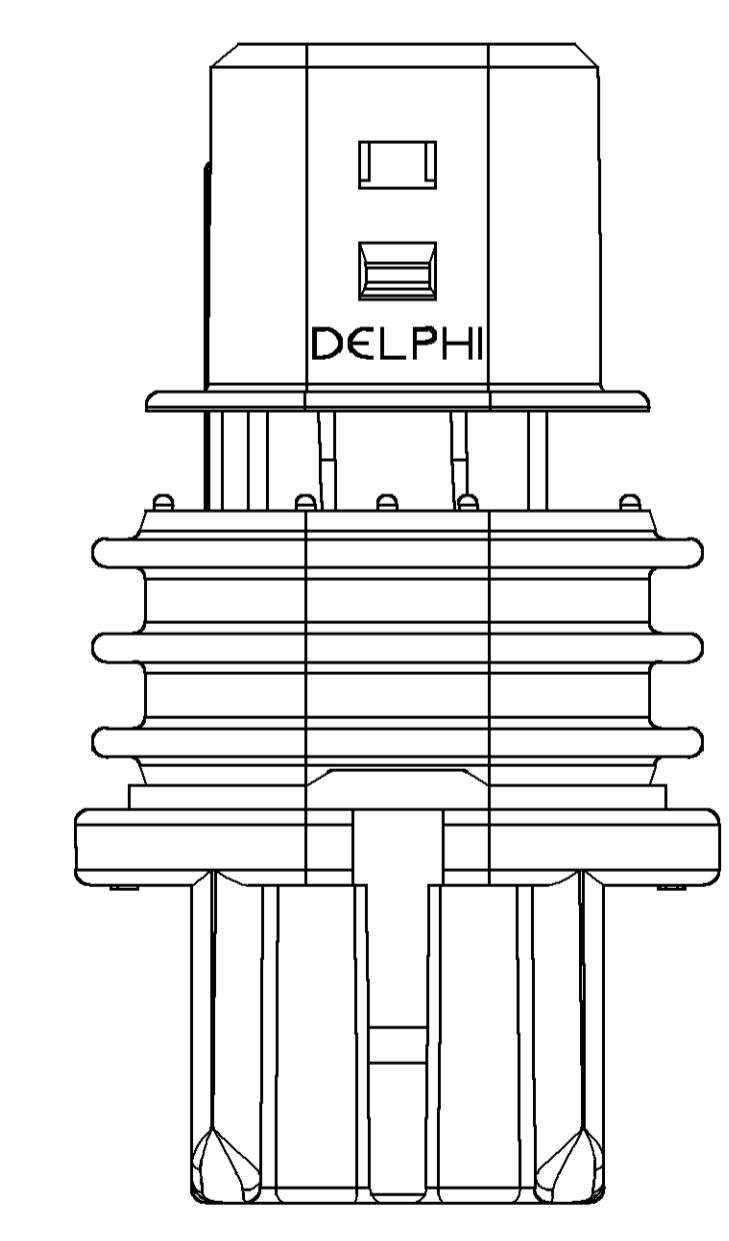
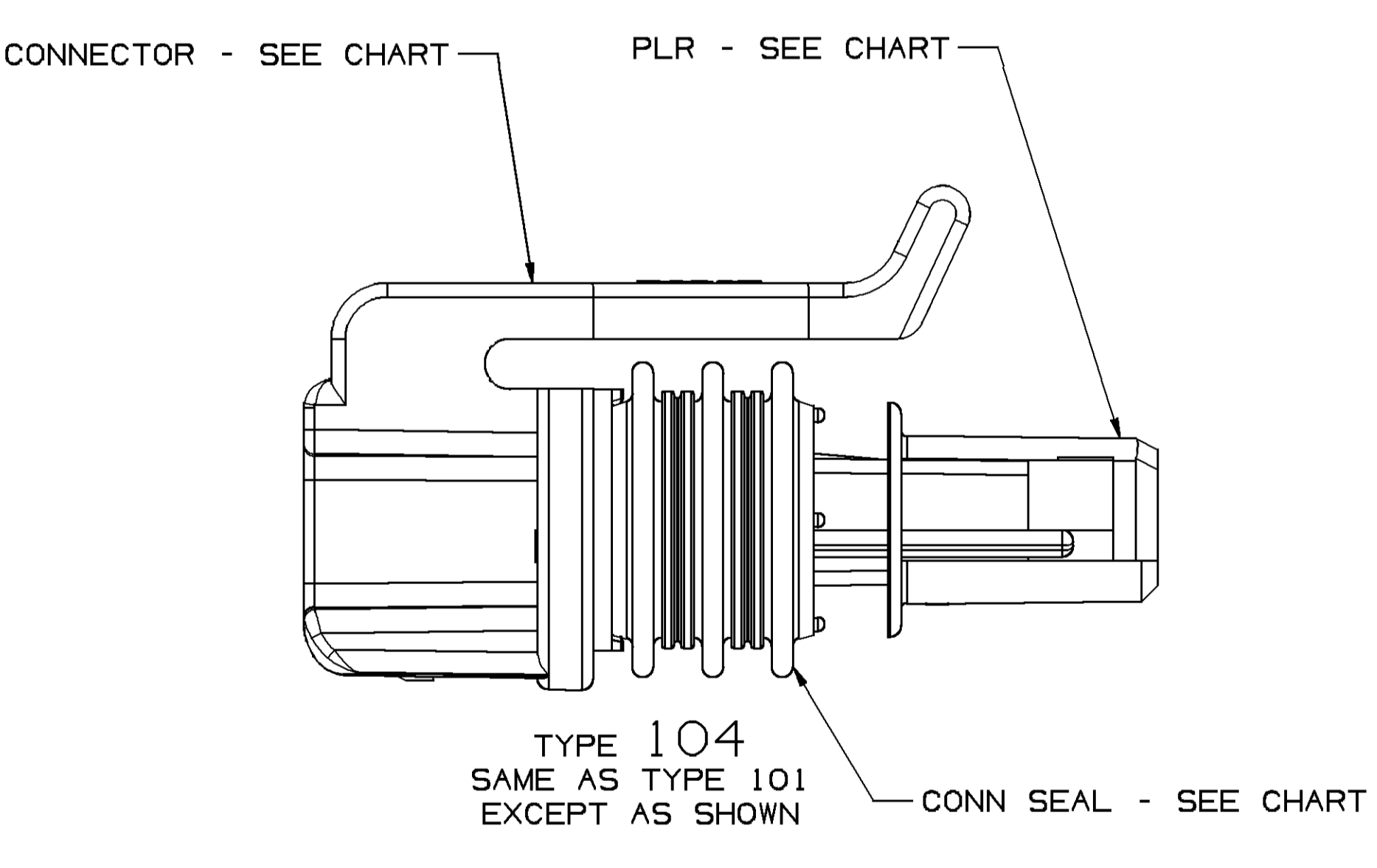
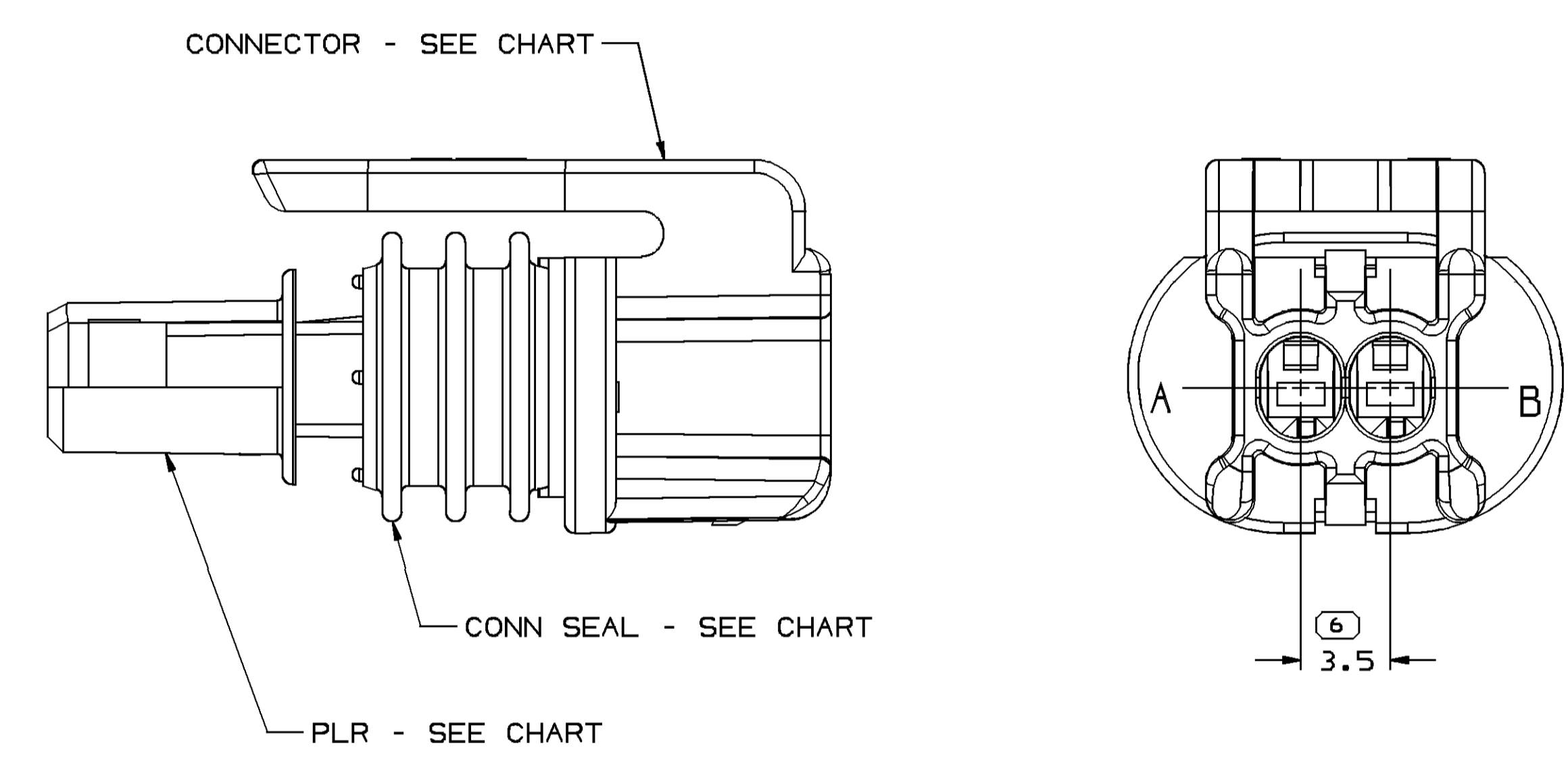
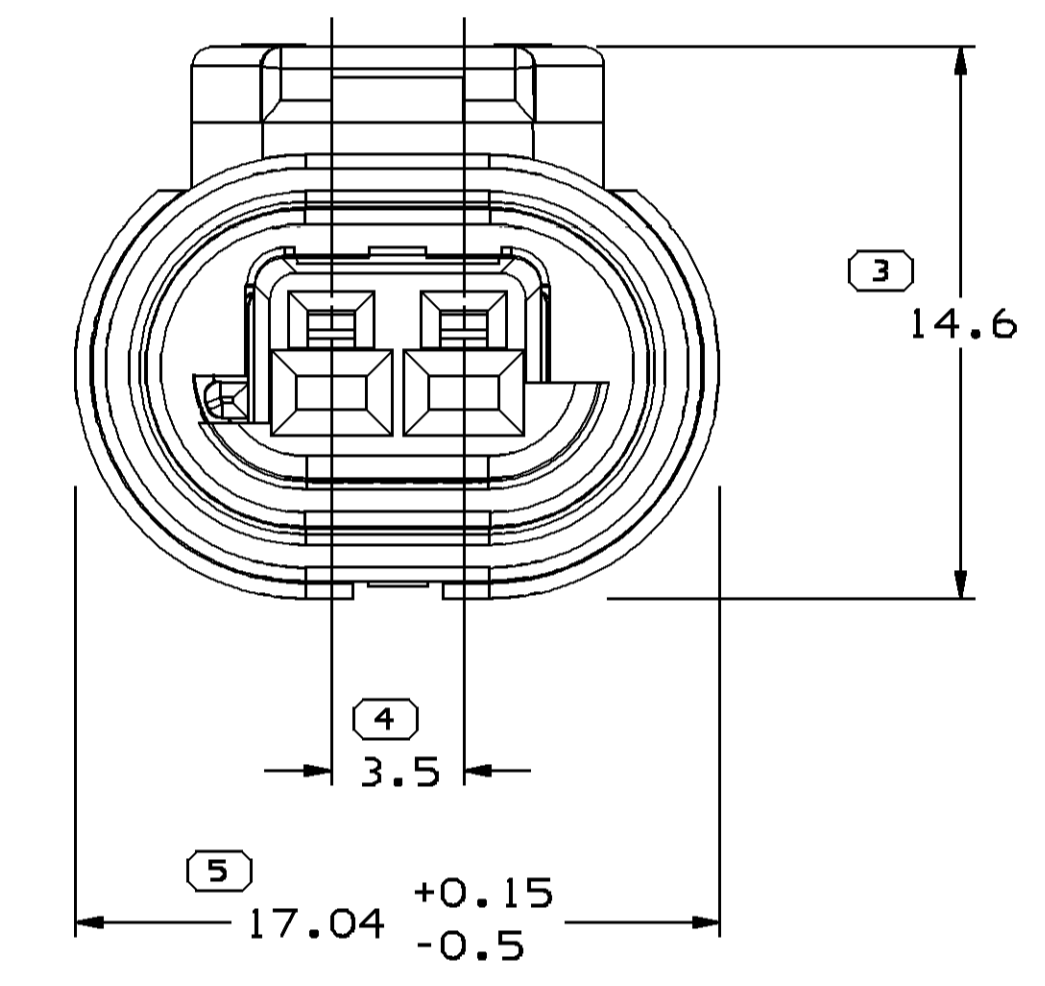
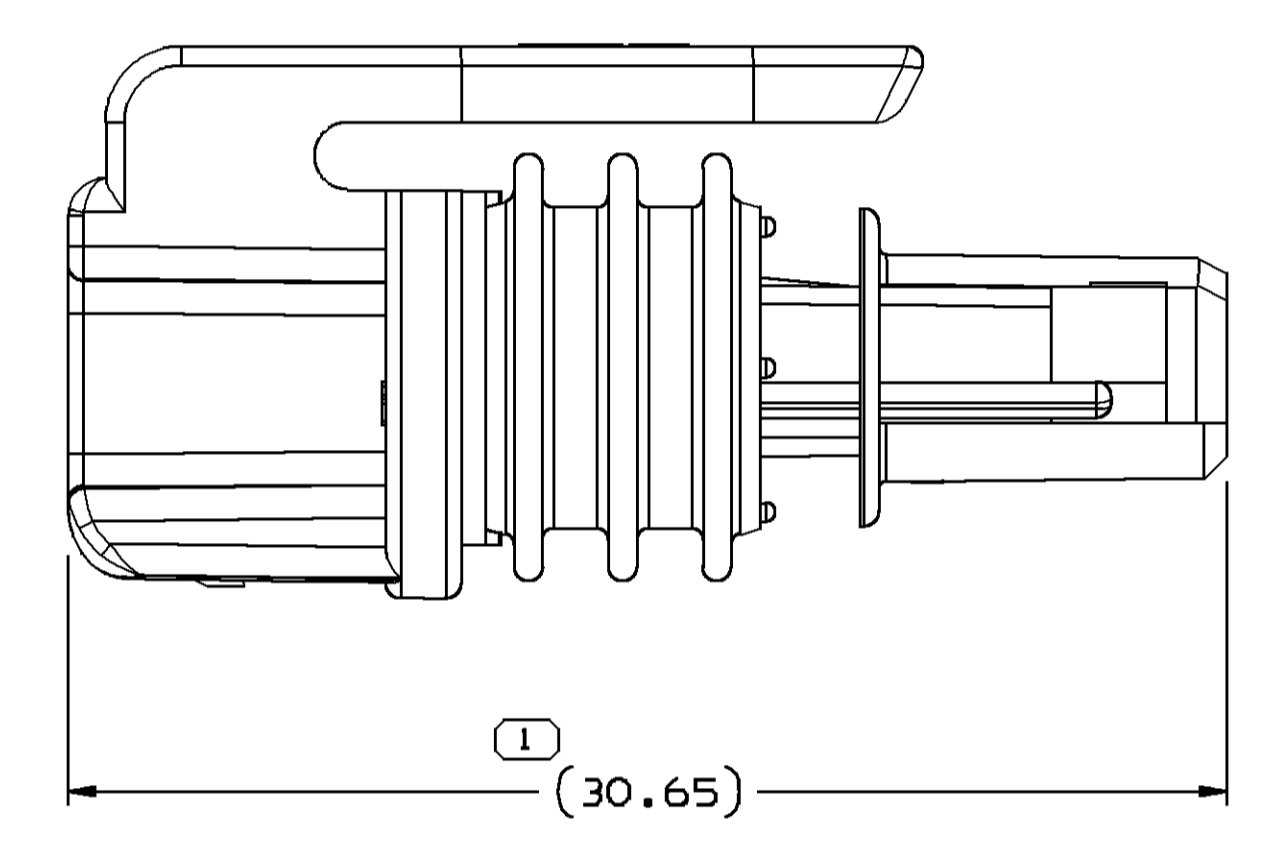
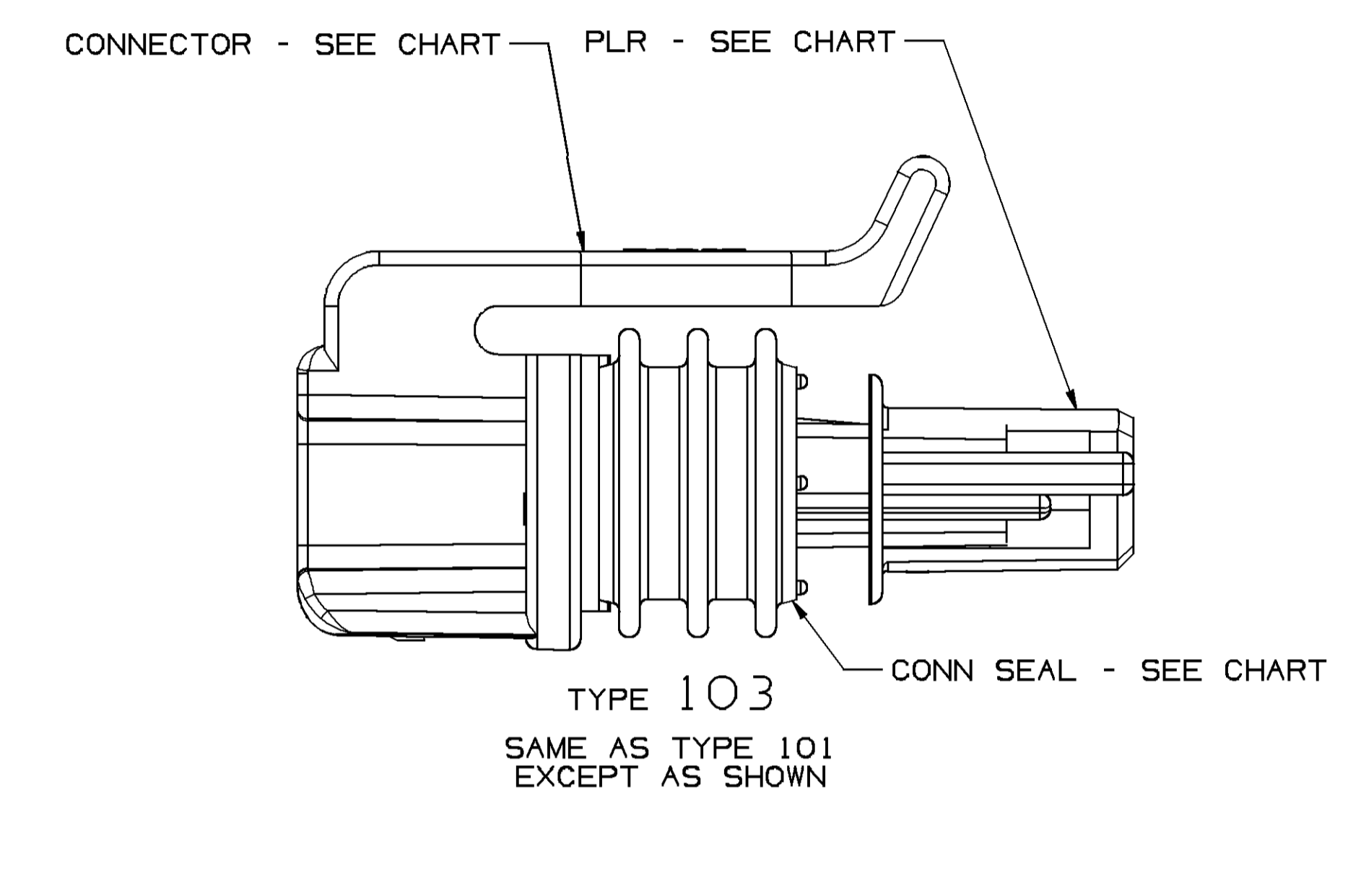
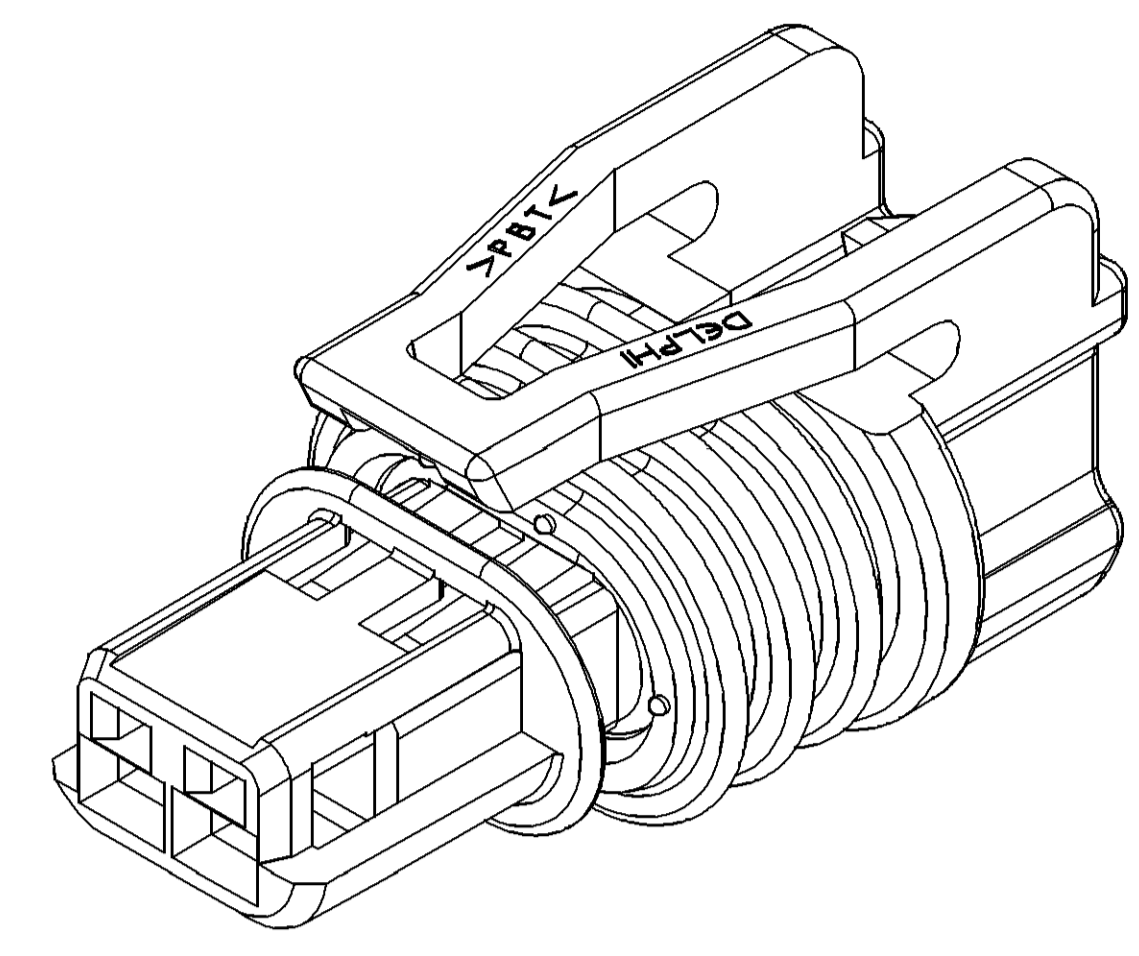
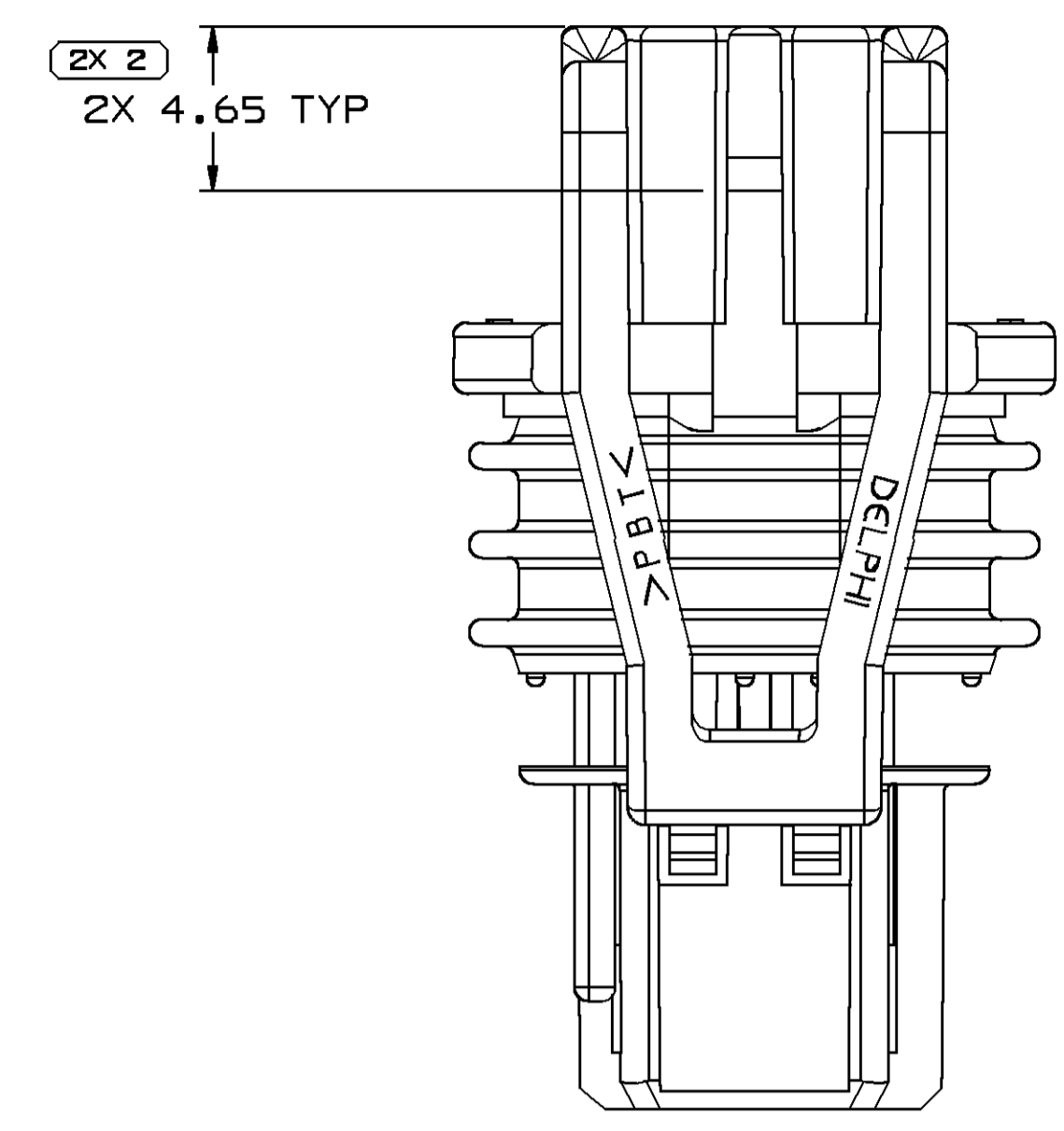
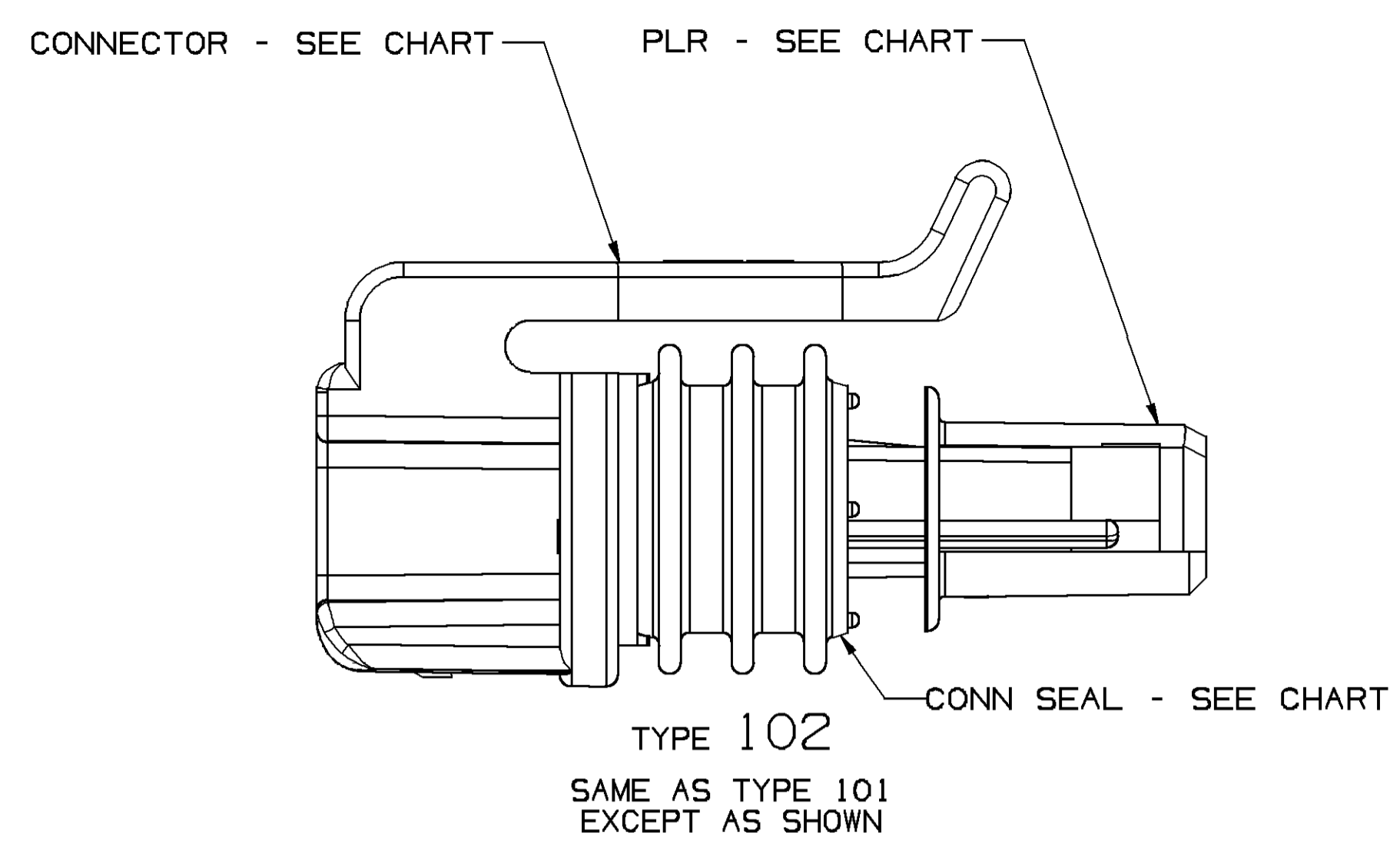


SYMBOL DEFINITION		MISSING SYMBOLS	
A DIMENSION WITHOUT AN INSPECTION REPORT SYMBOL DOES NOT REQUIRE INSPECTION. IT MAY BE CONTROLLED ON THE INDIVIDUAL COMPONENT DRAWING.	TOTAL NO OF INSPECTIONS REQUIRED	NO MISSING SYMBOL NUMBER	
	7		
	LAST NO. USED		
	6		

DATE		REV		N/P		CHG		ZONE		REVISION HISTORY		AUTH		DR		AP/VD/AP/VD	
030C02	R	01	-	-	-	-	-	-	-	ALL PARTS - RELEASED		231066	JHN	FR0	MBO	1	2
16DE02	R	02	-	-	-	-	-	-	-	ALL PARTS - UPDATED PDM ATTRIBUTES		234651	TLD	TLD	MDB		
12MY03	R	03	-	-	-	-	-	-	-	ALL PARTS - REVISED PDM ATTRIBUTES		240904	CJP	CJP	CD		
02FE04	R	04	-	-	-	-	-	-	-	15487232 - RELEASED ALL PARTS - UPDATED ASM		250348	MAC	MAC	LMN		
14AP04	R	05	-	-	-	-	-	-	-	REVISD 15487232 - PLR WAS 15335989		254051	LLJ	LLJ	LMN		
20AP04	R	06	-	-	-	-	-	-	-	15487232 - MATING CONF16. WAS 15336018		254217	ADK	ADK	LMN		
07JN04	R	07	-	-	-	-	-	-	-	ADDED TYPE 105		255733	LLJ	LLJ	LN		
16AU04	-	08	-	-	-	-	-	-	-	TOLERANCE ON DIM #5 WAS ±0.15		258092	AKJ	AKJ	LMN		
040C04	R	09	-	-	-	-	-	-	-	ALL PARTS - ADDED CAVITY FLUSH TO NOTES! 15487232 WAS TYPE 104, 15497504 WAS TYPE 105; ADDED PARTS 13512989 AND 13512990 - RELEASED		259628	RH	RH	TV		
08AP05	R	10	-	-	-	-	-	-	-	ALL PARTS - ADDED "SAE/USCAR" NOTE, REVISED MATING CONF16. PART NUMBERS		266886	ADK	ADK	LMN		
16MR06	R	11	-	-	-	-	-	-	-	13577140 & 13577141 - RELEASED		277700	CJP	CJP	TAV		
03AP07	R	12	-	-	-	-	-	-	-	15449028 - UPDATED PDM ATTRIBUTES		400955	RMG	FRG	JSB		
10DE10	R	13	-	-	-	-	-	-	-	13842193 - RELEASED! ALL PARTS - ADDED ADHESIVE NOTE		412863	MEA	FRF	MEA		
10SE12	R	14	-	-	-	-	-	-	-	REVISED GRAPHICS		417355	AAS	SJS	AAS		
19SE12	R	15	-	-	-	-	-	-	-	13842193 - UPDATED THE USE OF ADHESIVE AND ADDED PART NUMBER WITH ADHESIVE COLUMN ON CHART		419683	JFF	SJS	JFF		



- NOTES
- UNLESS OTHERWISE SPECIFIED AND/OR INDICATED: DIMENSIONS ARE TO FACE OF VIEW SHOWN AND AUTOMATICALLY ROUNDED BY COMPUTER FOR INSPECTION (SEE MATH MODEL FOR PRECISE DIMENSIONS). FOR ALL OTHER DIMENSIONS NOT SHOWN BUT REQUIRED FOR TOOL BUILD, SEE MATH MODEL FOR PRECISE TOOL PATH DATA.
 - THIS PRODUCT IS NOT CATEGORIZED AS AN APPEARANCE ITEM, MINOR IMPERFECTIONS INCLUDING, BUT NOT LIMITED TO, FLOW MARKS, COLOR BLEMISHES, GATE VESTIGES, AND SOFT FLASH THAT DO NOT AFFECT THE FIT, FORM, OR FUNCTION OF THE PART ARE PERMISSIBLE PER DPNP-4.7-CS-01.
 - THIS CONNECTION MEETS OR EXCEEDS SAE/USCAR-2 MAY 2004, SECTION 5.4.1.4 TERMINAL DISENGAGE CRITERIA WITH THE APPLICATION OF A TERMINAL POSITION ASSURANCE (TPA) SECONDARY LOCK.
 - FOR PART NUMBER WITH ADHESIVE, USE M3510001 OR ADHESIVE APPROVED BY MATERIALS ENGINEERING TO GLUE CONNECTOR SEAL TO CONNECTOR.
 - FOR APPLICATION DATA SEE THE INDIVIDUAL APPLICATION DRAWINGS.

PART NO WITH ADHESIVE	REV	N/P	PART NO WITHOUT ADHESIVE	REV	N/P	TYPE	CONNECTOR	PLR	CONN SEAL
-	-	-	13577141	01	AA	105	15449024	15335989	13511248
-	-	-	13577140	01	AA	105	15487233	15335989	13511248
-	-	-	13512990	01	AB	104	15487233	15336006	13511248
-	-	-	13512989	01	AB	104	15449024	15336006	13511248
-	-	-	15497504	01	AD	103	15487233	15335989	12040750
-	-	-	15487232	02	AE	102	15487233	15336006	12040750
-	-	-	15449027	02	AF	103	15449024	15335989	12040750
13842193	01	AB	15449028	02	AG	102	15449024	15336006	12040750
-	-	-	15449029	02	AF	101	15449025	15336006	12040750

DIMENSIONAL RANGE (MM)	CHART	EST
FROM > 0	> 20	> 30
> 30	> 70	> 100
> 100	> 150	> 200
> 200	> 250	> 300
> 300	> 400	> 500

DELPHI
DELPHI PACKARD ELECTRICAL/ELECTRONIC ARCHITECTURE
WARREN, OH
COPYRIGHT 2002 DELPHI CORPORATION AND/OR ITS AFFILIATES. ALL RIGHTS RESERVED.
THIS DRAWING IS THE PROPERTY OF DELPHI CORPORATION. THE REPRODUCTION, DISTRIBUTION AND UTILIZATION OF THIS DOCUMENT OR ITS RELATED CAD DATA AS WELL AS COMMUNICATION OF ANY CONTENT TO OTHERS, WITHOUT EXPRESS AUTHORIZATION IS PROHIBITED.

DATE: 030C02
DR: JOSE HDEZ NOVOA
AP/VD: FCO RESENDIZ
AP/VD: MATTHEW BRUMBACH
AP/VD: 070C02

DRAWING NAME: TAXI ASM CONN F 0T 150 SLD
DRAWING NUMBER: 15449030

SIZE: A0
SCALE: 5:1
FRAME NO: 1 OF 1
SHEET NO: 1 OF 1
STG: R
N/P: 15