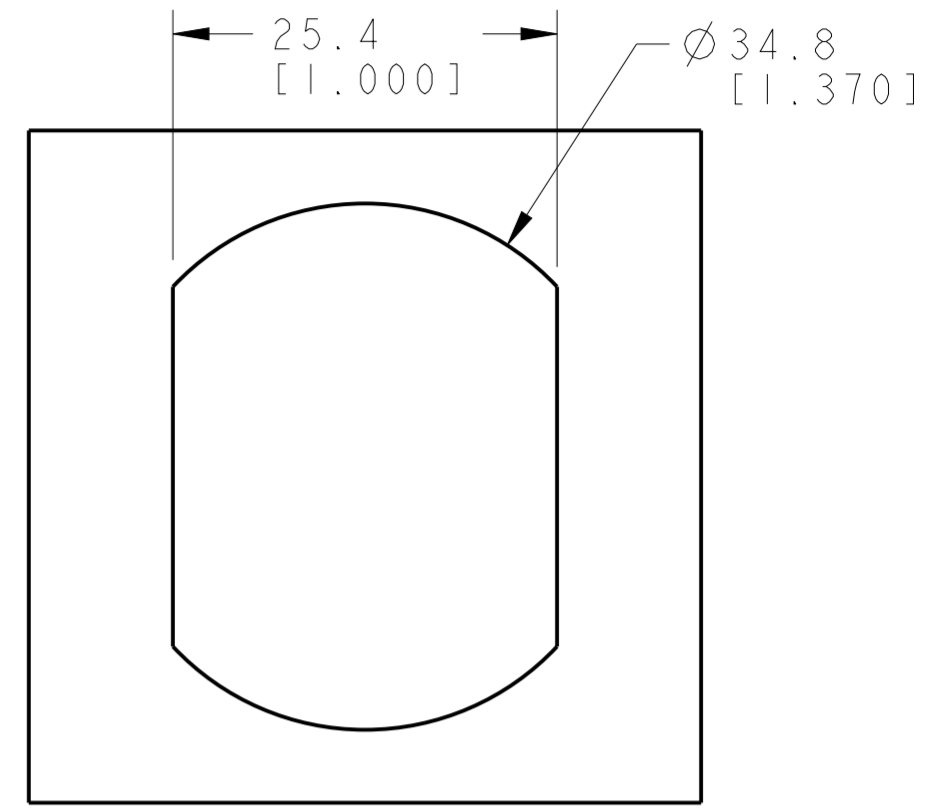
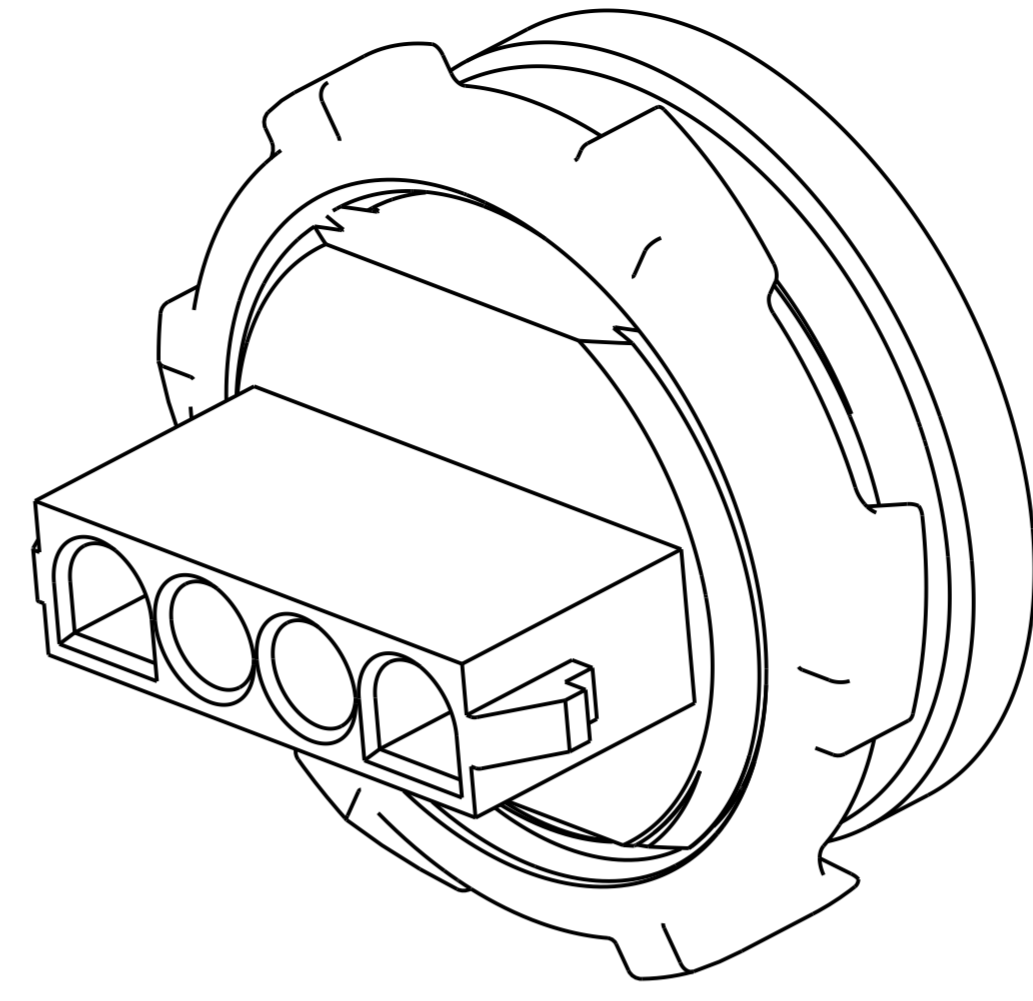
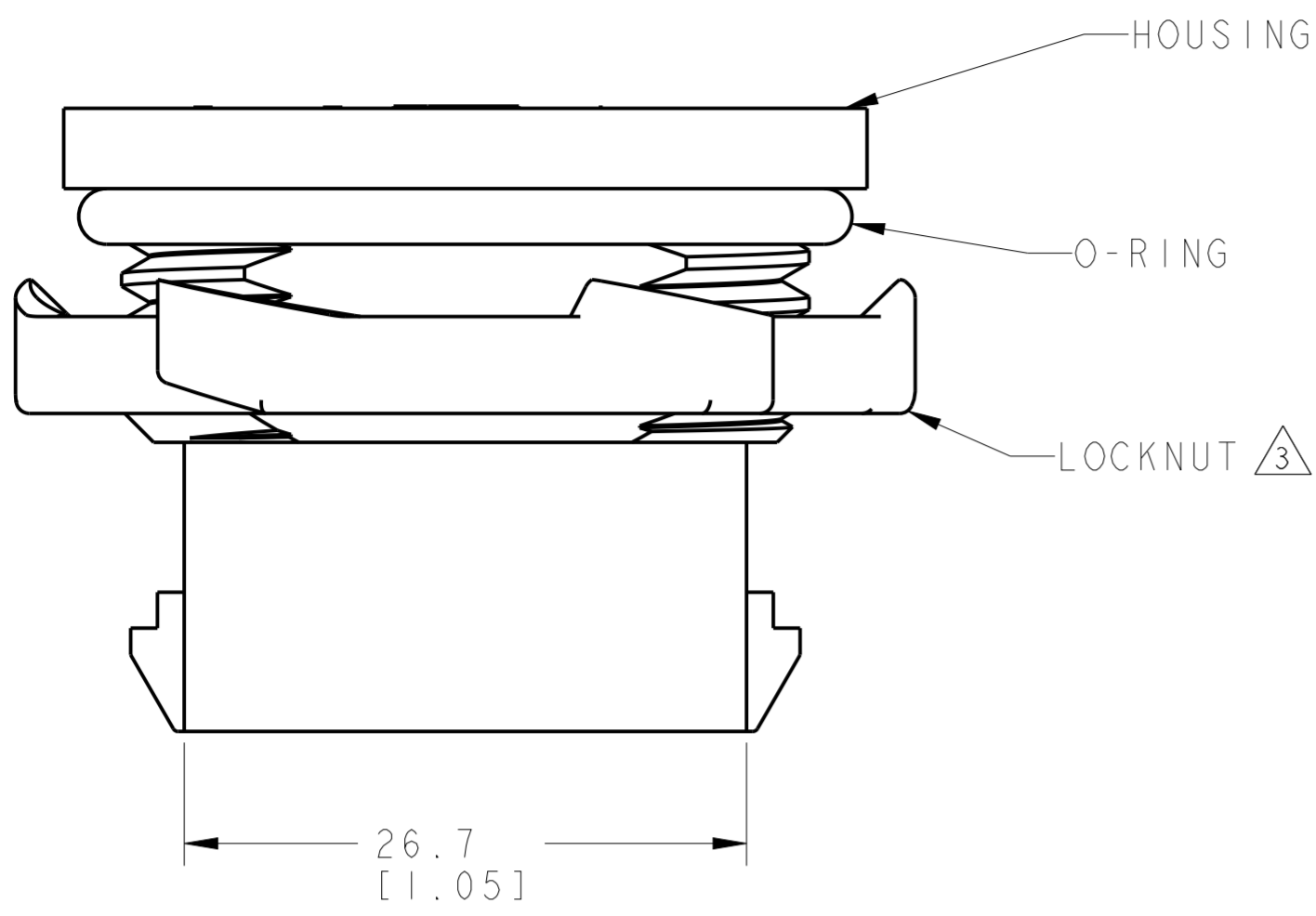
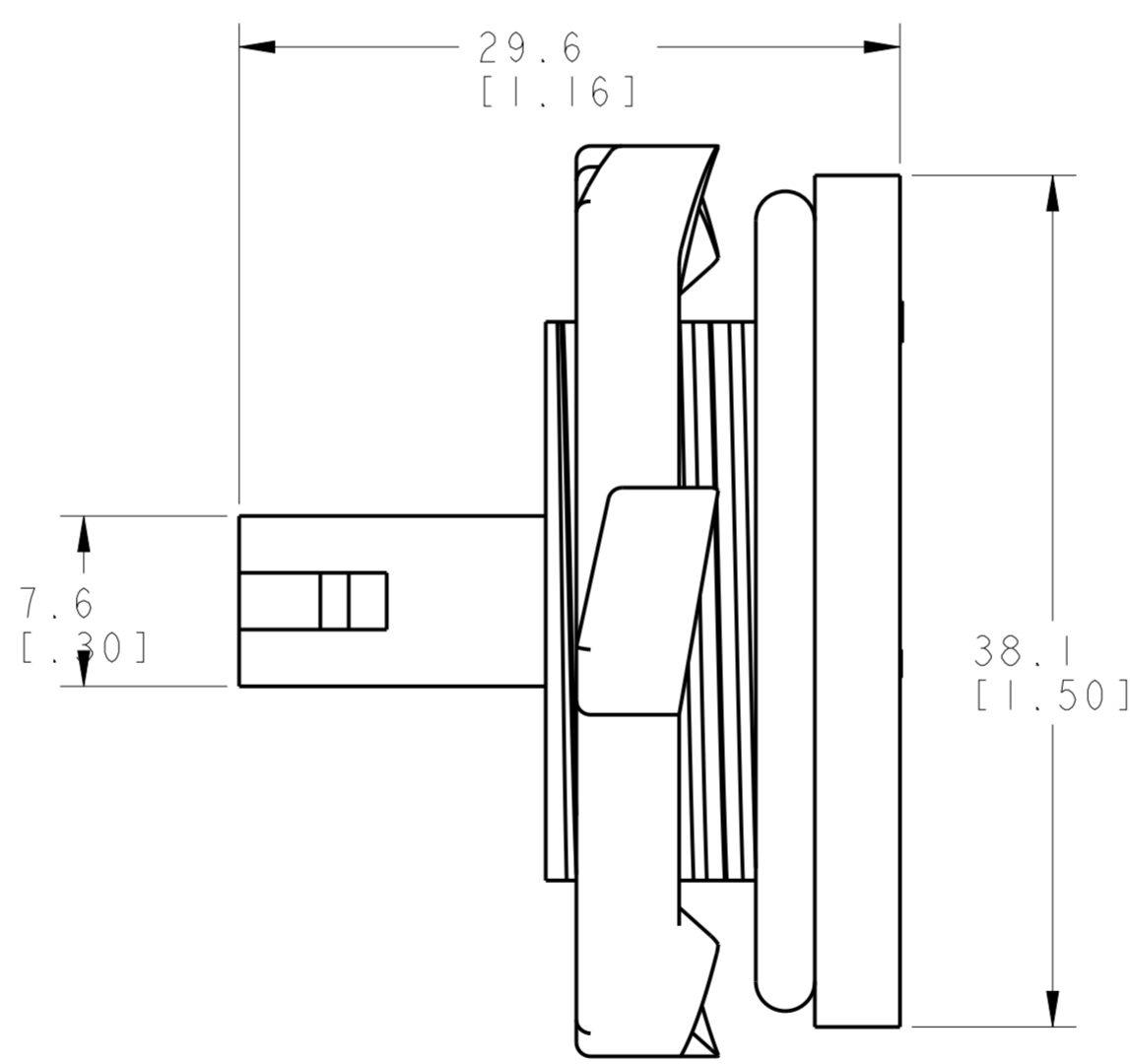
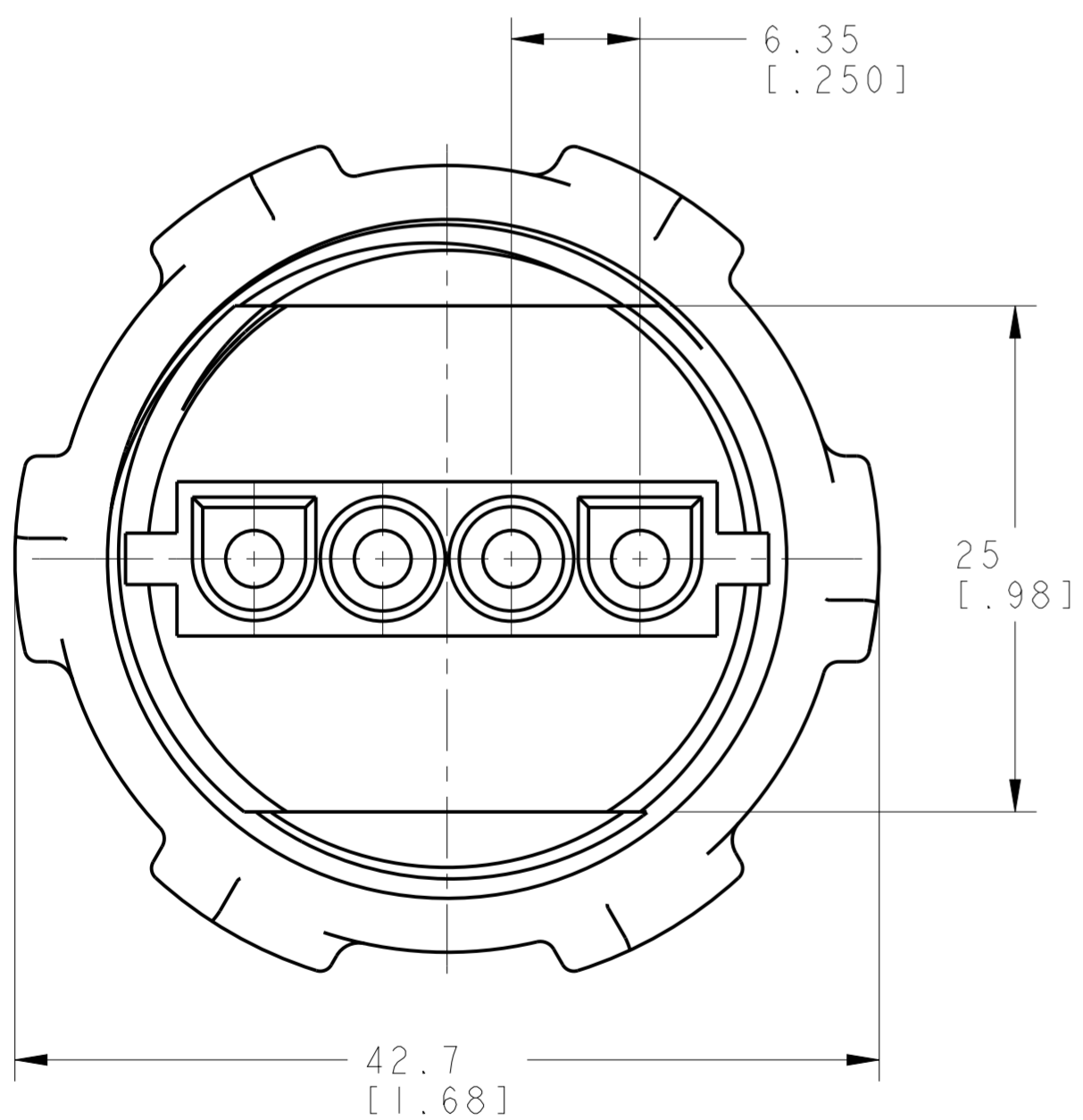


THIS DRAWING IS UNPUBLISHED. RELEASED FOR PUBLICATION 20
 © COPYRIGHT 20 BY - ALL RIGHTS RESERVED.

REVISIONS					
P	LTR	DESCRIPTION	DATE	DWN	APVD
A1		REVISED PER ECR-17-015449	25OCT2017	BDA	KR
A2		REVISED PER ECO-20-008510	17JUN2020	WLS	DZ
A3		REVISED PER ECN-20-100768	03DEC2020	WLS	VS
B		REVISED PER ECN-21-103649	10MAY2021	WLS	VS



RECOMMENDED
PANEL CUT-OUT
SCALE 2:1



- \triangle LOCKNUT : METAL
HOUSING : NYLON, FLAME RETARDANT, UL94-V0
O-RING : NEOPRENE BLACK (-1) OR
SILICONE RUBBER RED (1- -1).
- \triangle LOCKNUT : PLATED
- \triangle LOCKNUT, SIX(6) OR EIGHT(8) SYMETRICAL
PLACED GRIP POINTS PERMISSIBLE.
- 4 DIMENSIONS SHOWN REPRESENT PRODUCT
IN DRY, AS MOLDED, CONDITION.
ADDITIONAL 2% GROWTH DUE TO SUBSEQUENT
MOISTURE ABSORPTION MAY OCCUR AND
SHOULD BE ACCOUNTED FOR.
- \triangle ROHS COMPLIANT.

\triangle 1-1604256-1
OBSOLETE ~~1604256-1~~
PART NO

THIS DRAWING IS A CONTROLLED DOCUMENT.		DWN J.C. YOSLER 22APR2002	STE TE Connectivity	
DIMENSIONS: INCHES		CHK J.H. WEAVER 22APR2002		
TOLERANCES UNLESS OTHERWISE SPECIFIED:		APVD J.H. WEAVER 22APR2002	NAME BULKHEAD CONNECTOR ASSEMBLY 4 CIRCUIT, UNIVERSAL MATE-N-LOK(TM)	
0 PLC \pm 1 PLC ± 0.5 [.02] 2 PLC ± 0.13 [.005] 3 PLC \pm 4 PLC \pm ANGLES \pm FINISH \triangle		PRODUCT SPEC -	SIZE A2	CAGE CODE 00779
MATERIAL \triangle		APPLICATION SPEC -	DRAWING NO C-1604256	RESTRICTED TO
		WEIGHT -	SCALE 3:1 SHEET 1 OF 1 REV B	
		CUSTOMER DRAWING		