

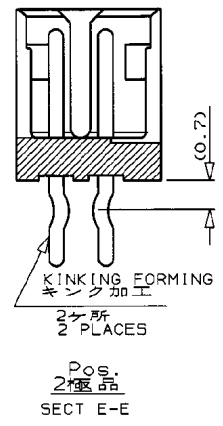
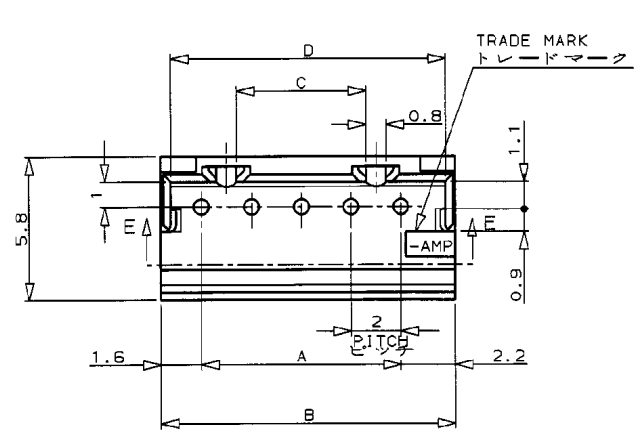
NUMBER C-175487



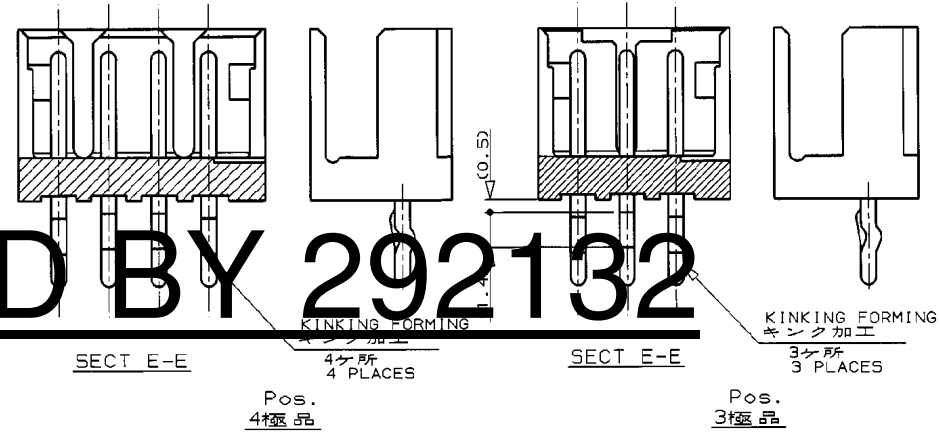
METRIC

DIMENSIONS IN MILLIMETERS. DO NOT SCALE PRINT

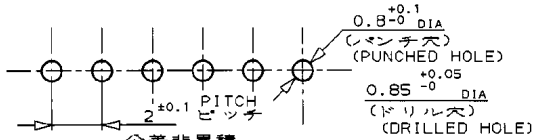
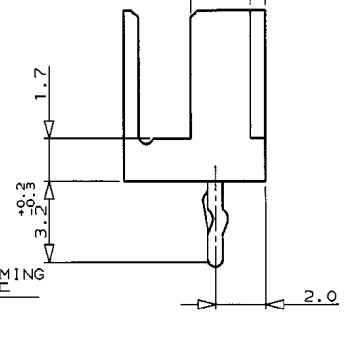
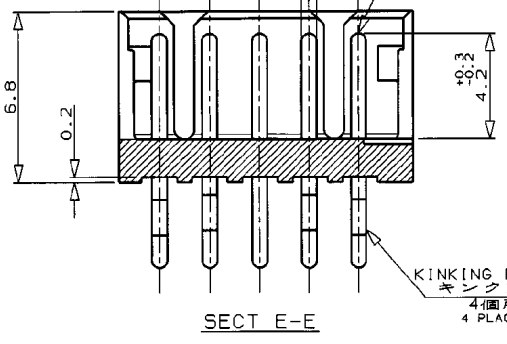
PRINT DIST



注 ;
 1. 材料 : HSG - 66ナイロン樹脂UL94V-0
 ポスト - 半田メッキ付黄銅
 NOTES ;
 1. MATERIAL: HOUSING - 66 NYLON (UL94V-0)
 POST - POST PLATED TIN LEAD BRASS



SUPERSEDED BY 292132



RECOMMENDABLE P.C. BOARD LAYOUT
 推奨基板寸法
 (板厚 0.8-1.6)
 (PCB THK: 0.8-1.6)

	7-175487-5	5-175487-5	3-175487-5	1-175487-5	15	28	31.8	25.2	31.0
	7- ↑	4 5- ↑	4 3- ↑	4 1- ↑	14	26	29.8	23.2	29.0
	7- ↓	3 5- ↓	3 3- ↓	3 1- ↓	13	24	27.8	21.2	27.0
	7- ↑	2 5- ↑	2 3- ↑	2 1- ↑	12	22	25.8	19.2	25.0
	7- ↓	1 5- ↓	1 3- ↓	1 1- ↓	11	20	23.8	17.2	23.0
	7- ↑	0 5- ↑	0 3- ↑	0 1- ↑	10	18	21.8	15.2	21.0
	6- ↓	9 4- ↓	9 2- ↓	9 0- ↓	9	16	19.8	13.2	19.0
	6- ↑	8 4- ↑	8 2- ↑	8 0- ↑	8	14	17.8	11.2	17.0
	6- ↓	7 4- ↓	7 2- ↓	7 0- ↓	7	12	15.8	9.2	15.0
B-175487-6	6- ↓	6 4- ↓	6 2- ↓	6 0- ↓	6	10	13.8	7.2	13.0
	6- ↑	5 4- ↑	5 2- ↑	5 0- ↑	5	8	11.8	5.2	11.0
	6- ↓	4 4- ↓	4 2- ↓	4 0- ↓	4	6	9.8	3.2	9.0
	6- ↑	3 4- ↑	3 2- ↑	3 0- ↑	3	4	7.8	—	7.0
	6-175487-2	4-175487-2	2-175487-2	175487-2	2	2	5.8	—	5.0
RED 赤色	BLACK 黒色	YELLOW 黄色	BLUE 青色	NATURAL 自然色	Pos. 極数	A	B	C	D

Copyright ©19 年 Tyco Electronics AMP K.K. ALL RIGHTS RESERVED.

AMP Tyco Electronics AMP K.K. Kawasaki, Japan

WIRE RANGE: mm (AWG) INSULATION DIA: mm

MATERIAL: SEE NOTE 1 注1参照 FINISH: SEE NOTE 1 注1参照

NAME: ボックス仕様ポストヘッダーアッセンブリ(垂直型) POST HEADER ASS'Y (BOX-V TYPE) (AMP CT CONNECTOR 2mm PITCH)

GENERAL TOLERANCE: 0≤ 10 : ±0.2, 10≤ 30 : ±0.25, 30≤ 100 : ±0.3, ANGLES : ±3°

SIZE: B J NUMBER: C-175487

SCALE: 5-1 REV. L SHEET: 1 OF 2

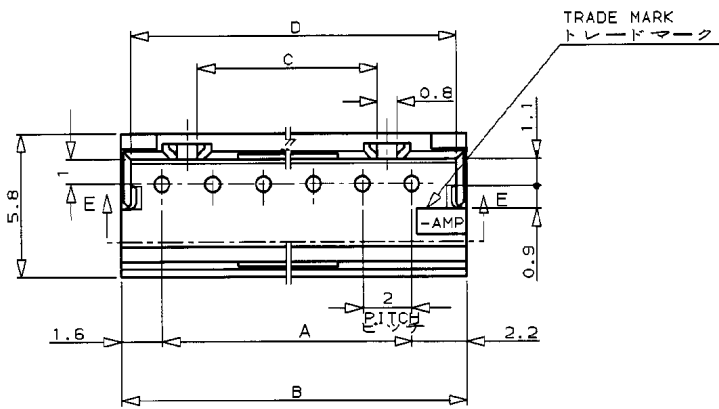
L	SUPERSEDED FB00-0276-04	C.W	I.E	27/JUN/04	DR. T.NAKAMURA
LTR	REVISION RECORD	DR	CHK	DATE	CHK. S.KIKUCHI

CUSTOMER DRAWING

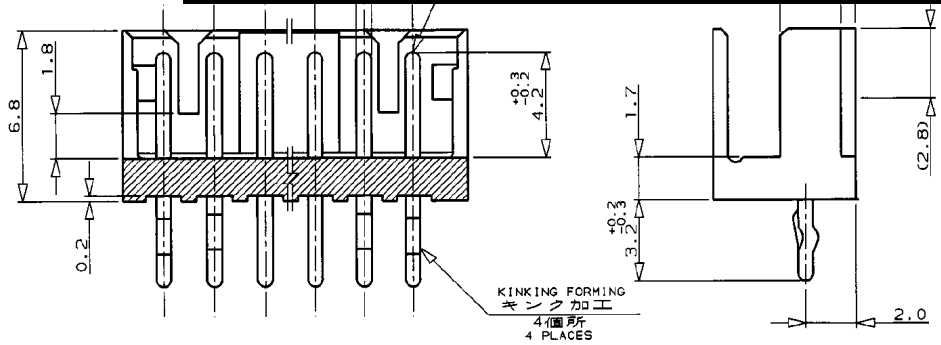
NUMBER C-175487
3-3 ANGLE PROJECTION
METRIC

注：
1. 材料 : HSG - 66ナイロン樹脂UL94V-0
ポスト - 半田メッキ付真鍮

NOTES;
1. MATERIAL: HOUSING - 66 NYLON (UL94V-0)
POST - POST-PLATED TIN LEAD BRASS

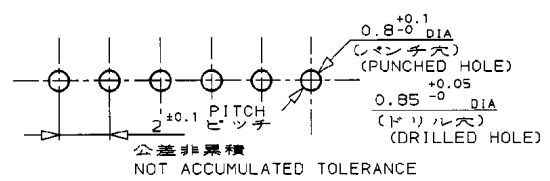


SUPERSEDED BY 292132



	7-175487-5	5-175487-5	3-175487-5	1-175487-5	15	26	31.8	25.2	31.0
	7-4	5-4	3-4	1-4	14	26	29.8	23.2	29.0
	7-3	5-3	3-3	1-3	13	24	27.8	21.2	27.0
	7-2	5-2	3-2	1-2	12	22	25.8	19.2	25.0
	7-1	5-1	3-1	1-1	11	20	23.8	17.2	23.0
	7-0	5-0	3-0	1-0	10	18	21.8	15.2	21.0
	6-9	4-9	2-9		9	16	19.8	13.2	19.0
	6-8	4-8	2-8		8	14	17.8	11.2	17.0
	6-7	4-7	2-7		7	12	15.8	9.2	15.0
8-175487-6	6-6	4-6	2-6		6	10	13.8	7.2	13.0
	6-5	4-5	2-5		5				
	6-4	4-4	2-4		4				
	6-3	4-3	2-3		3				
	6-2	4-2	2-2		2				
	6-1	4-1	2-1		1				
	6-0	4-0	2-0		0				
	6-9	4-9	2-9		9				
	6-8	4-8	2-8		8				
	6-7	4-7	2-7		7				
	6-6	4-6	2-6		6				
	6-5	4-5	2-5		5				
	6-4	4-4	2-4		4				
	6-3	4-3	2-3		3				
	6-2	4-2	2-2		2				
	6-1	4-1	2-1		1				
	6-0	4-0	2-0		0				
RED 赤色	BLACK 黒色	YELLOW 黄色	BLUE 青色	NATURAL 自然色	Pos. 極数				
PART NO. 部品番号					A	B	C	D	

SECT E-E
KINKING FORMING
キッキング加工
4箇所
4 PLACES
Pos.
6~15 極品



RECOMMENDABLE P.C. BOARD LAYOUT
推奨基板寸法
(板厚 0.8-1.6)
(PCB THK: 0.8-1.6)
公差非累積
NOT ACCUMULATED TOLERANCE

LTR	REVISION RECORD	DR	CHK	DATE	CHK.	DATE	APP.	DATE
					S. KUBOUCHI	11/28/91	S. KUBOUCHI	10/29/95

Copyright ©19 年 Tyoo Electronics AMP K.K.
Copyright ©19 年 Tyoo Electronics AMP K.K.
ALL RIGHTS RESERVED.

WIRE RANGE mm² (AWG) - mm²
INSULATION DIA mm²
MATERIAL SEE NOTE 1 注1参照
FINISH SEE NOTE 1 注1参照
DR. T. FURUYA 11/27/91 DE. T. FURUYA
CHK. S. KUBOUCHI 11/28/91 APP. S. KUBOUCHI 10/29/95

AMP Tyoo Electronics AMP K.K. Kawasaki, Japan

NAME ボックス仕様ポストヘッダーアッセンブリ (垂直型)
POST HEADER ASS'Y (BOX-V TYPE)
(AMP CT CONNECTOR 2mm PITCH)

GENERAL TOLERANCE SIZE LOC NUMBER
0\leq10 : ±0.2
10\leq30 : ±0.25
30\leq100 : ±0.3
ANGLES : ±3°

SCALE 5-1 REV. L SHEET 2 OF 2
C-175487

DIMENSIONS IN MILLIMETERS. DO NOT SCALE PRINT

PRINT DIST
AMP-J
REV.10/93

CUSTOMER DRAWING