

PLEASE CHECK WWW.MOLEX.COM FOR LATEST PART INFORMATION

Part Number: [0019091026](#)
Status: **Active**
Overview: Standard .093" Pin and Socket Connectors
Description: 2.36mm Diameter Standard .093" Pin and Socket Receptacle Housing with Positive Latch, UL 94V-0, 2 Circuits

Documents:

[3D Model](#) [Packaging Specification 31910002-PK-000 \(PDF\)](#)
[3D Model \(PDF\)](#) [RoHS Certificate of Compliance \(PDF\)](#)
[Drawing \(PDF\)](#)

Agency Certification

CSA LR19980
 UL E29179

General

Product Family Crimp Housings
 Series [3191](#)
 Application Power, Wire-to-Board, Wire-to-Wire
 Comments Polarized to Mating Part, without Mounting Ears
 Overview [Standard .093" Pin and Socket Connectors](#)
 Product Name Standard .093"
 UPC 800753690233

Physical

Breakaway No
 Circuits (maximum) 2
 Color - Resin Natural
 Flammability 94V-0
 Gender Receptacle
 Glow-Wire Capable No
 Keying to Mating Part None
 Lock to Mating Part Yes
 Material - Resin Nylon
 Net Weight 2.182/g
 Number of Rows 1
 Packaging Type Bag
 Panel Mount No
 Pitch - Mating Interface 6.70mm
 Polarized to Mating Part Yes
 Stackable No
 Temperature Range - Operating -40° to +105°C

Electrical

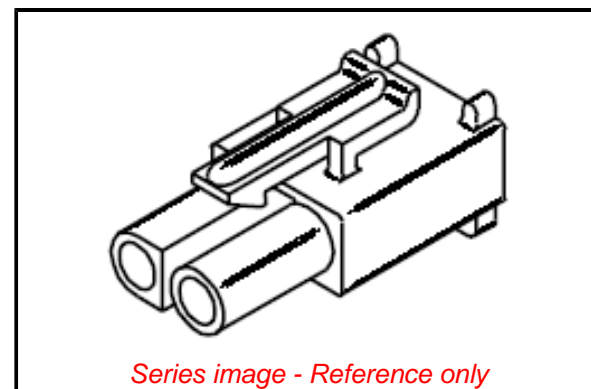
Current - Maximum per Contact 12.0A

Material Info

Engineering Number 3191-2R1-201

Reference - Drawing Numbers

Packaging Specification 31910002-PK-000
 Sales Drawing SD-3191-2X



EU ELV

Not Relevant

EU RoHS

Compliant

REACH SVHC

Not Contained Per -
 D(2020)9139-DC (19
 Jan 2021)

Halogen-Free

Status

Low-Halogen

For more information, please visit [Contact US](#)

China ROHS

ELV

RoHS Phthalates

China RoHS

Green Image

Not Relevant

Not Contained

Search Parts in this Series

[3191](#) Series

Mates With

Standard .093" Plug Housing [19092026](#)
 , [19092027](#) , [19092028](#) , [19092029](#) .
 Standard .093" Pin and Socket Header [5219](#)

Use With

Standard .093" Female Crimp Terminals
[1189](#) , [1381](#) , [1433](#) , [4550](#) . Standard .093"
 Male Crimp Terminals [1190](#) , [1380](#) , [1434](#) ,
[1973](#) , [42138](#)