

PLEASE CHECK WWW.MOLEX.COM FOR LATEST PART INFORMATION

Part Number: [0019091099](#)
Status: **Active**
Overview: Standard .093" Pin and Socket Connectors
Description: 2.36mm Diameter Standard .093" Pin and Socket Receptacle Housing with Positive Latch, UL 94V-2, 9 Circuits

Documents:

3D Model	Product Specification PS-3191-001-001 (PDF)
Drawing (PDF)	Packaging Specification 31910001-PK-000 (PDF)
3D Model (PDF)	RoHS Certificate of Compliance (PDF)

Agency Certification

CSA	LR19980
UL	E29179

General

Product Family	Crimp Housings
Series	3191
Application	Power, Wire-to-Board, Wire-to-Wire
Comments	Polarized to Mating Part
Overview	Standard .093" Pin and Socket Connectors
Product Name	Standard .093"
UPC	800753594531

Physical

Breakaway	No
Circuits (maximum)	9
Circuits Detail	3x3
Color - Resin	Natural
Flammability	94V-2
Gender	Receptacle
Glow-Wire Capable	No
Keying to Mating Part	None
Lock to Mating Part	Yes
Material - Resin	Nylon
Net Weight	6.770/g
Number of Rows	3
Packaging Type	Bag
Panel Mount	No
Pitch - Mating Interface	6.70mm
Polarized to Mating Part	Yes
Stackable	No
Temperature Range - Operating	-40° to +105°C

Electrical

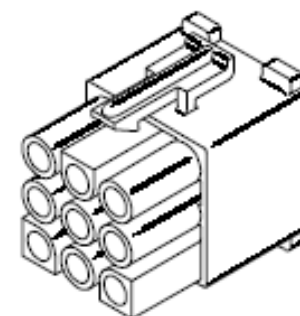
Current - Maximum per Contact	9.0A
-------------------------------	------

Material Info

Engineering Number	3191-9R1
--------------------	----------

Reference - Drawing Numbers

Packaging Specification	31910001-PK-000
Product Specification	PS-3191-001-001
Sales Drawing	31910900-SD-000



Series image - Reference only

EU ELV

Not Relevant

EU RoHS

Compliant

REACH SVHC

Not Contained Per -
D(2020)9139-DC (19
Jan 2021)

Halogen-Free

Status

Low-Halogen

For more information, please visit [Contact US](#)

China ROHS

ELV

RoHS Phthalates

China RoHS

Green Image

Not Relevant

Not Contained

Search Parts in this Series

[3191](#) Series

Mates With

[19092096](#) , [19092097](#) , [19092098](#) ,
[19092099](#) , [5219](#)

Use With

Standard .093" Female Crimp Terminals
[1189](#) , [1381](#) , [1433](#) , [4550](#) . Standard .093"
Male Crimp Terminals [1190](#) , [1380](#) , [1434](#) ,
[1973](#) , [42138](#)

PLEASE CHECK WWW.MOLEX.COM FOR LATEST PART INFORMATION