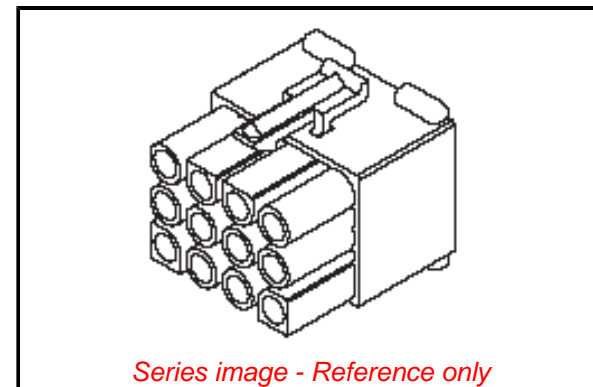


PLEASE CHECK WWW.MOLEX.COM FOR LATEST PART INFORMATION

Part Number: [0019091159](#)
Status: **Active**
Overview: Standard .093" Pin and Socket Connectors
Description: 2.36mm Diameter Standard .093" Pin and Socket Receptacle Housing with Positive Latch, UL 94V-0, 15 Circuits

Documents:

3D Model	Product Specification PS-3191-001-001 (PDF)
3D Model (PDF)	Packaging Specification 31910002-PK-000 (PDF)
Drawing (PDF)	RoHS Certificate of Compliance (PDF)



Agency Certification

CSA	LR19980
UL	E29179

General

Product Family	Crimp Housings
Series	3191
Application	Power, Wire-to-Board, Wire-to-Wire
Comments	Polarized to Mating Part
Overview	Standard .093" Pin and Socket Connectors
Product Name	Standard .093"
UPC	800753594104

Physical

Circuits (maximum)	15
Circuits Detail	3x5
Color - Resin	Natural
Flammability	94V-0
Gender	Receptacle
Glow-Wire Capable	No
Keying to Mating Part	None
Lock to Mating Part	Yes
Material - Resin	Nylon
Net Weight	10.809/g
Number of Rows	3
Packaging Type	Bag
Panel Mount	No
Pitch - Mating Interface	6.70mm
Polarized to Mating Part	Yes
Stackable	No
Temperature Range - Operating	-40° to +105°C

Electrical

Current - Maximum per Contact	9.0A
-------------------------------	------

Material Info

Engineering Number	3191-15R1
--------------------	-----------

Reference - Drawing Numbers

Packaging Specification	31910002-PK-000
Product Specification	PS-3191-001-001
Sales Drawing	31911500-SD-000

EU ELV

Not Relevant

EU RoHS

Compliant

REACH SVHC

Not Contained Per -
D(2020)9139-DC (19
Jan 2021)

Halogen-Free

Status

Low-Halogen

For more information, please visit [Contact US](#)

China ROHS

ELV

RoHS Phthalates

China RoHS

Green Image

Not Relevant

Not Contained

Search Parts in this Series

[3191](#) Series

Mates With

[19092156](#) , [19092157](#) , [19092159](#) , [5219](#)

Use With

Standard .093" Female Crimp Terminals
[1189](#) , [1381](#) , [1433](#) , [4550](#) . Standard .093"
Male Crimp Terminals [1190](#) , [1380](#) , [1434](#) ,
[1973](#) , [42138](#)