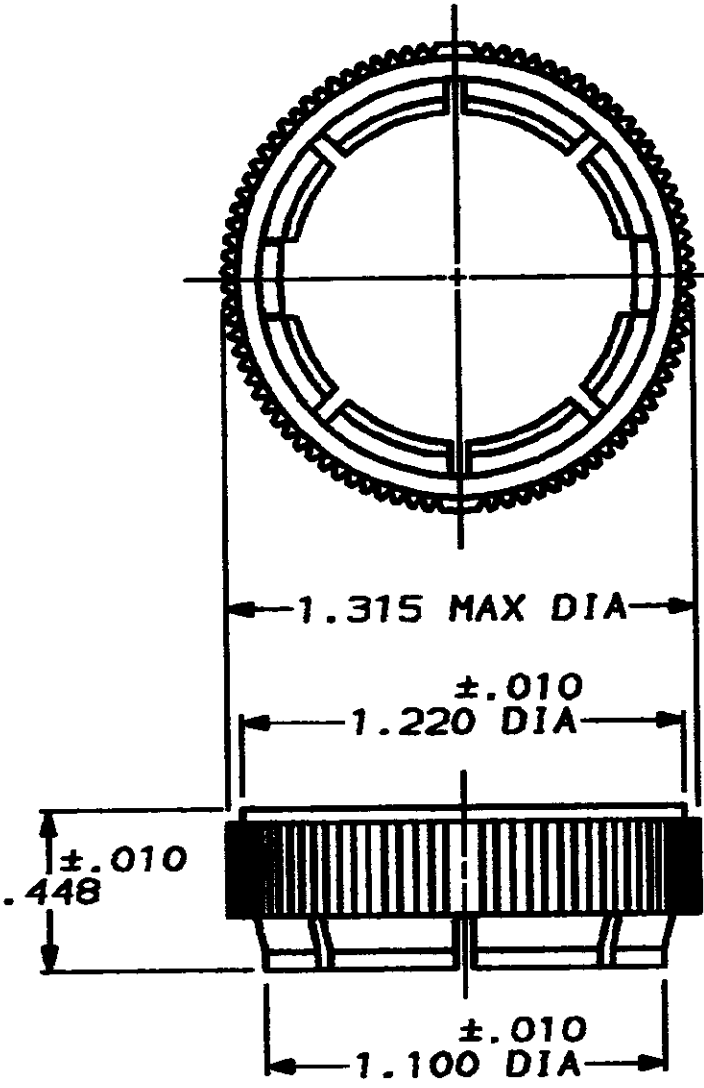


DRAWING MADE IN THIRD ANGLE PROJECTION

MOD	LOC	DIST	P	F	LTR	DESCRIPTION	DATE	APPROVED
23	BD	39			B	REDRAWN	7/31/90	KB

THIS DRAWING IS UNPUBLISHED. RELEASED FOR PUBLICATION BY AMP INCORPORATED. ALL INTERNATIONAL RIGHTS RESERVED. © COPYRIGHT 19



205958-1
PART NUMBER

DO NOT SCALE PRINT.
DIMENSIONS IN INCHES
TOLERANCES ON:
IN FLC DEC * -
3 FLC DEC * -
ANGLES ± -
MATERIAL
THERMOPLASTIC
BLACK
FINISH
-

DR 7/31/90
S. RIBBLE 80
CHK - R. Stone 4-26-91
APPD - K. Quirk 4-30-91
APPD - J. Johnson 5/1/91
PRODUCT SPEC
APPLICATION SPEC
WEIGHT -

AMP AMP Incorporated
Harrisburg, PA 17105-3608
NAME
COUPLING RING, SHELL
SIZE 17, CPC
SIZE CASE CODE DRAWING NO
A 00779 205958
SCALE 1:1 SHEET 1 of 1