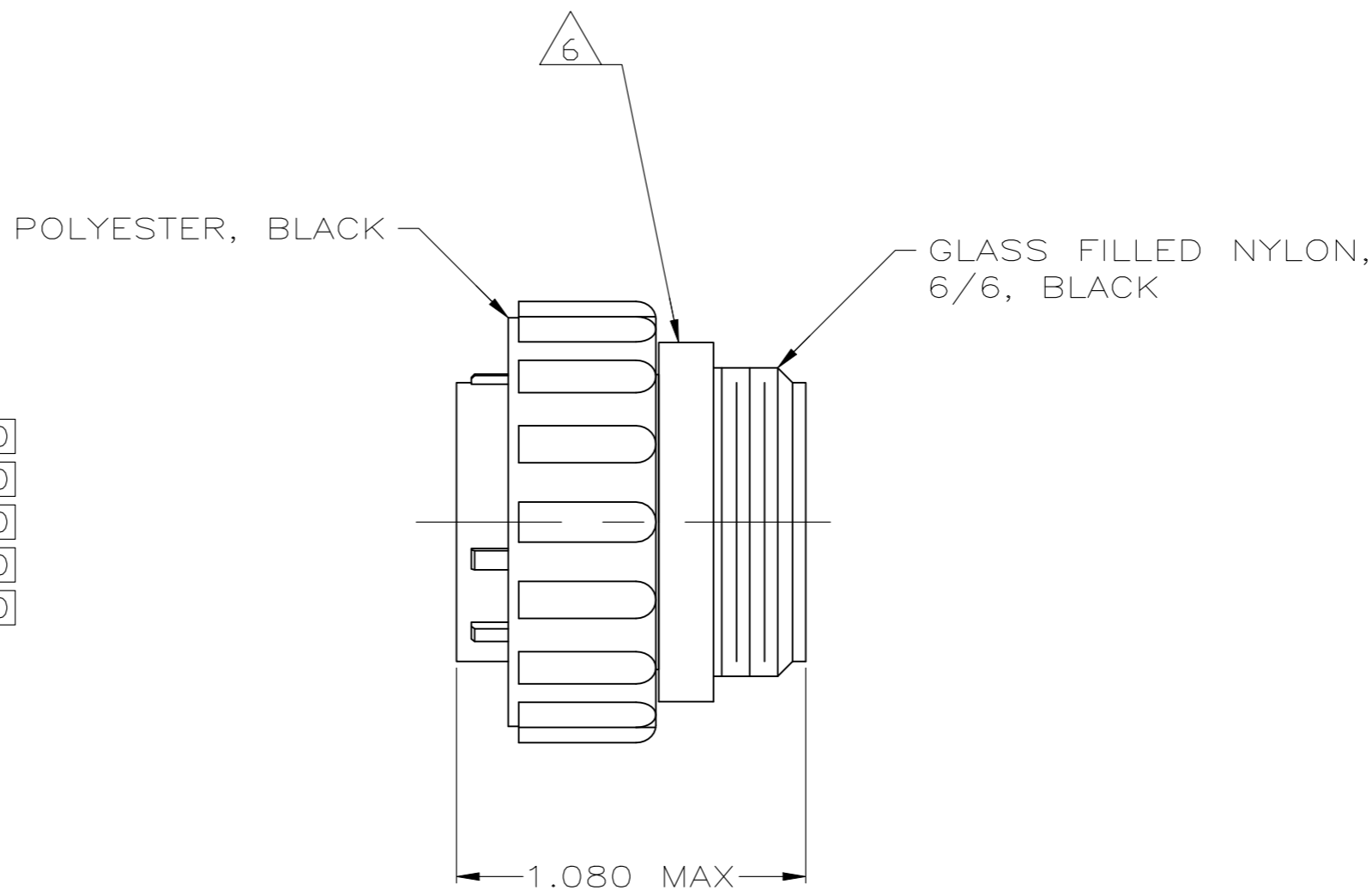
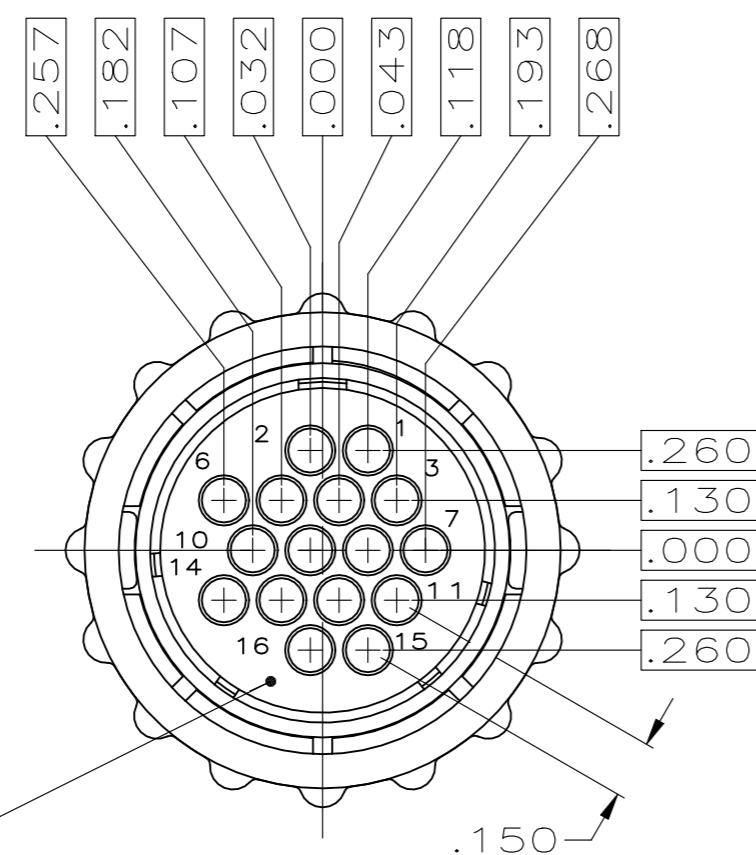
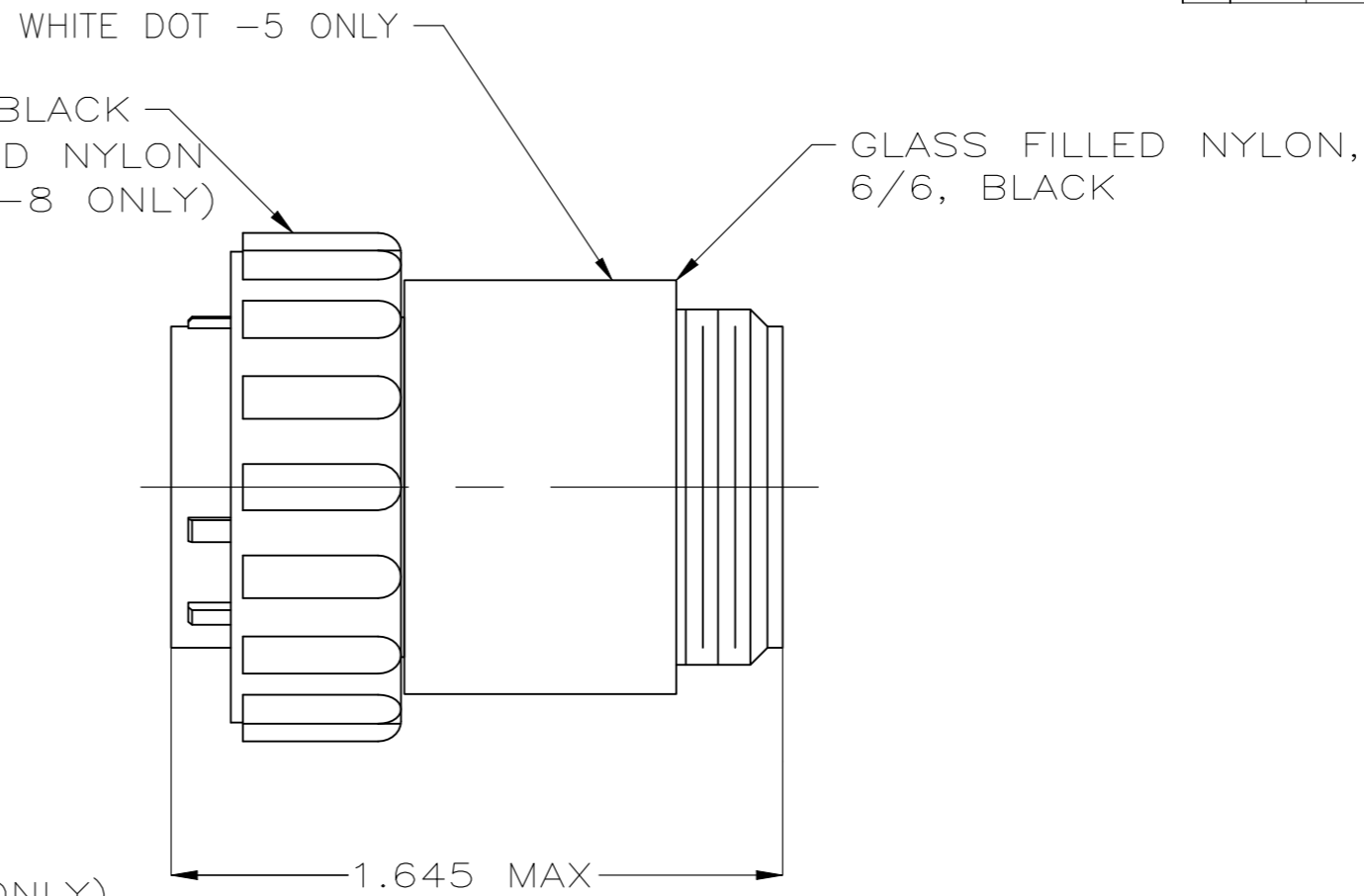
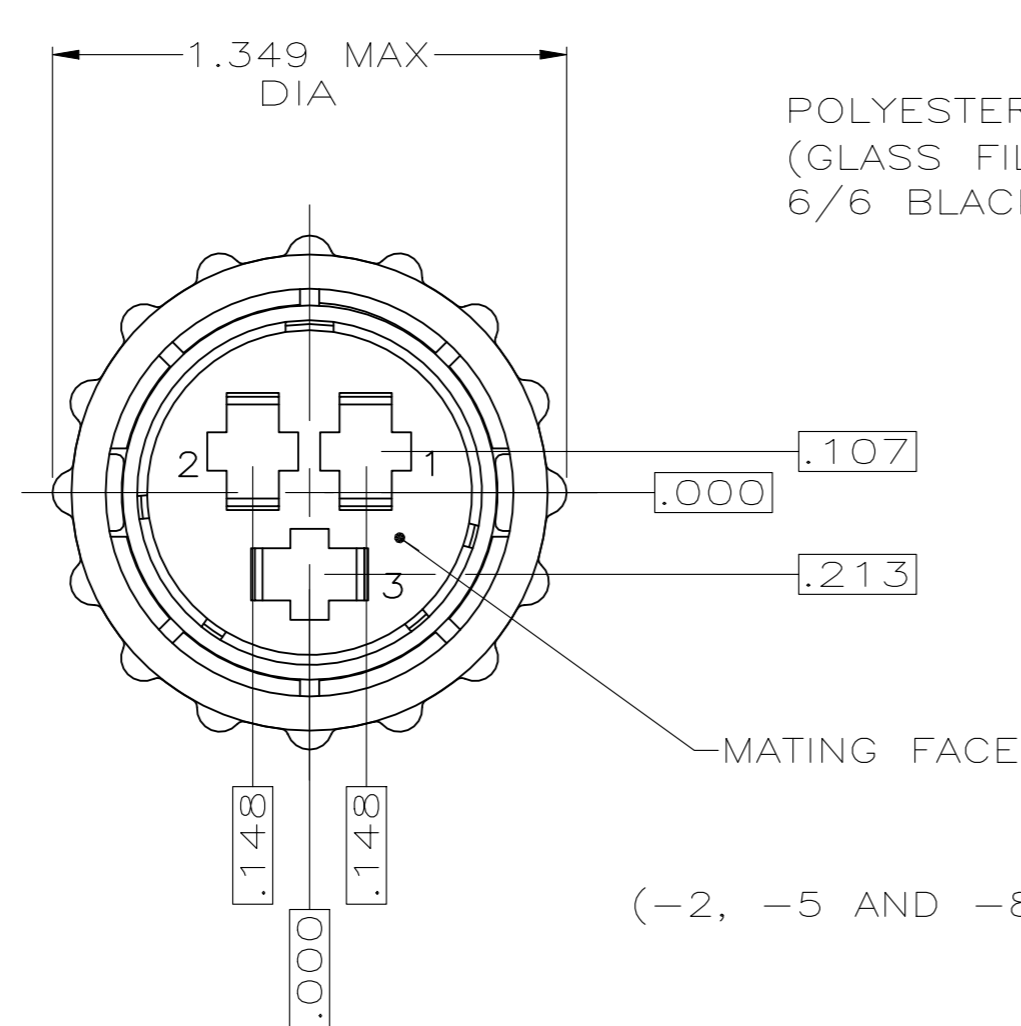


REVISIONS					
P	LTR	DESCRIPTION	DATE	DWN	APVD
M		REVISED PER ECO-21-006945	27OCT2021	RK	MZ



(-1, -3 AND -4 ONLY)

6 TE LOGO AND 206037-1 LOCATED ANYWHERE ON THIS SURFACE

5	4	3	206037-8
OBSOLETE		3	206037-5
		2	206037-4
		2	206037-3
		3	206037-2
		2	206037-1

NOTES:

- 1. CONTACT CAVITIES IDENTIFIED BY CHARACTERS ON FRONT AND REAR FACES OF CONNECTOR.
- 2. PART NUMBER 206037-1, -3 AND -4 WILL ACCEPT (16) MULTIMATE SOCKET CONTACTS.
- 3. PART NUMBER 206037-2, -5 AND -8 WILL ACCEPT (3) TYPE XII SOCKET CONTACTS.
- 4. OBSOLETE PART NUMBER.
- 5. UL RATED UV(f1) MATERIAL.

THIS DRAWING IS A CONTROLLED DOCUMENT.		DWN	S.RIDGLEY	BG	8/3/90	<b>TE</b> TE Connectivity	
DIMENSIONS: INCHES		CHK	R.STONE		04/26/91		
TOLERANCES UNLESS OTHERWISE SPECIFIED:		APVD		-		NAME	
0 PLC ± -		PRODUCT SPEC		-		PLUG ASSEMBLY, SHELL SIZE 17, STANDARD SEX, CPC	
1 PLC ± -		APPLICATION SPEC		-		SIZE	
2 PLC ± -		WEIGHT		-		CAGE CODE	
3 PLC ± .005		CUSTOMER DRAWING		A2		00779	
4 PLC ± -		SCALE		2:1		SHEET	
ANGLES ± -		REV		M		1 OF 1	
FINISH		-				DRAWING NO	
MATERIAL		SEE NOTES				RESTRICTED TO	
						-	