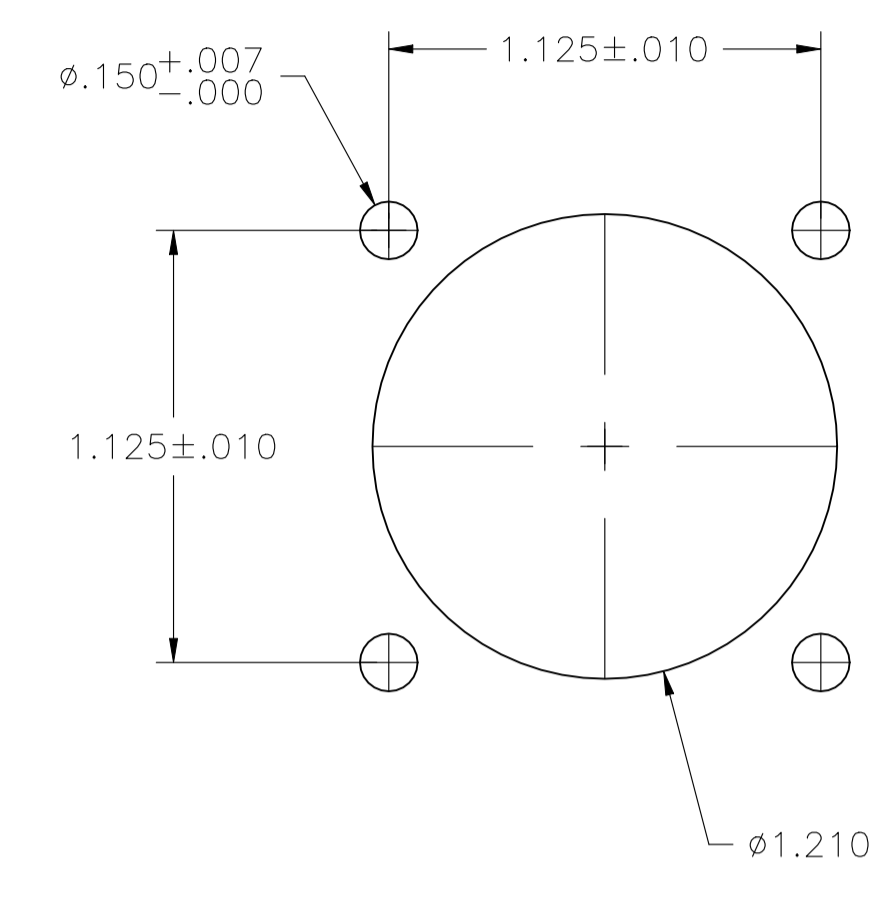
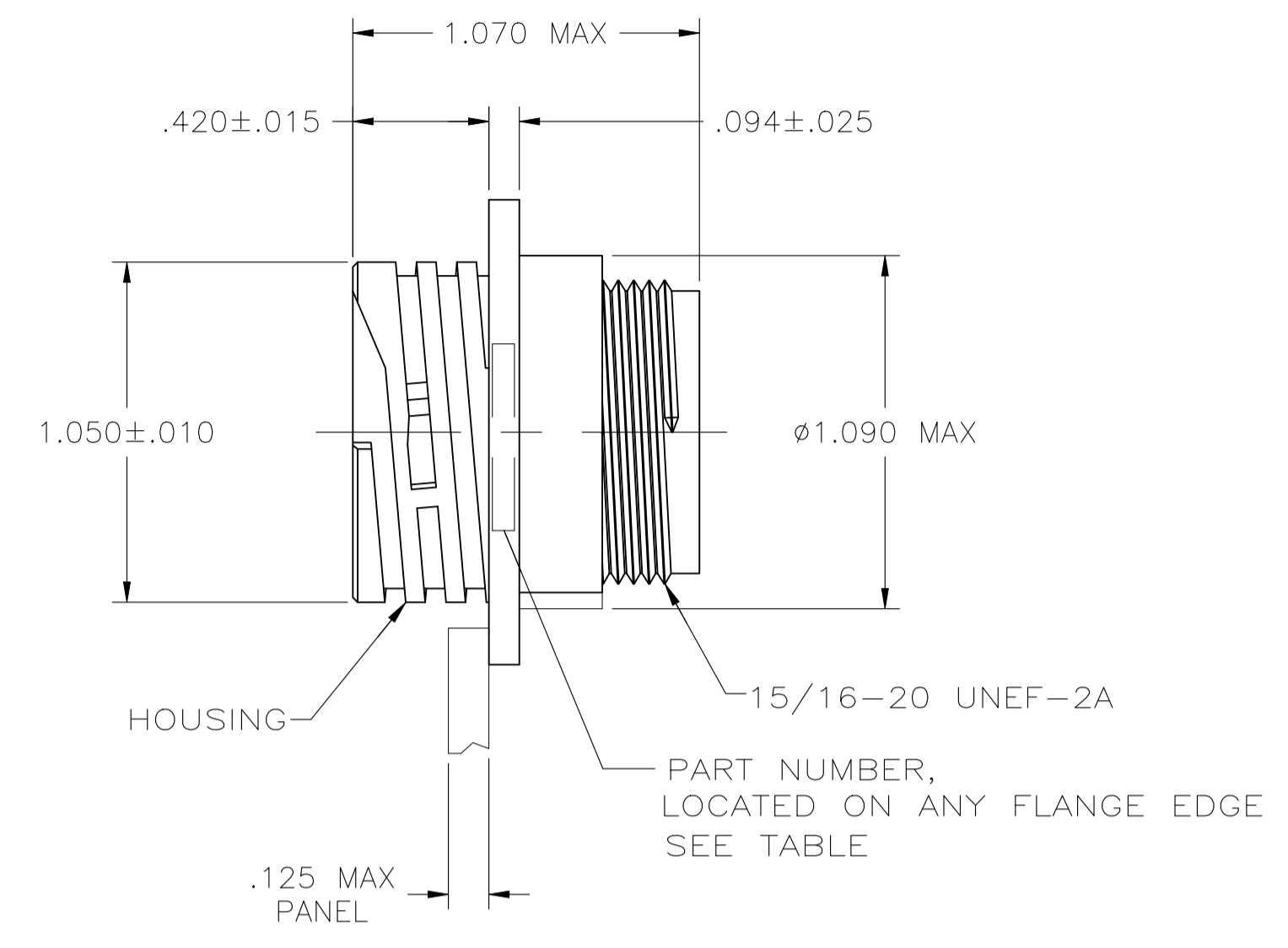
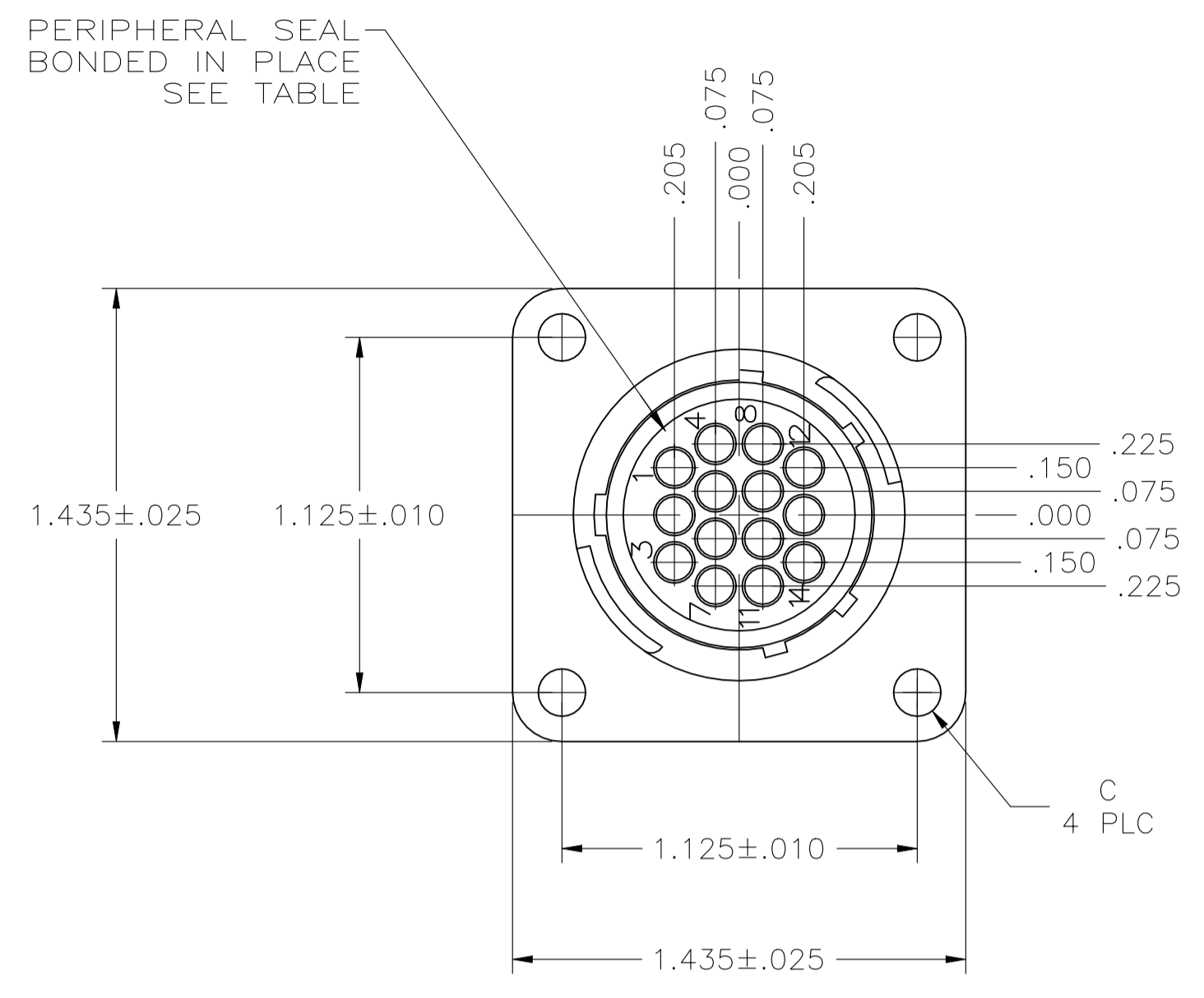
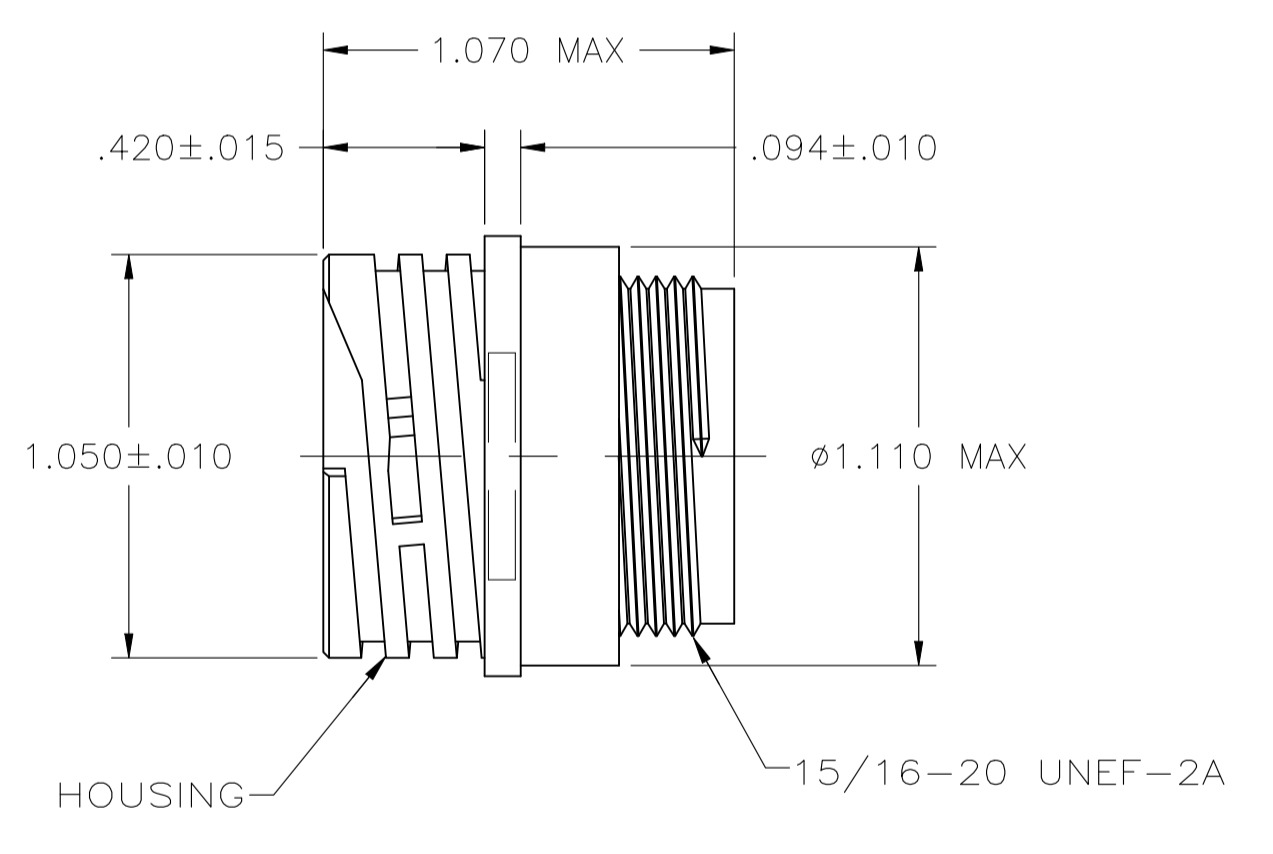
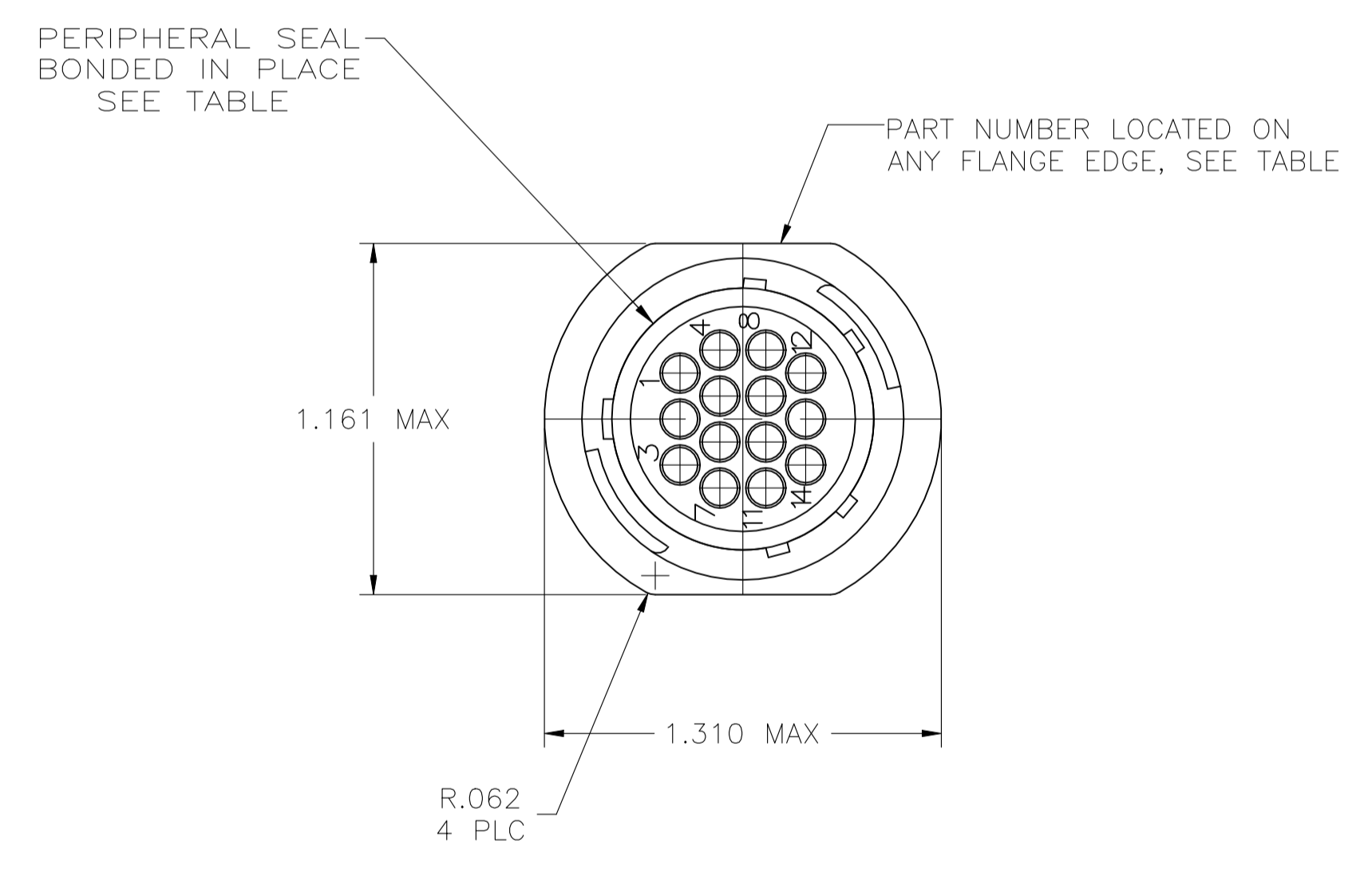


REVISIONS					
P	LTR	DESCRIPTION	DATE	DN	APVD
U		REVISED PER ECO-21-006948	27OCT2021	RK	MZ



DETAIL A

RECOMMENDED PANEL CUTOUT



DETAIL B

- 1 CAVITY IDENTIFICATION ON FRONT AND REAR FACE.
- 2 WILL ACCEPT FOURTEEN (14) MULTIMATE SOCKET CONTACTS.

OBSELETE	4-40 THREADED INSERTS	-	-	STANDARD	YES	A	206043-8
OBSELETE	Ø.150	-	-	SMALL PACK	NO	A	206043-6
-		206043-5	-	STANDARD	YES	B	206043-5
-	Ø.150	206043-4	206043-1	STANDARD	YES	A	206043-4
-		-	-	STANDARD	NO	B	206043-3
-	Ø.150	-	206043-1	STANDARD	NO	A	206043-1
	DIM C	LASER MARKED OR INK STAMPEDPART NUMBER	MOLDED PART NUMBER	PACKAGING	PERIPHERAL SEAL	SEE DETAIL	PART NO.

THIS DRAWING IS A CONTROLLED DOCUMENT.

DIMENSIONS: INCHES	TOLERANCES UNLESS OTHERWISE SPECIFIED:	DIN W. LENKER 09/10/92	APVD R. STONE 08/11/93	NAME
0 PLC ± -	1 PLC ± -	2 PLC ± 0.13 [.005]	3 PLC ± -	4 PLC ± -
ANGLES ± -				
MATERIAL HOUSING: NYLON BLACK	FINISH -	SIZE A1	CAGE CODE 00779	DRAWING NO. 206043
		WEIGHT -	RESTRICTED TO -	
		CUSTOMER DRAWING	SCALE 2:1	SHEET 1 OF 1 REV U

STE TE Connectivity

RECEPTACLE ASSEMBLY, REVERSE SEX, SERIES 1, 17-14, CPC

PRODUCT SPEC 108-10024