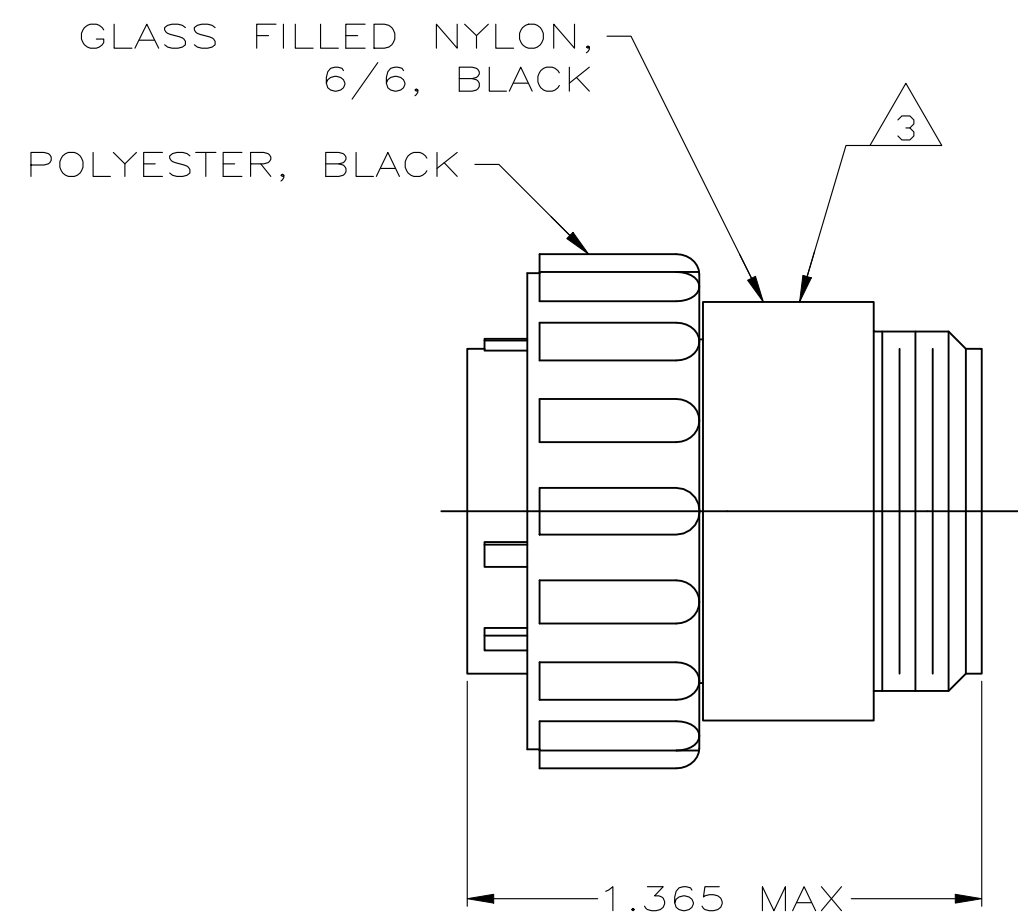
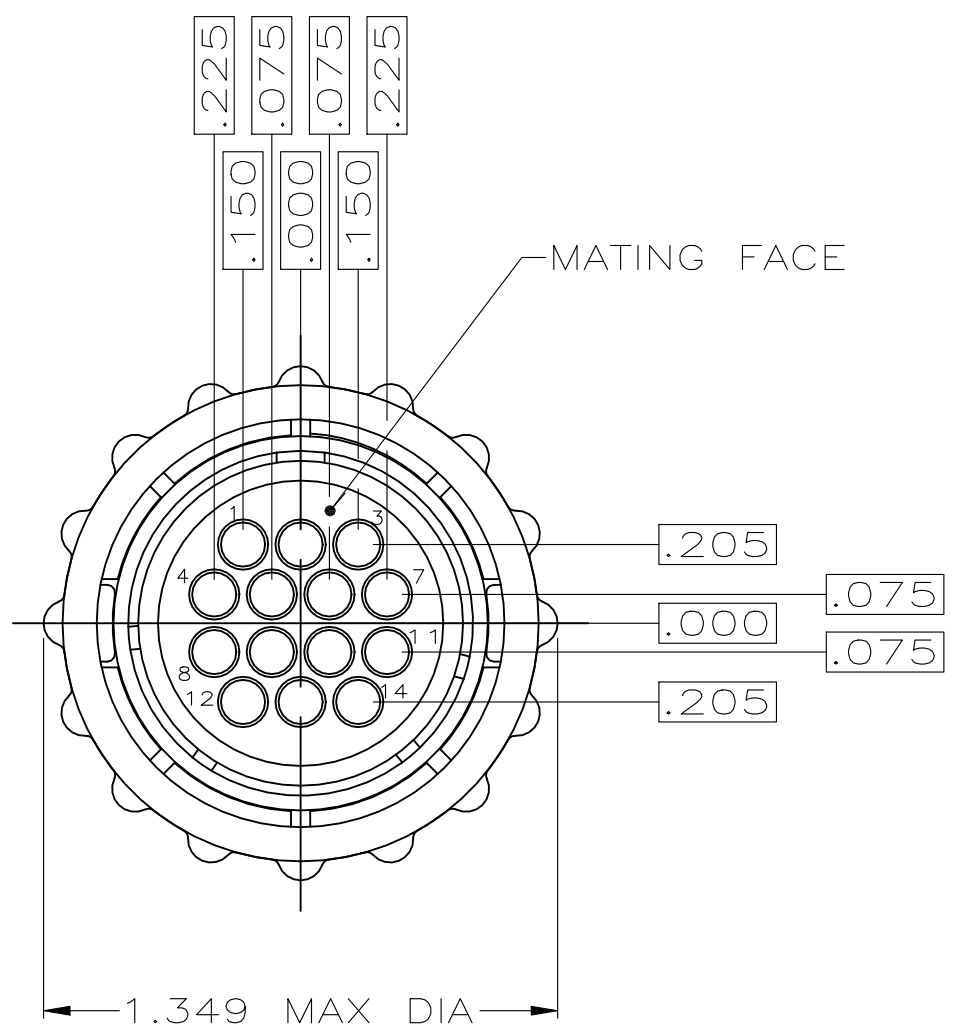


REVISIONS					
P	LTR	DESCRIPTION	DATE	DWN	APVD
	H	REVISED PER ECO-21-006945	27OCT2021	RK	MZ



206044-1
PART NUMBER

- CONTACT CAVITIES IDENTIFIED BY CHARACTERS ON FRONT AND REAR FACE OF CONNECTOR.
- WILL ACCEPT (14) MULTIMATE PIN CONTACTS.
- TE LOGO AND PART NUMBER LOCATED ANYWHERE ON THIS SURFACE

THIS DRAWING IS A CONTROLLED DOCUMENT.		DWN S.RIDGLEY 7/31/90 BG	TE Connectivity														
DIMENSIONS: INCHES		CHK R.STONE 04/26/91															
TOLERANCES UNLESS OTHERWISE SPECIFIED:		APVD K.BEAVER 04/30/91	NAME														
<table border="0"> <tr><td>0 PLC</td><td>± -</td></tr> <tr><td>1 PLC</td><td>± -</td></tr> <tr><td>2 PLC</td><td>± -</td></tr> <tr><td>3 PLC</td><td>± -</td></tr> <tr><td>4 PLC</td><td>± -</td></tr> <tr><td>ANGLES</td><td>± -</td></tr> </table>		0 PLC	± -	1 PLC	± -	2 PLC	± -	3 PLC	± -	4 PLC	± -	ANGLES	± -	PRODUCT SPEC	PLUG ASSEMBLY, SHELL SIZE 17, REVERSE SEX, CPC		
0 PLC	± -																
1 PLC	± -																
2 PLC	± -																
3 PLC	± -																
4 PLC	± -																
ANGLES	± -																
MATERIAL SEE CALLOUTS		FINISH -	APPLICATION SPEC	SIZE	CAGE CODE	DRAWING NO	RESTRICTED TO										
		WEIGHT -		A3	00779	C-206044	-										
CUSTOMER DRAWING			SCALE 2:1	SHEET 1 OF 1	REV H												