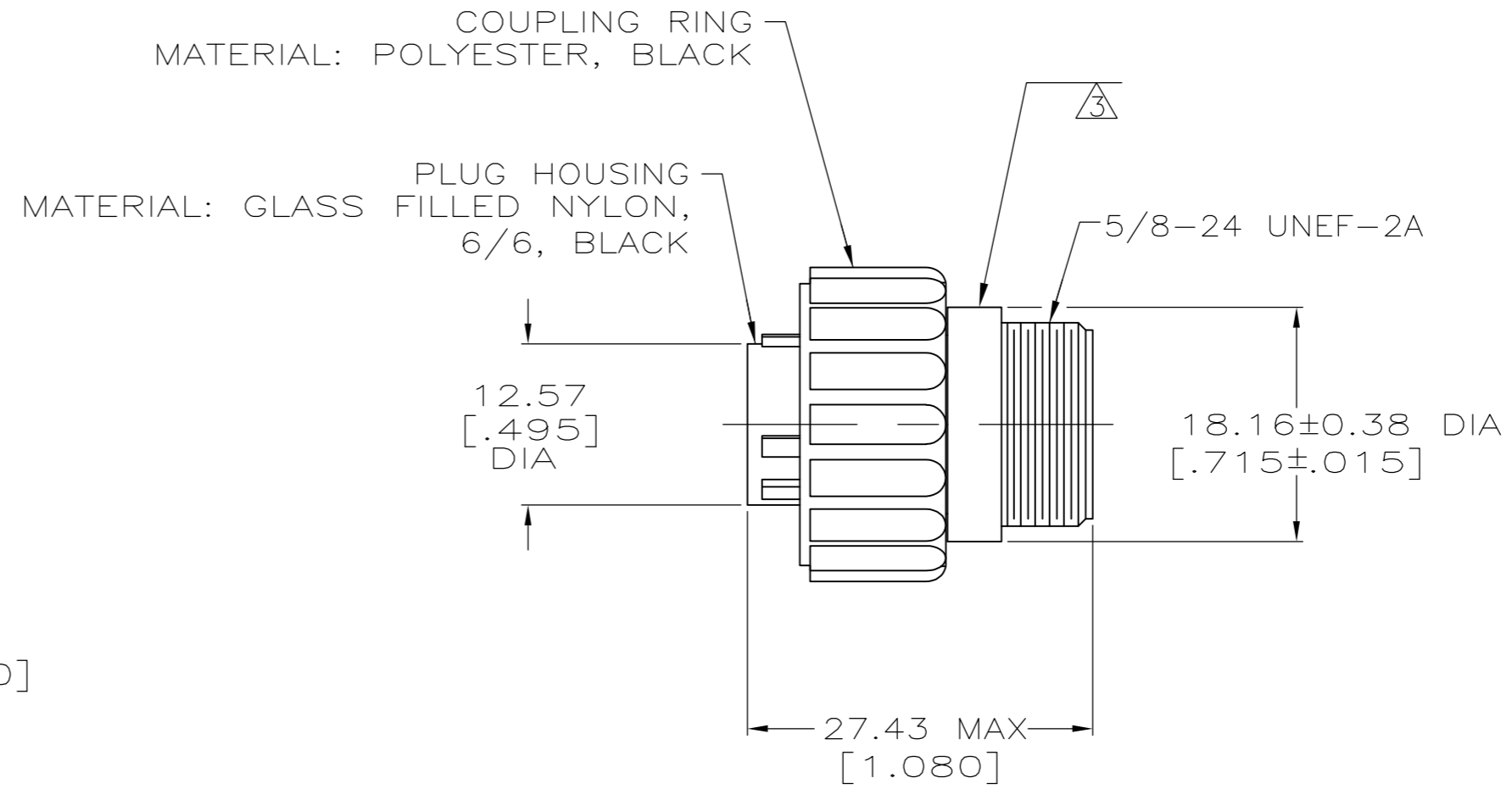
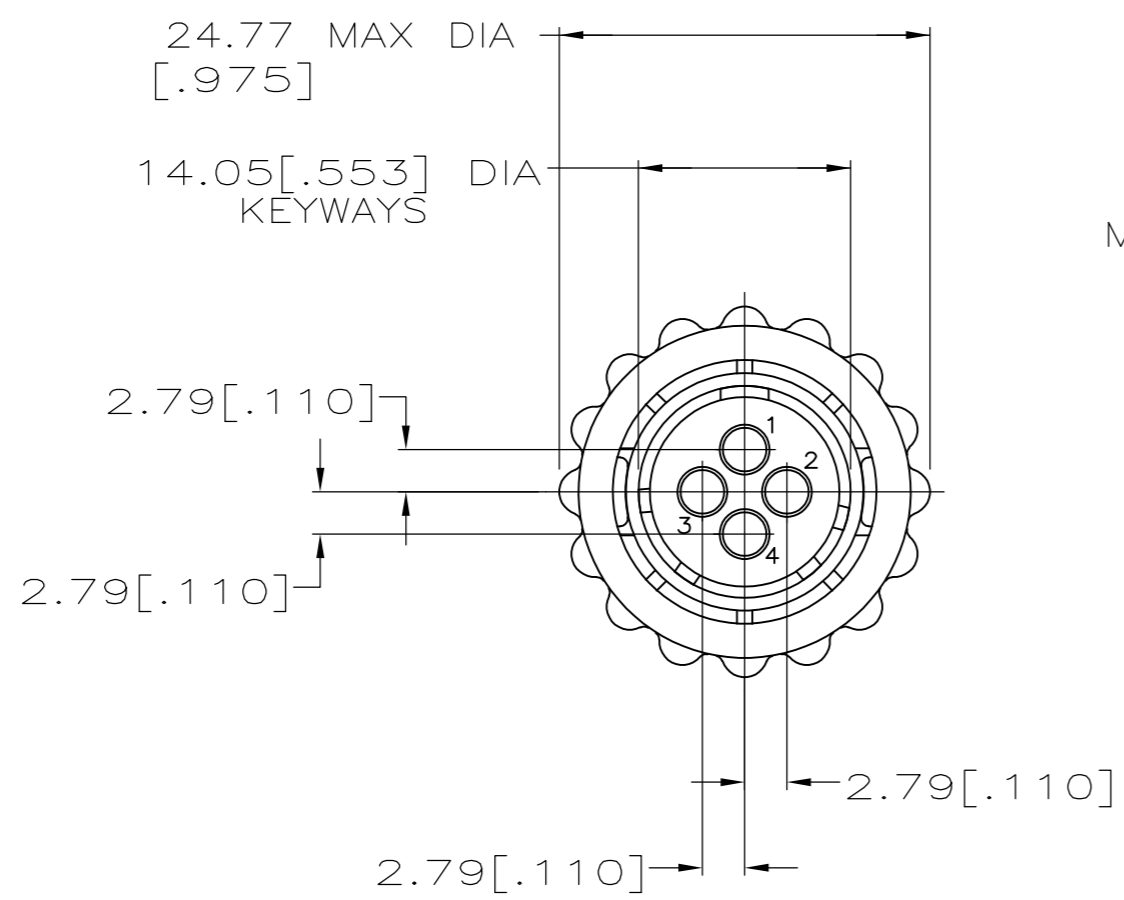


THIS DRAWING IS UNPUBLISHED. RELEASED FOR PUBLICATION
 © COPYRIGHT - By - ALL RIGHTS RESERVED.

LOC	DIST	REVISIONS			
P	LTR	DESCRIPTION	DATE	DWN	APVD
FT	4	H1	REVISED PER ECO-11-004587	11MAR11	RK HMR



NOTES:

1. CAVITY IDENTIFICATION ON FRONT AND REAR FACE.
2. WILL ACCEPT FOUR (4) MULTIMATE CONTACTS.

MOLDED PART NUMBER THIS SURFACE. PART NUMBER MAY ALSO APPEAR ON COUPLING RING MATING FACE.

SMALL PACK	206060-2
STANDARD	206060-1
PACKAGING	PART NO.

THIS DRAWING IS A CONTROLLED DOCUMENT.		DWN	D.GELTZ	07/26/93	TE Connectivity PLUG ASSEMBLY, STANDARD SEX, SERIES 1, 11-4, CPC
DIMENSIONS:		CHK	R.STONE	08/11/93	
mm		APVD	-	-	
TOLERANCES UNLESS OTHERWISE SPECIFIED:		PRODUCT SPEC	108-10024	APPLICATION SPEC	
0 PLC ± - 1 PLC ± - 2 PLC ± 0.13 [.005] 3 PLC ± - 4 PLC ± - ANGLES ± -		MATERIAL	SEE	FINISH	-
WEIGHT		A2 00779		C=206060	RESTRICTED TO
CUSTOMER DRAWING		SCALE	2:1	SHEET	1 OF 1
		REV	H1		