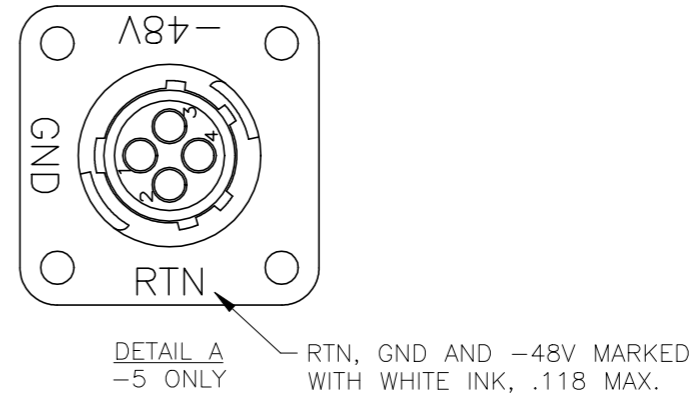
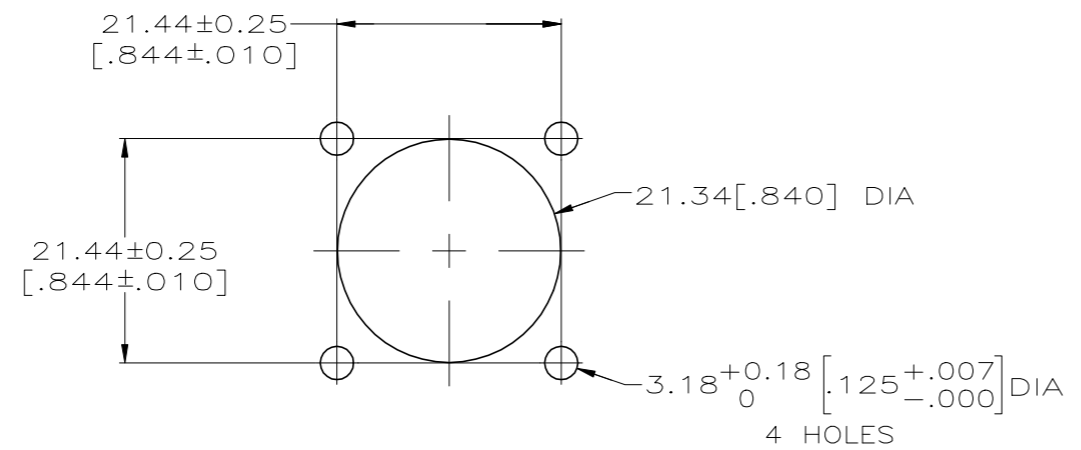
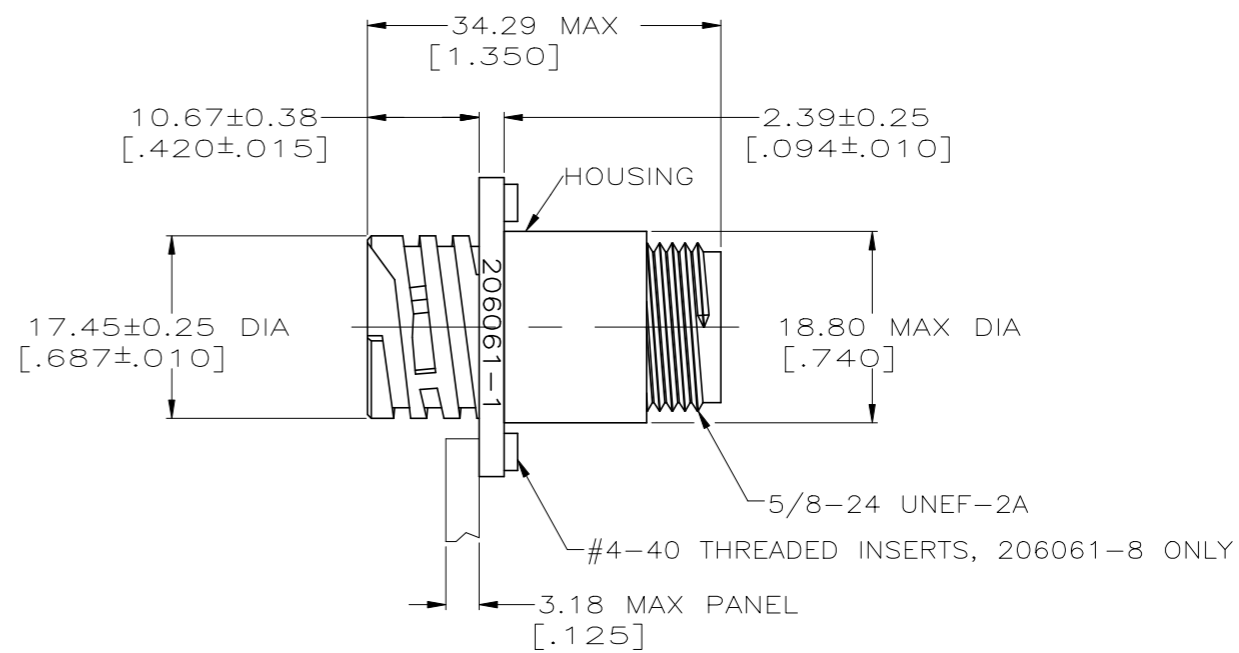
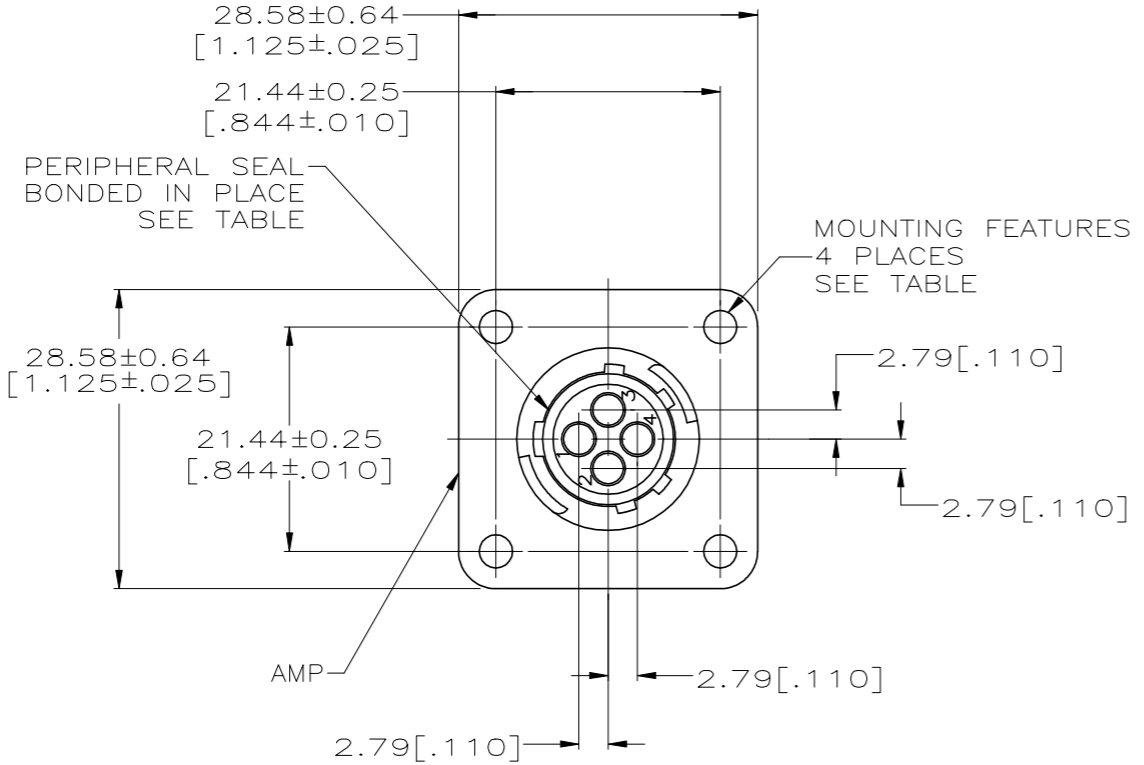


THIS DRAWING IS UNPUBLISHED. RELEASED FOR PUBLICATION. ALL RIGHTS RESERVED.

REVISIONS				
P	LTR	DESCRIPTION	DATE	APVD
F1		REVISED PER ECO-11-004587	11MAR11	RK HMR
G		REVISED PER ECO-17-000037	10MAR2017	RS MZ
H		REVISED PER ECO-19-014836	21OCT2019	RS MZ



RECOMMENDED PANEL CUTOUT

#4-40 THREADED INSERT	-	STANDARD	NO	206061-8
OBSOLETE	Ø 3.18 (.125) HOLES	DETAIL A	NO	206061-5
Ø 3.18 (.125) HOLES	-	SMALL PACK	NO	206061-3
	-	STANDARD	YES	206061-2
MOUNTING FEATURES	-	STANDARD	NO	206061-1
	MARKING	PACKAGING	PERIPHERAL SEAL	PART NO.

NOTES:

1. CAVITY IDENTIFICATION ON FRONT AND REAR FACE.
  2. WILL ACCEPT FOUR (4) MULTIMATE PIN CONTACTS.
- 3 MATERIALS:  
HOUSING: PA66, BLACK  
PERIPHERAL SEAL: NITRILE BUTADIENE RUBBER, BLACK  
THREADED INSERT: BRASS

THIS DRAWING IS A CONTROLLED DOCUMENT.

DIMENSIONS: INCHES	TOLERANCES UNLESS OTHERWISE SPECIFIED:	DWN: D.GELTZ 07/26/93	TE Connectivity RECEPTACLE HOUSING, STANDARD SEX, SHELL SIZE 11, CPC
	0 PLC ± - 1 PLC ± - 2 PLC ± 0.13 [.005] 3 PLC ± - 4 PLC ± - ANGLES ± -	CHK: R.STONE 08/11/93 APVD: - PRODUCT SPEC: 108-10024 APPLICATION SPEC: - WEIGHT: -	
MATERIAL: 3	FINISH: -	CUSTOMER DRAWING	SIZE: A2 CAGE CODE: 00779 DRAWING NO: C=206061 RESTRICTED TO: - SCALE: 2:1 SHEET: 1 of 1 REV: H