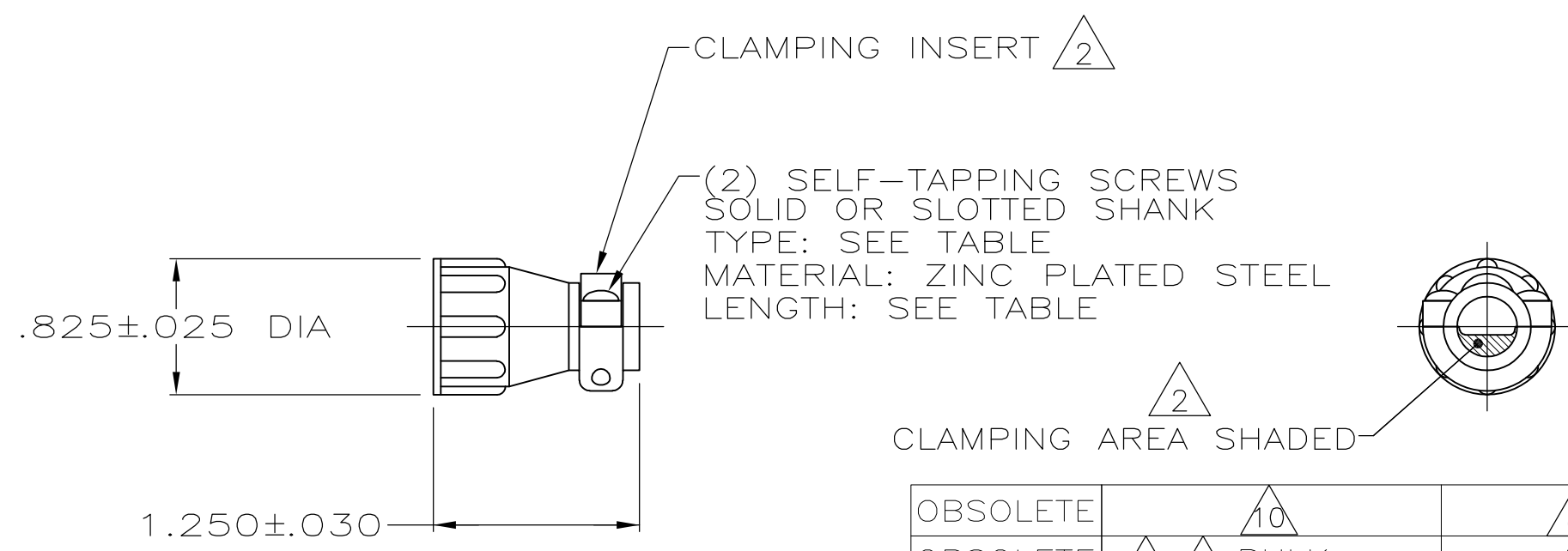


THIS DRAWING IS UNPUBLISHED. RELEASED FOR PUBLICATION  
 © COPYRIGHT - By - ALL RIGHTS RESERVED.

P	LTR	DESCRIPTION	DATE	DWN	APVD
	V1	REVISED PER ECO-15-002073	06MAY2015	NK	MZ
	W	REVISED PER ECR-16-017870	20APR2017	BDA	MZ



- 1 PARTS PACKAGED UNASSEMBLED.
- 2 CABLE CLAMPING AREA ADJUSTABLE FROM .004 TO .055 SQ IN BY REVERSING CLAMPING INSERTS.
- 3 .329 MAXIMUM CABLE OUTSIDE DIAMETER.
- 4 BULK PACKAGED KITS TO BE ORDERED IN MULTIPLES OF 800 ONLY.
- 5 OBSOLETE PART NUMBER.
- 6 STAINLESS STEEL (NON MAGNATIC).
- 7 CABLE CLAMP WITH NON-MAGNETIC STAINLESS STEEL SCREWS.
- 8 ZINC PLATED STEEL, NON-HEXAVALENT CHROMATE.

OBSOLETE	<del>10</del>		8	.50 <sup>+</sup> <sub>-.05</sub>	#5-20	2-206062-0
OBSOLETE	<del>7</del> <del>4</del>	BULK	6	.50 <sup>+</sup> <sub>-.05</sub>	#5-20	1-206062-9
	<del>4</del>	BULK	8	.50 <sup>+</sup> <sub>-.05</sub>	#5-20	1-206062-7
		INDIVIDUAL	8	.38 <sup>+</sup> <sub>-.05</sub>	#5-20	1-206062-6
	<del>4</del>	BULK	8	.38 <sup>+</sup> <sub>-.05</sub>	#5-20	1-206062-5
		INDIVIDUAL	8	.50 <sup>+</sup> <sub>-.05</sub>	#5-20	1-206062-4
		INDIVIDUAL	8	.62 <sup>+</sup> <sub>-.05</sub>	#5-20	1-206062-3
	<del>7</del>	INDIVIDUAL	6	.50 <sup>+</sup> <sub>-.05</sub>	#5-20	1-206062-2
SUPERSEDED BY 1-206062-3		INDIVIDUAL	8	.62 <sup>+</sup> <sub>-.05</sub>	#5-20	1-206062-1
	<del>9</del>	OBSOLETE	8	.38 <sup>+</sup> <sub>-.05</sub>	#5-20	1-206062-0
AMP BRAZIL USE ONLY		INDIVIDUAL		12mm <sup>+</sup> <sub>-.8</sub>	3mm-20	<del>5</del> 206062-9
AMP BRAZIL USE ONLY		INDIVIDUAL		10mm <sup>+</sup> <sub>-.8</sub>	3mm-20	<del>5</del> 206062-8
SUPERSEDED BY 1-206062-7	<del>4</del>	BULK	8	.50 <sup>+</sup> <sub>-.05</sub>	#5-20	206062-4
SUPERSEDED BY 1-206062-4		INDIVIDUAL	8	.50 <sup>+</sup> <sub>-.05</sub>	#5-20	206062-3
SUPERSEDED BY 1-206062-5	<del>4</del>	BULK	8	.38 <sup>+</sup> <sub>-.05</sub>	#5-20	206062-2
SUPERSEDED BY 1-206062-6		INDIVIDUAL	8	.38 <sup>+</sup> <sub>-.05</sub>	#5-20	206062-1

~~9~~ OBSOLETE PARTS: OBSOLETE CIS STREAMLINING PER D.RENAUD/D.SINISI  
~~10~~ SPECIAL PACKAGING CONSISTING OF 1 KIT PER INDIVIDUAL BAG, 20 INDIVIDUAL BAGS PER LARGER BAG, 5 LARGER BAGS PER SHIPPER BOX.

PACKAGING	SCREW FINISH	SCREW LENGTH	SCREW TYPE	PART NUMBER

THIS DRAWING IS A CONTROLLED DOCUMENT.		DWN	4/29/91	
		CHK	7-22-92	
		APVD	-	
		NAME	W.G.LENKER	
		PRODUCT SPEC	-	
		APPLICATION SPEC	-	
		WEIGHT	-	
MATERIAL		FINISH	-	
THERMOPLASTIC			-	

CABLE CLAMP KIT, STANDARD, SHELL SIZE 11, CPC			
SIZE	CAGE CODE	DRAWING NO	RESTRICTED TO
A3	00779	C-206062	-
CUSTOMER DRAWING		SCALE	SHEET
		NTS	1 OF 1
		REV	W