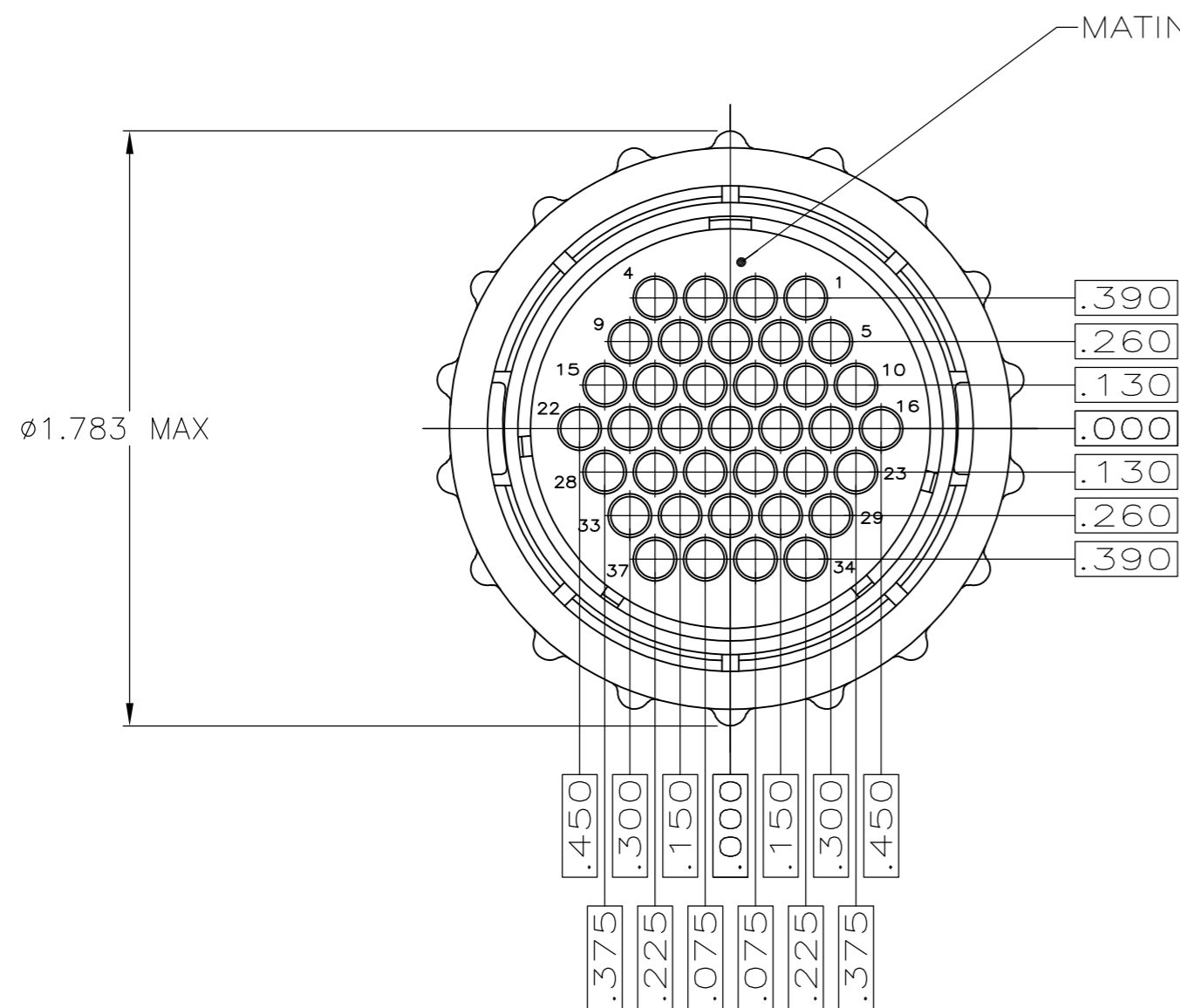
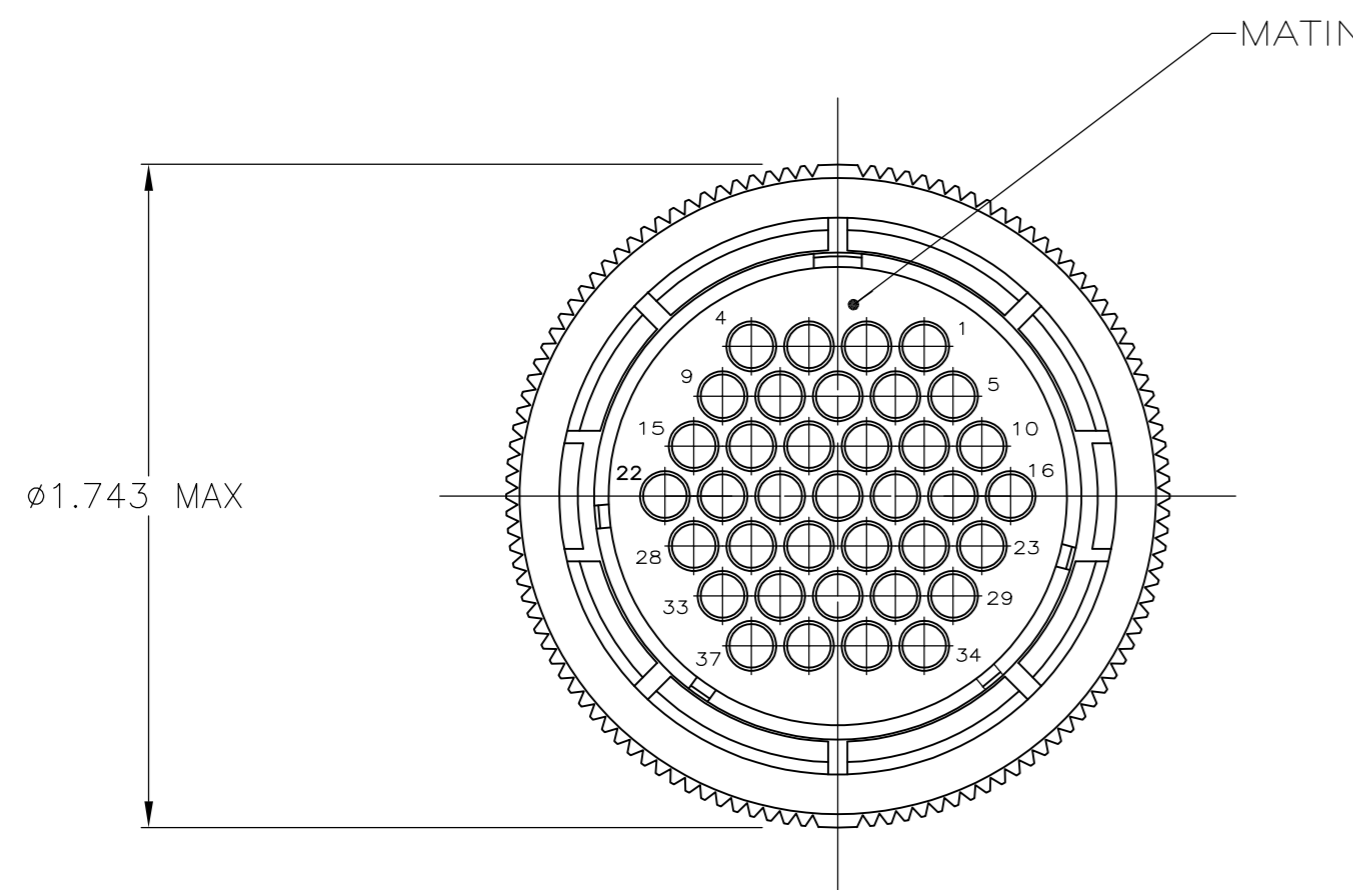
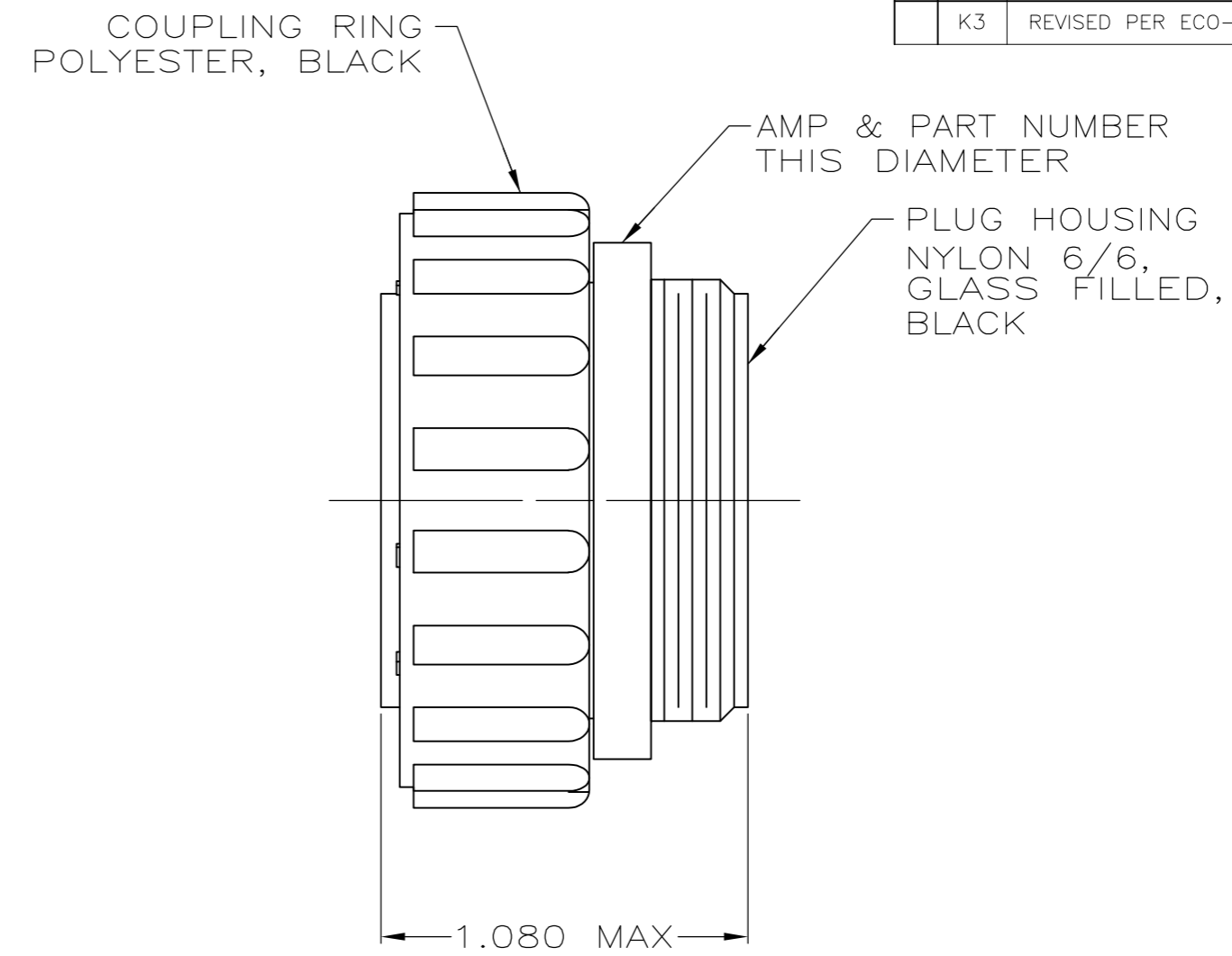


THIS DRAWING IS UNPUBLISHED. RELEASED FOR PUBLICATION
 © COPYRIGHT - By - ALL RIGHTS RESERVED.

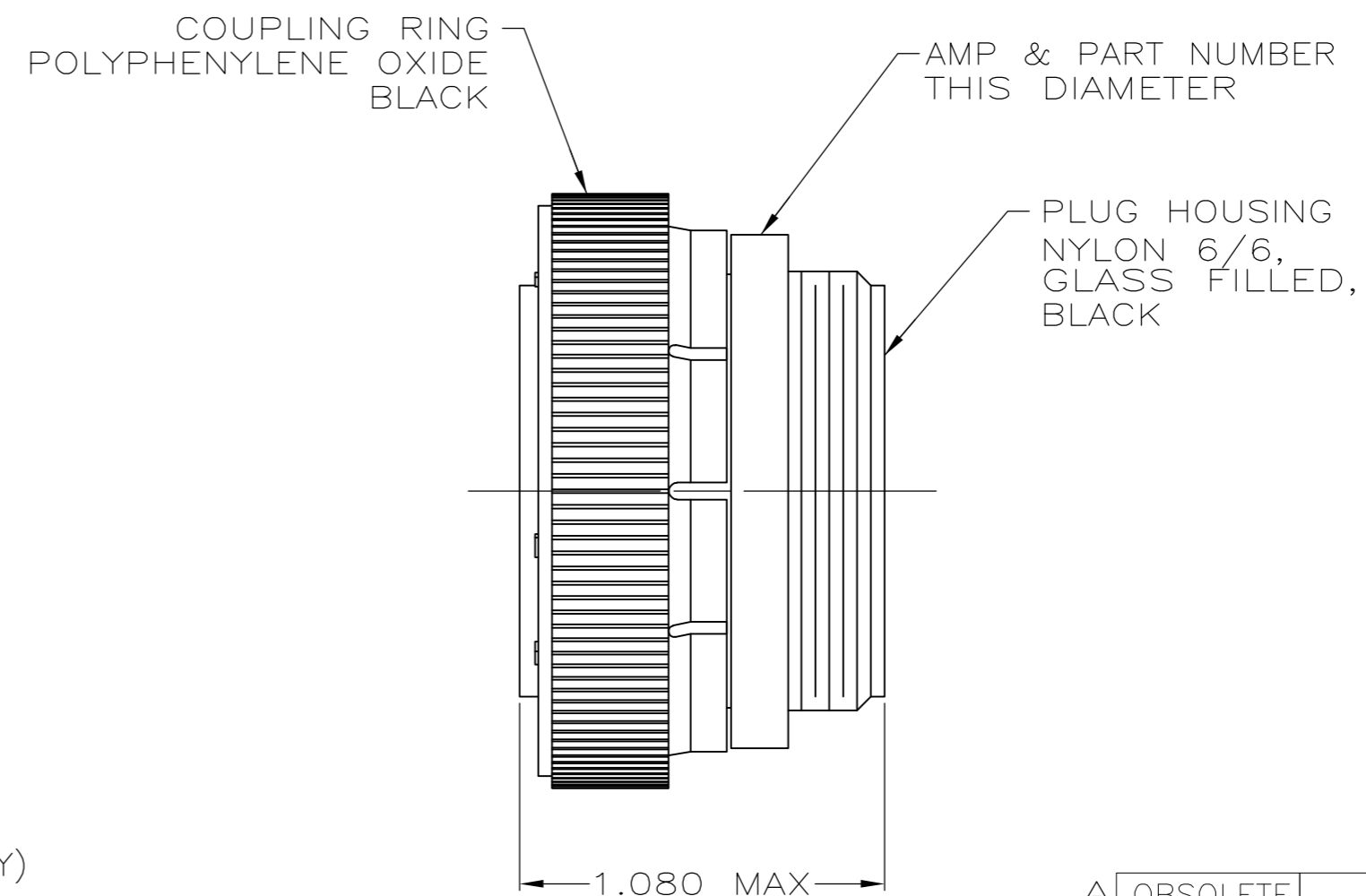
REVISIONS					
P	LTR	DESCRIPTION	DATE	DWN	APVD
K3		REVISED PER ECO-16-004800	12SEP2016	NK	MZ



(206150-1, -2 & -6 ONLY)



(206150-3 ONLY)



1 CONTACT CAVITIES IDENTIFIED BY CHARACTERS ON FRONT AND REAR FACES OF CONNECTOR.

2 THIS CONNECTOR WILL ACCEPT (37) MULTIMATE SOCKET CONTACTS.

3 WHITE DOT NEAR POSITION 1 ON WIRE ENTRY FACE.

OBSOLETE	STANDARD	-206150-6-
	STANDARD	206150-3
	SMALL PACK	206150-2
	STANDARD	206150-1
PACKAGING	PART NUMBER	

THIS DRAWING IS A CONTROLLED DOCUMENT.		DWN	S.RIDGLEY	BG	8/2/90		
DIMENSIONS: INCHES		CHK	R.STONE		4-26-91		
TOLERANCES UNLESS OTHERWISE SPECIFIED:		APVD		-		NAME	
0 PLC ± -		PRODUCT SPEC		-		PLUG ASSEMBLY, SHELL SIZE 23, STANDARD SEX, SERIES 1, CPC	
1 PLC ± -		APPLICATION SPEC		-		-	
2 PLC ± -		WEIGHT		0		SIZE CAGE CODE DRAWING NO RESTRICTED TO	
3 PLC ± -		MATERIAL		SEE CALLOUT		A2 00779 C=206150	
4 PLC ± -		FINISH		-		SCALE 2:1 SHEET 1 of 1 REV K3	
ANGLES ± -		CUSTOMER DRAWING					