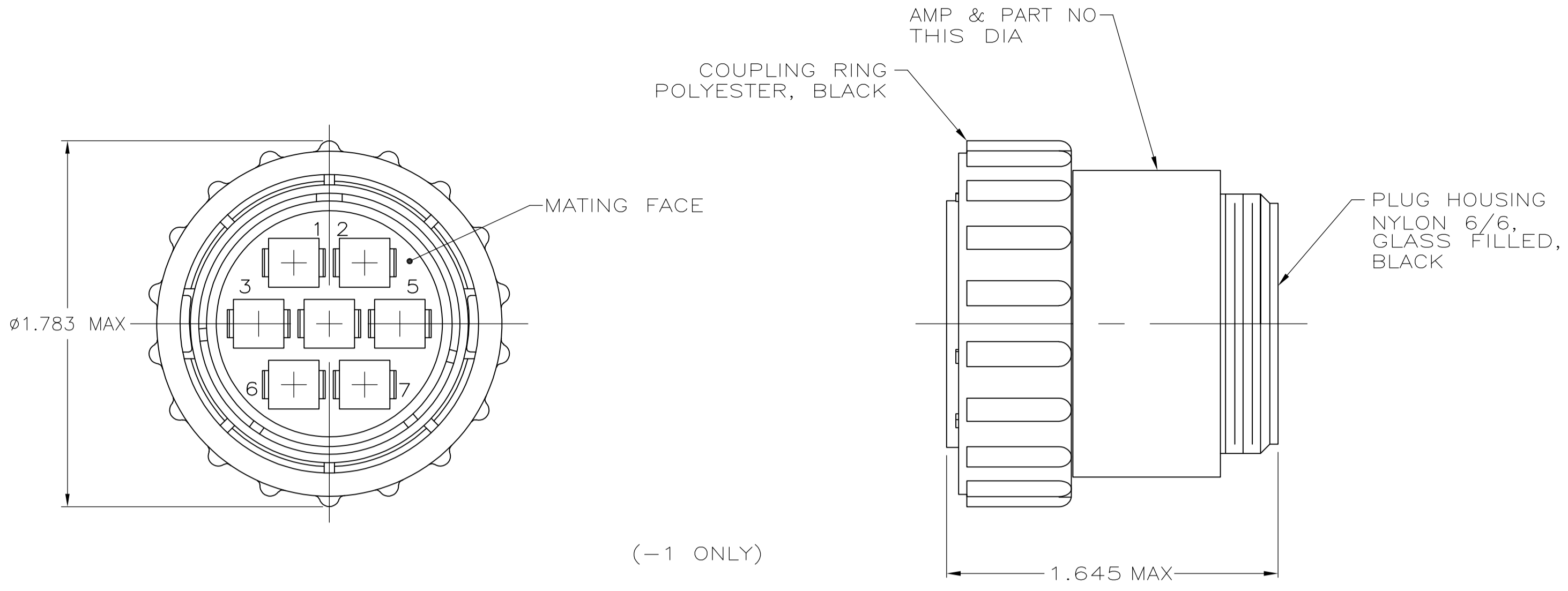
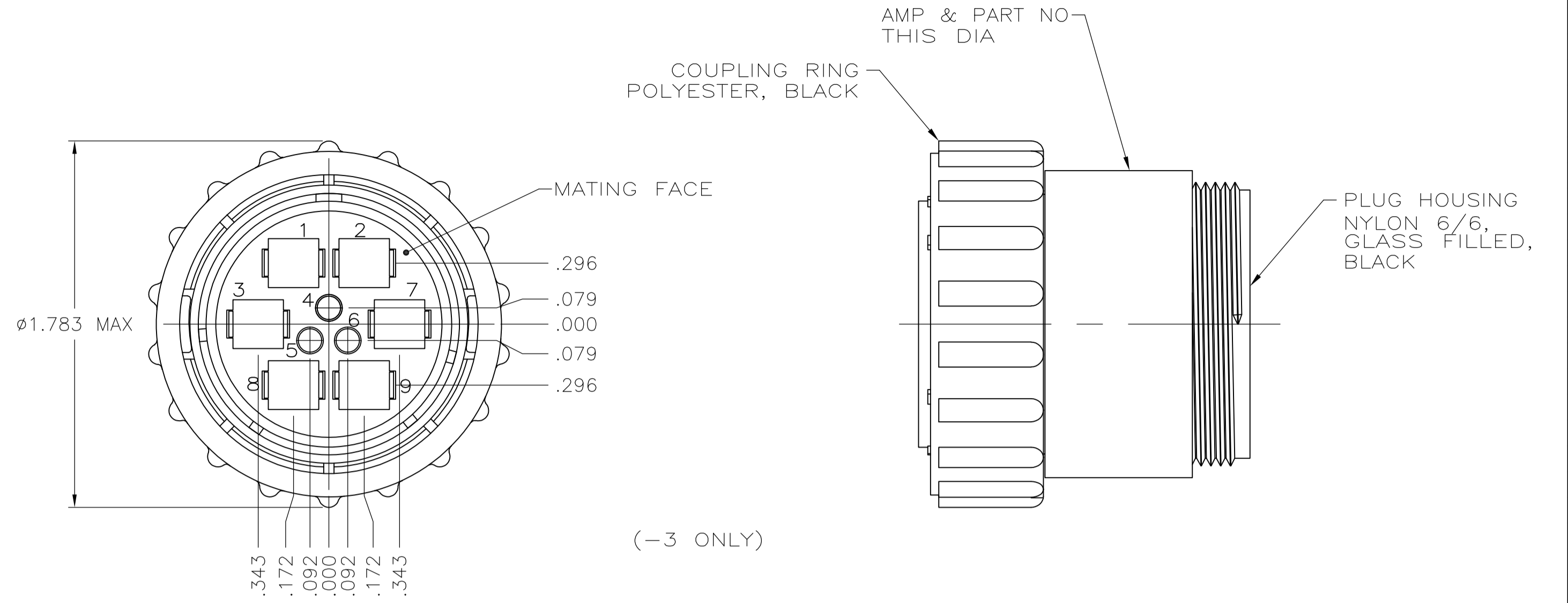


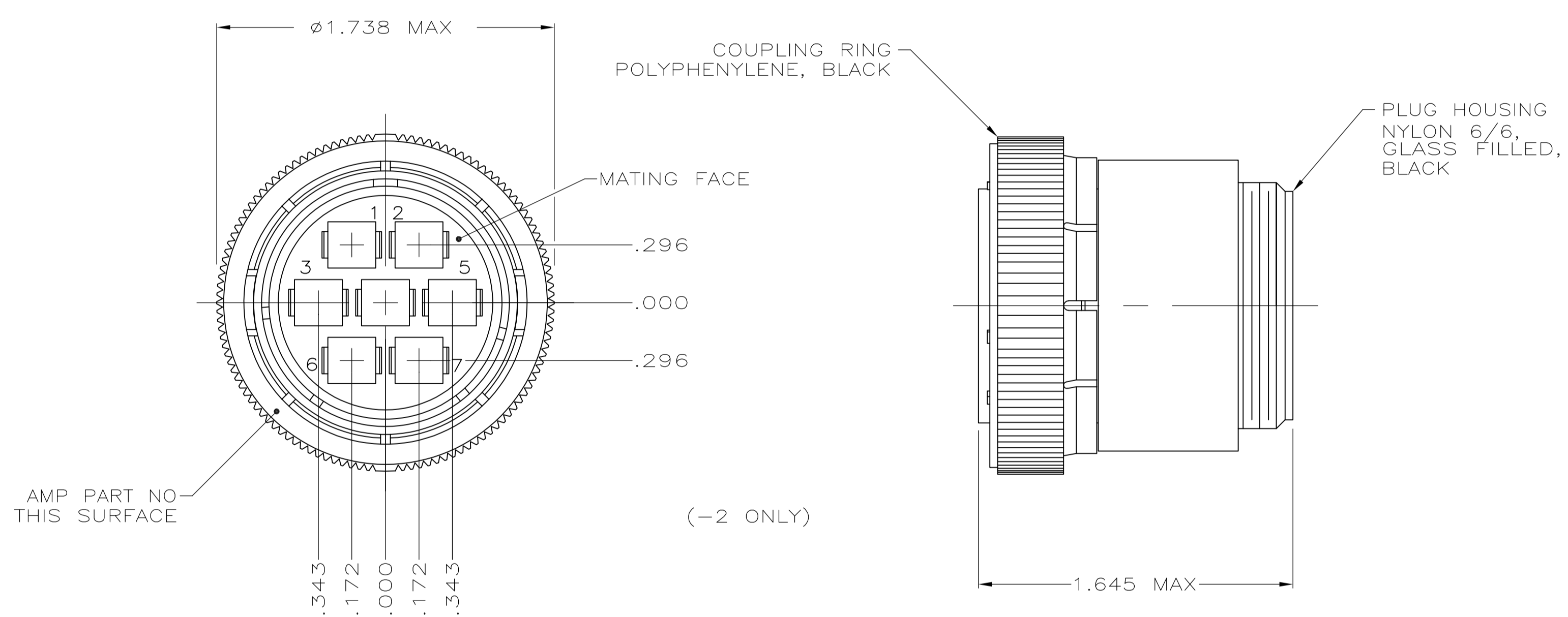
REVISIONS				
P	LTR	DESCRIPTION	DATE	APPV
L3		REVISED PER ECO-16-004800	10SEP2016	NK MZ



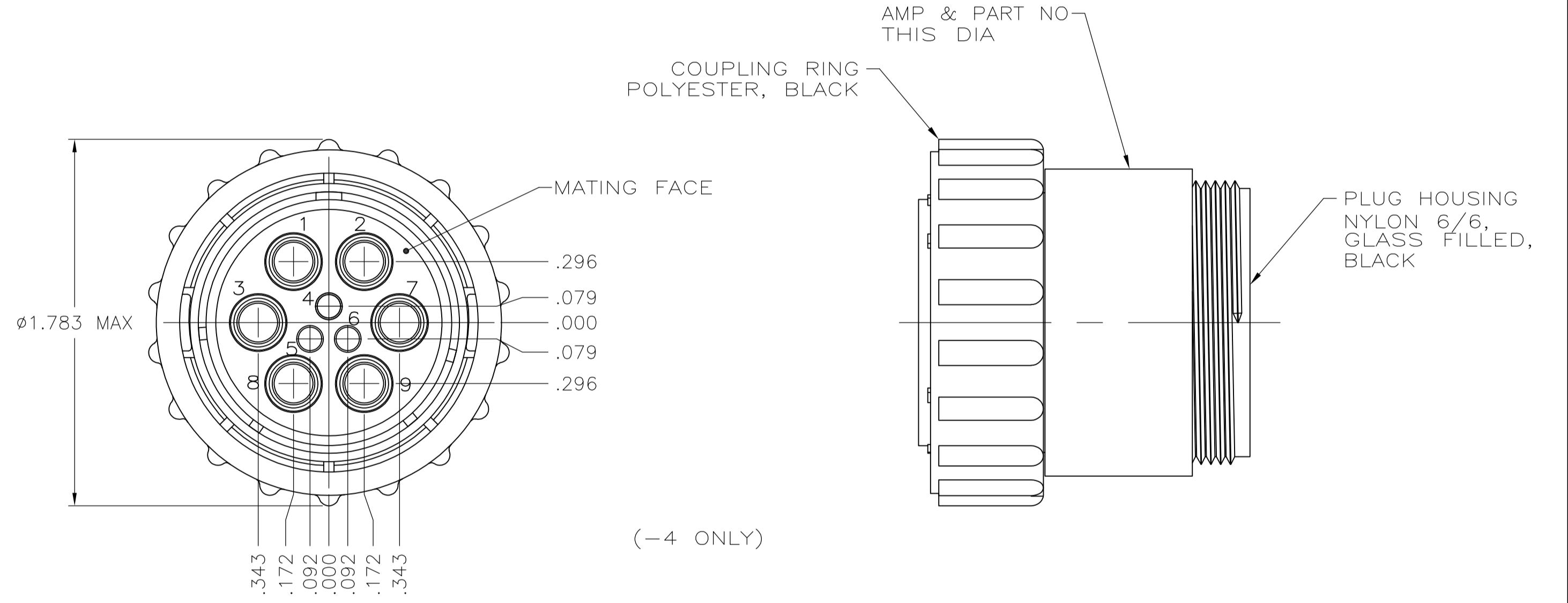
(-1 ONLY)



(-3 ONLY)



(-2 ONLY)



(-4 ONLY)

NOTES:

- 1. CONTACT CAVITIES IDENTIFIED BY CHARACTERS ON FRONT AND REAR FACES OF CONNECTOR.
- ① -1 AND -2 WILL ACCEPT (7) SEVEN TYPE XII PIN CONTACTS.
- ② -3 WILL ACCEPT (6) SIX TYPE XII PIN CONTACTS AND (3) THREE TYPE III+ PIN CONTACTS.
- ③ -4 WILL ACCEPT (6) SIX POWER BAND CONTACTS AND (3) THREE TYPE III+ PIN CONTACTS.
- ④ PRELIMINARY PART NUMBER.
- ⑤ OBSOLETE PARTS: OBSOLETE CIS STREAMLINING PER D.RENAUD/D.SINISI

④	OBSOLETE	-206226-4-
③	OBSOLETE	-206226-3-
②	OBSOLETE	-206226-2-
①		206226-1

PART NUMBER

THIS DRAWING IS A CONTROLLED DOCUMENT.		DIN	S.RIDGLEY	BG	8/2/90
DIMENSIONS: INCHES		CHK	R.STONE		04/26/91
TOLERANCES UNLESS OTHERWISE SPECIFIED:		APVD			
0 PLC ± -		NAME			
1 PLC ± -		PRODUCT SPEC			
2 PLC ± -		APPLICATION SPEC			
3 PLC ± .005		SIZE			
4 PLC ± -		CAGE CODE			
ANGLES ± -		DRAWING NO			
MATERIAL SEE CALLOUT		FINISH		WEIGHT	
				A1 00779 C=206226	
		CUSTOMER DRAWING		SCALE 2:1 SHEET 1 OF 1 REV L3	

STE TE Connectivity

PLUG ASSEMBLY, SHELL SIZE 23, REVERSE SEX, SERIES 3, CPC