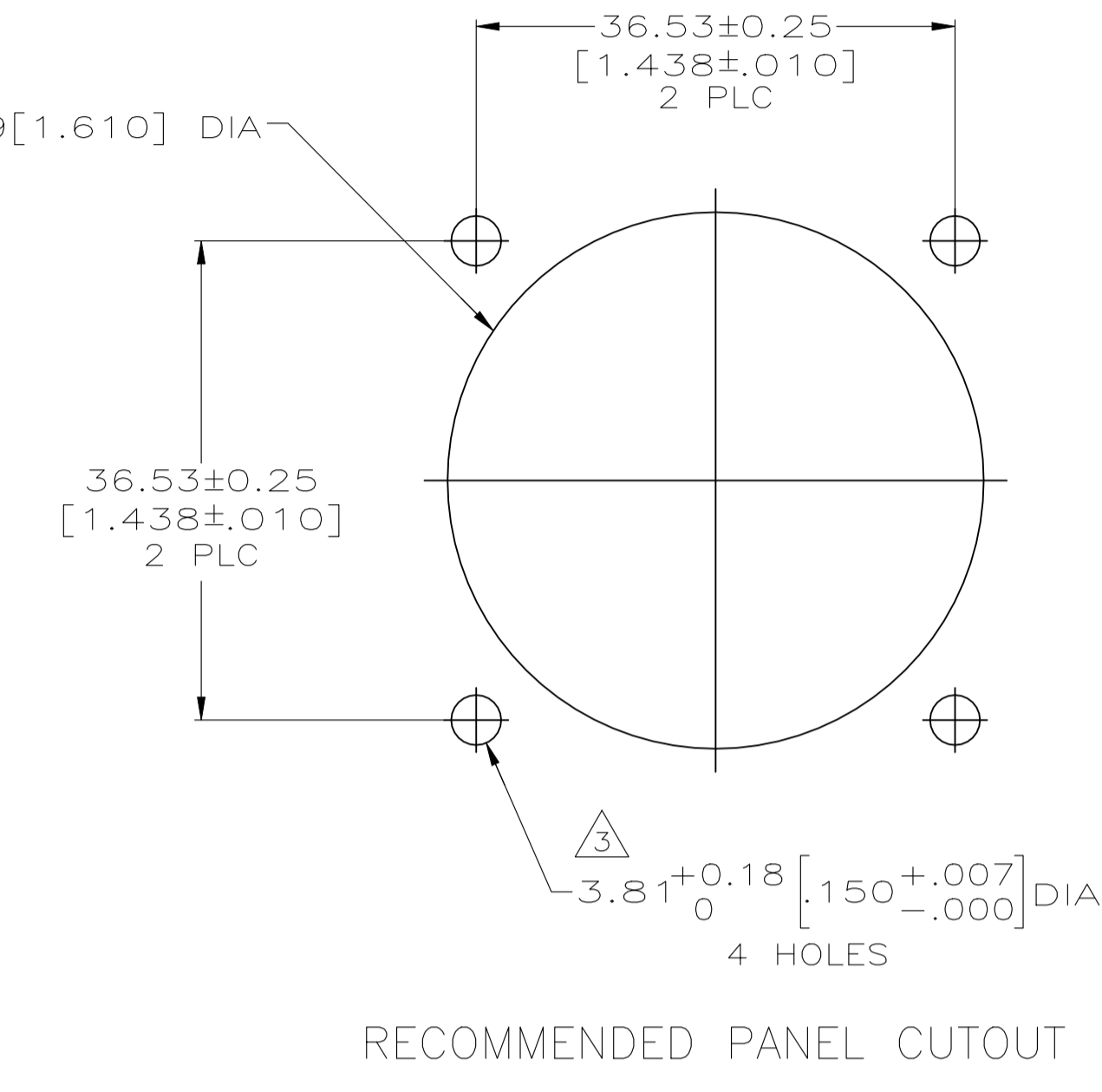
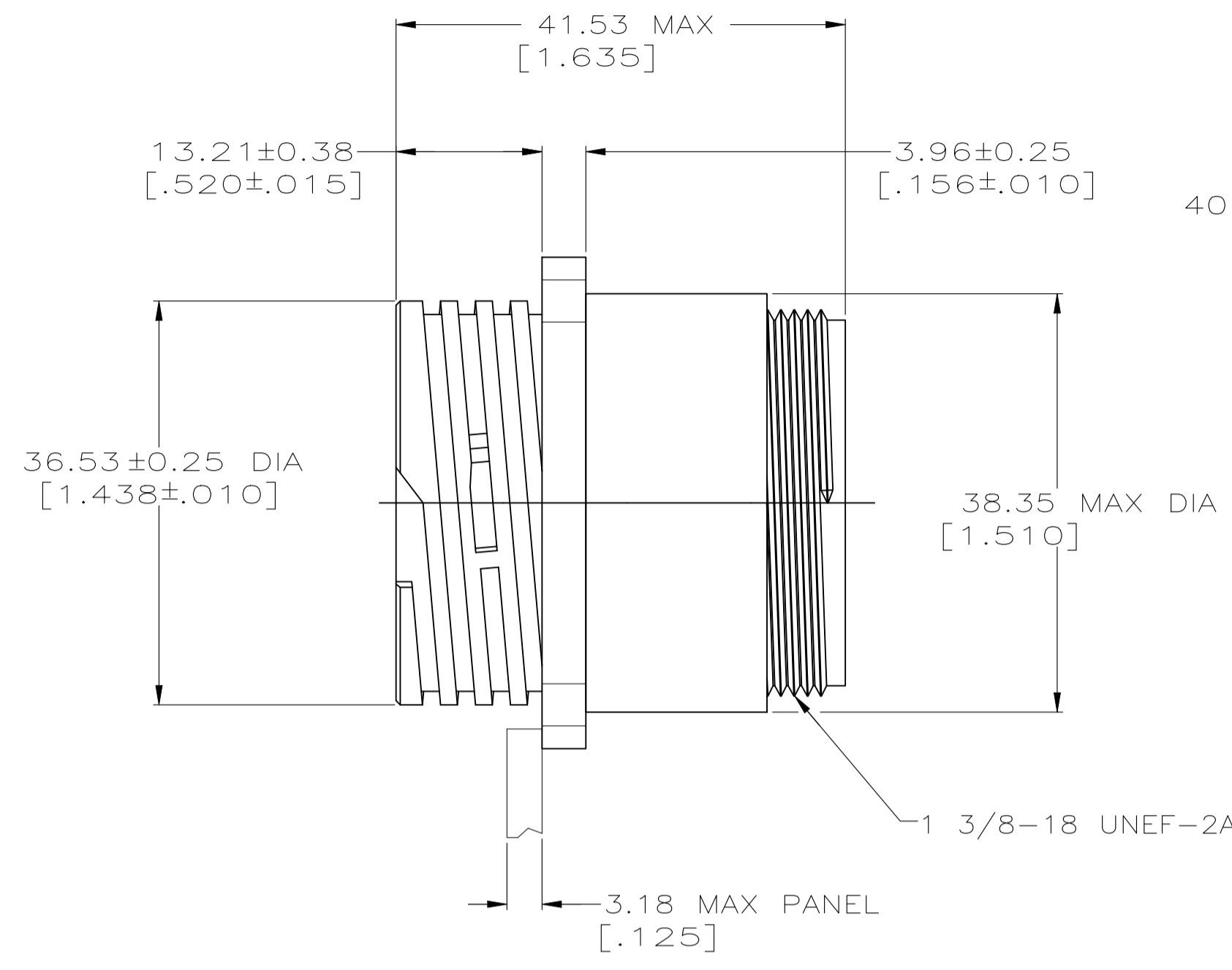
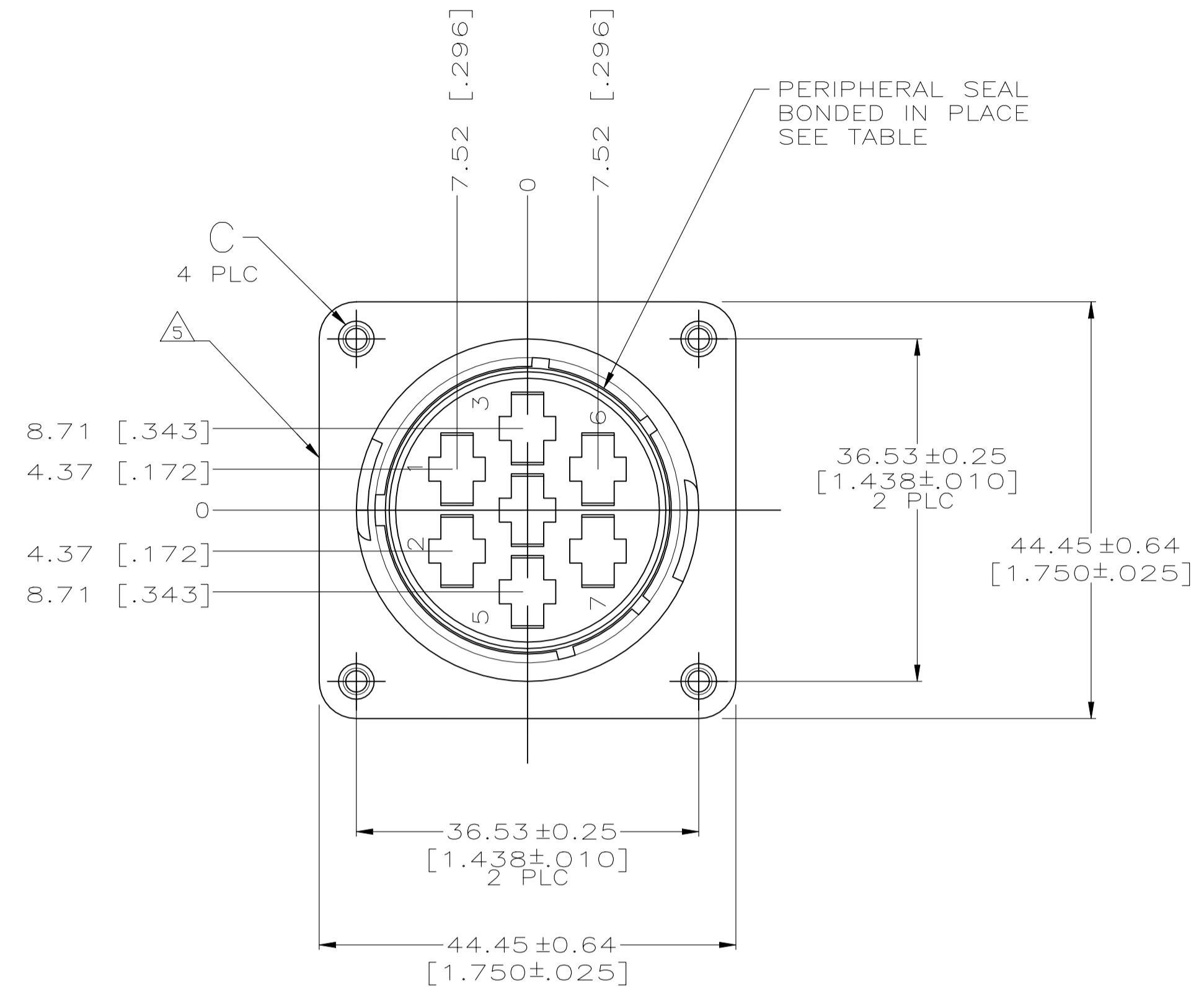
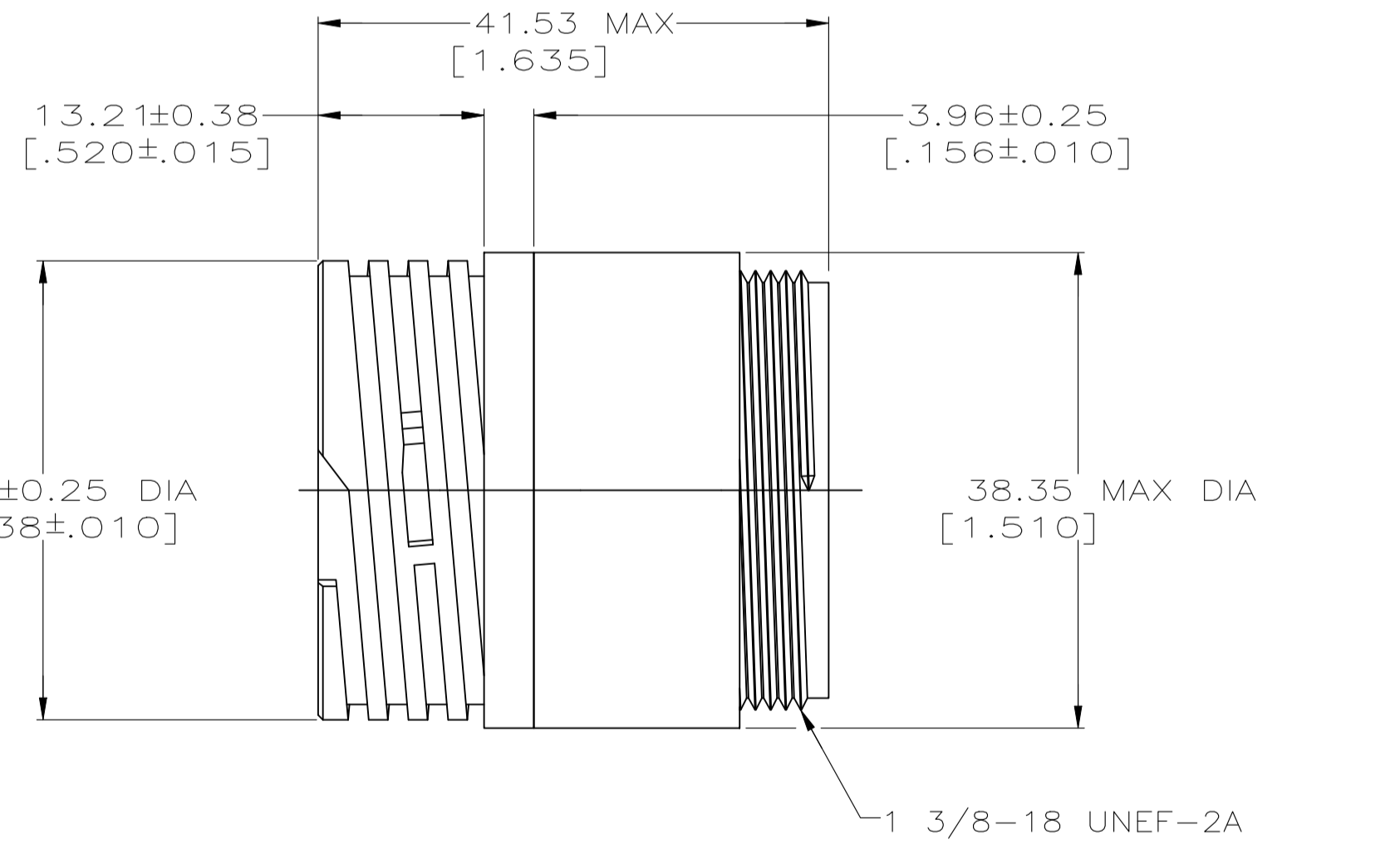
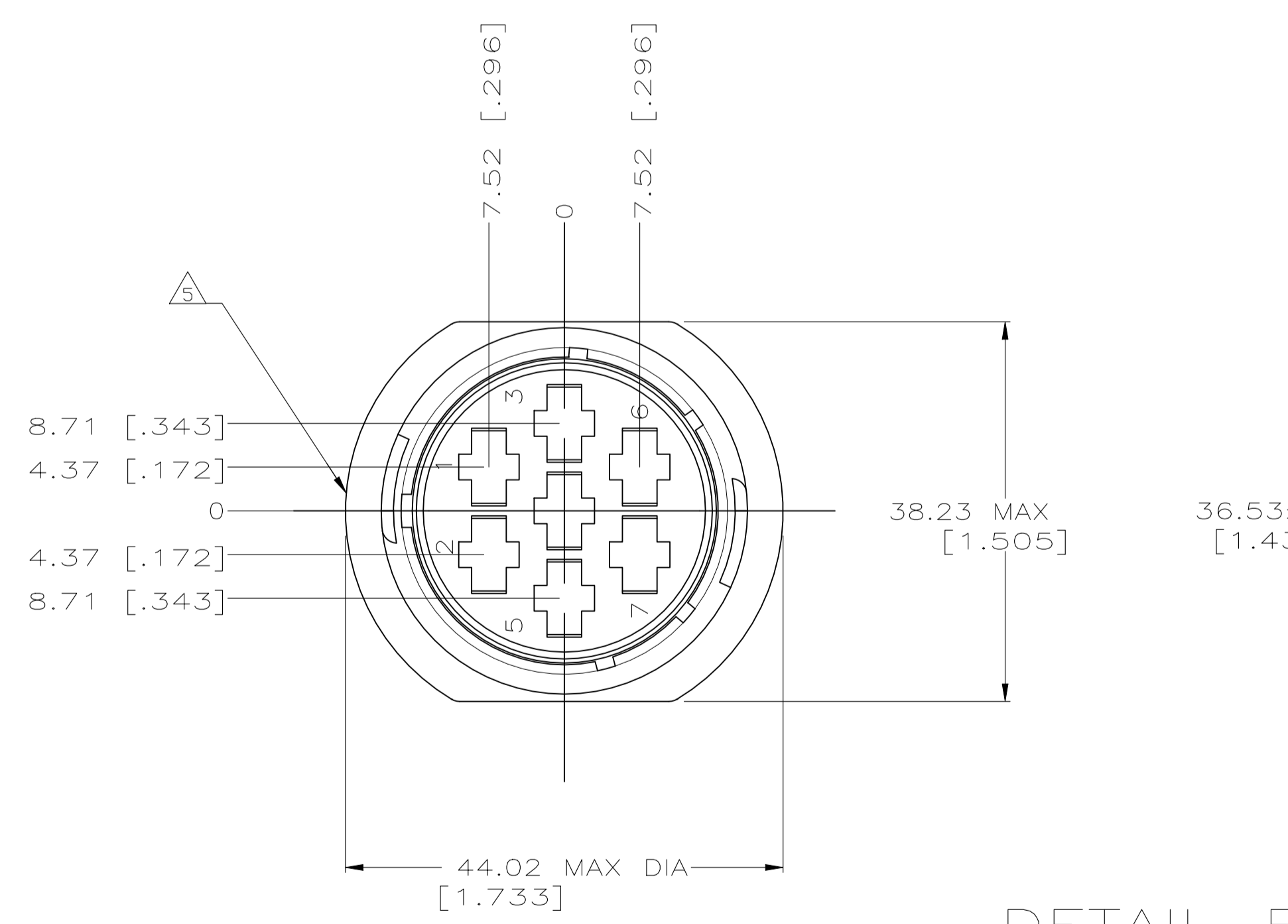


P	LTR	DESCRIPTION	DATE	DRN	APVD
N		REVISED PER ECO-21-006944	12OCT2021	RK	MZ



DETAIL A



DETAIL B

1. CAVITY IDENTIFICATION ON FRONT AND REAR FACE.
  2. WILL ACCEPT SEVEN (7) TYPE XII SOCKET CONTACTS.
- ⚠ #4 FASTENER RECOMMENDED FOR MOUNTING.
  - ⚠ OBSOLETE PARTS: OBSOLETE CIS STREAMLINING PER D.RENAUD/D.SINISI
  - ⚠ TE LOGO AND PART NUMBER LOCATED ON ANY FLANGE EDGE

4-40 THREADED INSERTS	NO	A	206227-6
3.81±0.08 [.150±.003]	YES	A	206227-5
3.81±0.08 [.150±.003]	NO	B	206227-2
3.81±0.08 [.150±.003]	NO	A	206227-1

C		PERIPHERAL SEAL	SEE DETAIL	PART NUMBER
THIS DRAWING IS A CONTROLLED DOCUMENT.				
DIMENSIONS: mm[INCHES]		TOLERANCES UNLESS OTHERWISE SPECIFIED:		
0 PLC ± -		1 PLC ± -		
1 PLC ± -		2 PLC ± 0.13 [.005]		
2 PLC ± -		3 PLC ± -		
3 PLC ± -		4 PLC ± -		
4 PLC ± -		ANGLES ± -		
MATERIAL NYLON, BLACK		FINISH -		
DIN D.HARDY 05/31/94		CIRK W.G.LENKER 06/08/94		
APVD A.FRANTUM 07/13/94		NAME		
PRODUCT SPEC 108-10024		APPLICATION SPEC		
SIZE A1		CAGE CODE 00779		DRAWING NO. C=206227
WEIGHT -		RESTRICTED TO -		
CUSTOMER DRAWING		SCALE 2:1		SHEET 1 of 1 REV N