

THIS DRAWING IS UNPUBLISHED.

RELEASED FOR PUBLICATION

-. - .

© COPYRIGHT - By -

ALL RIGHTS RESERVED.

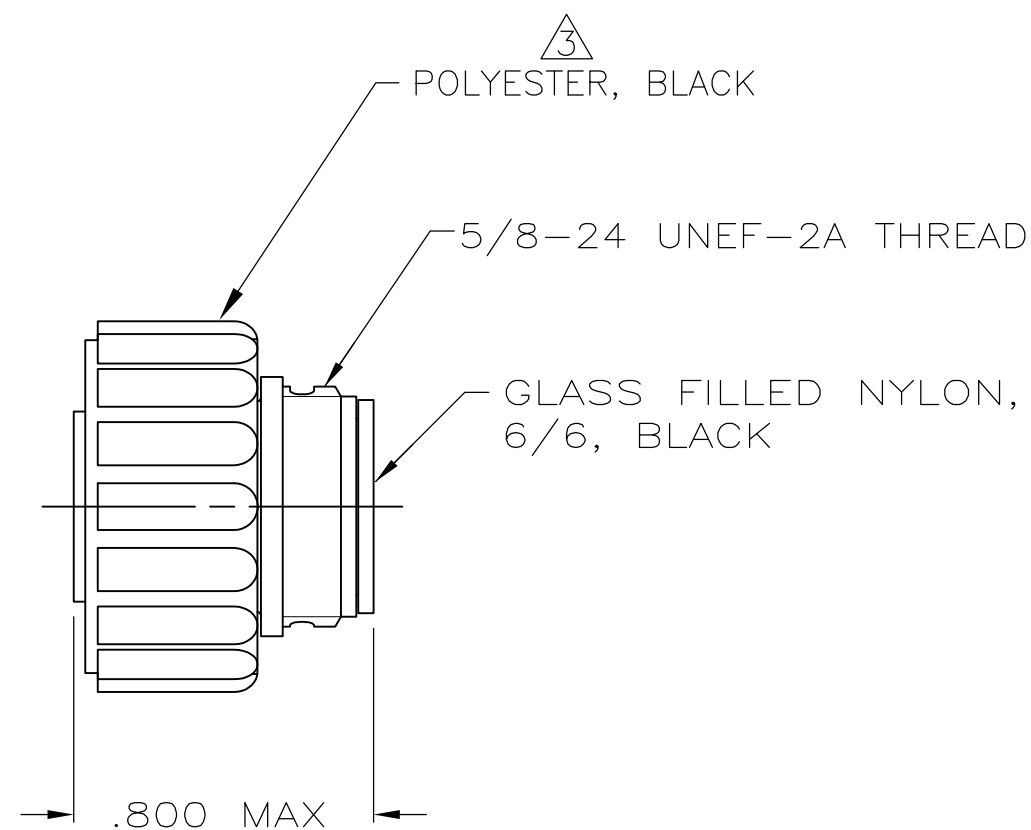
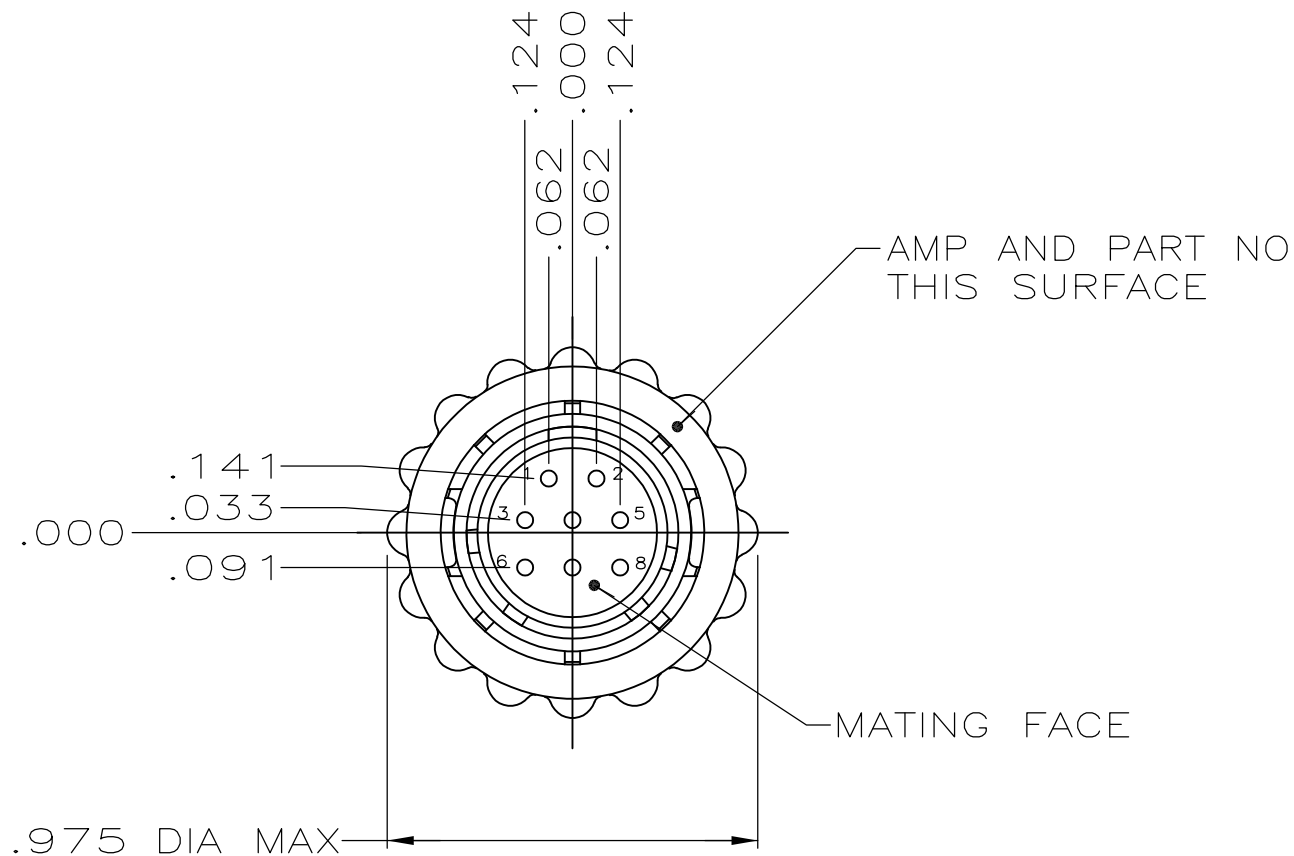
LOC FT DIST 0

REVISIONS


P	LTR	DESCRIPTION	DATE	DWN	APVD
	F2	REVISED PER ECO-11-004587	11MAR11	RK	HMR

NOTES:

- CONTACT CAVITIES IDENTIFIED BY CHARACTERS ON FRONT AND REAR FACES OF CONNECTOR.
- WILL ACCEPT (8) SIZE PIN CONTACTS.
- 206434-1 ONLY. COUPLING RING REMOVE FOR 206434-2.
- OBSOLETE PARTS: OBSOLETE CIS STREAMLINING PER D.RENAUD/D.SINISI



4	OBSOLETE	206434-2
		206434-1
		PART NUMBER

THIS DRAWING IS A CONTROLLED DOCUMENT.		DWN A.STAUB BG 4/8/91	 TE Connectivity			
DIMENSIONS: INCHES		CHK W.G.LENKER 7-23-92				
TOLERANCES UNLESS OTHERWISE SPECIFIED:		APVD -	NAME PLUG ASSEMBLY, REV SEX, SERIES 2, 11-8, CPC			
0 PLC ± - 1 PLC ± - 2 PLC ± - 3 PLC ± .005 4 PLC ± - ANGLES ± -		PRODUCT SPEC 108-10024	RESTRICTED TO -			
MATERIAL SEE		FINISH -	APPLICATION SPEC -	SIZE A3	CAGE CODE 00779	DRAWING NO C-206434
		WEIGHT -	CUSTOMER DRAWING	SCALE 2:1	SHEET 1 OF 1	REV F2