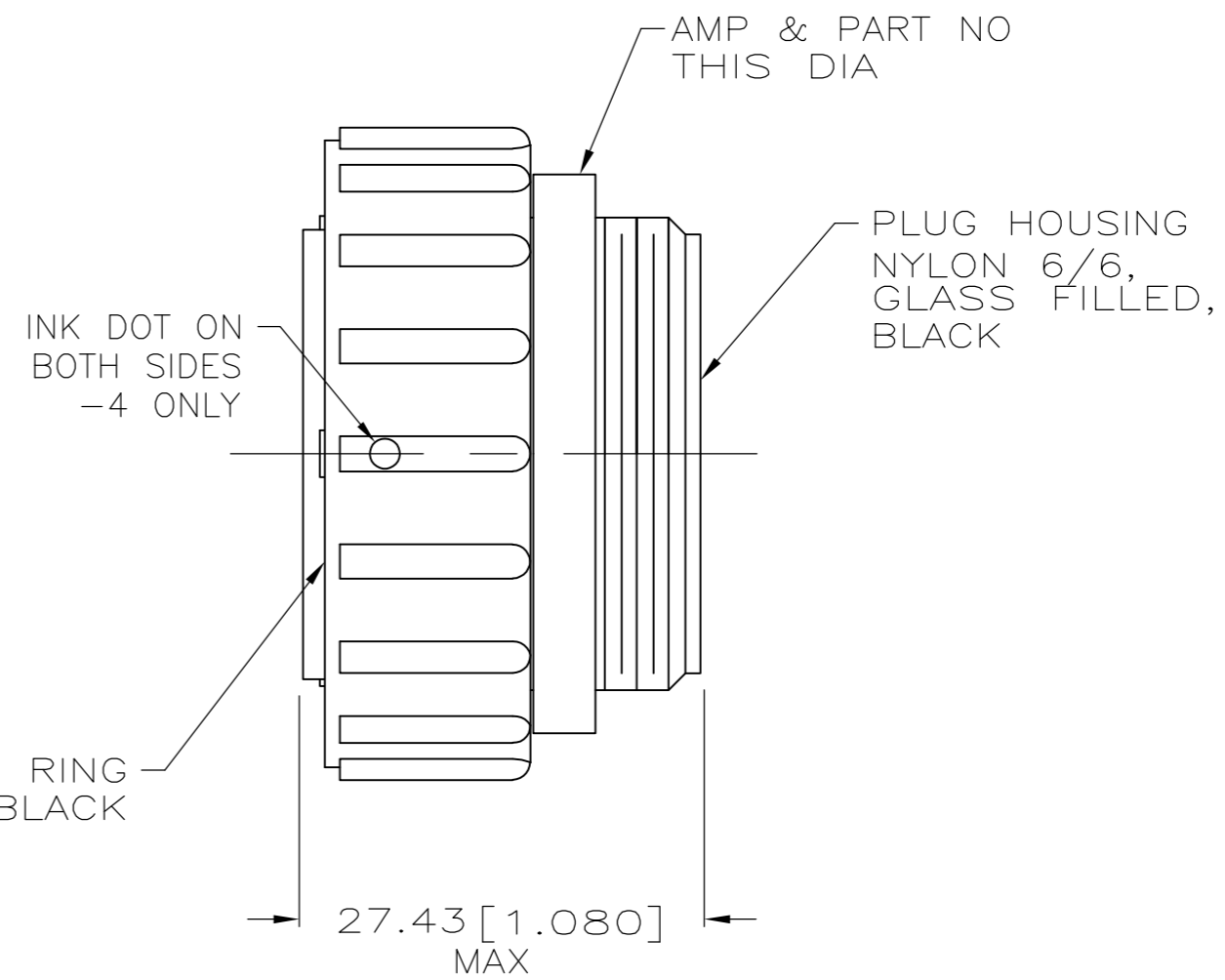
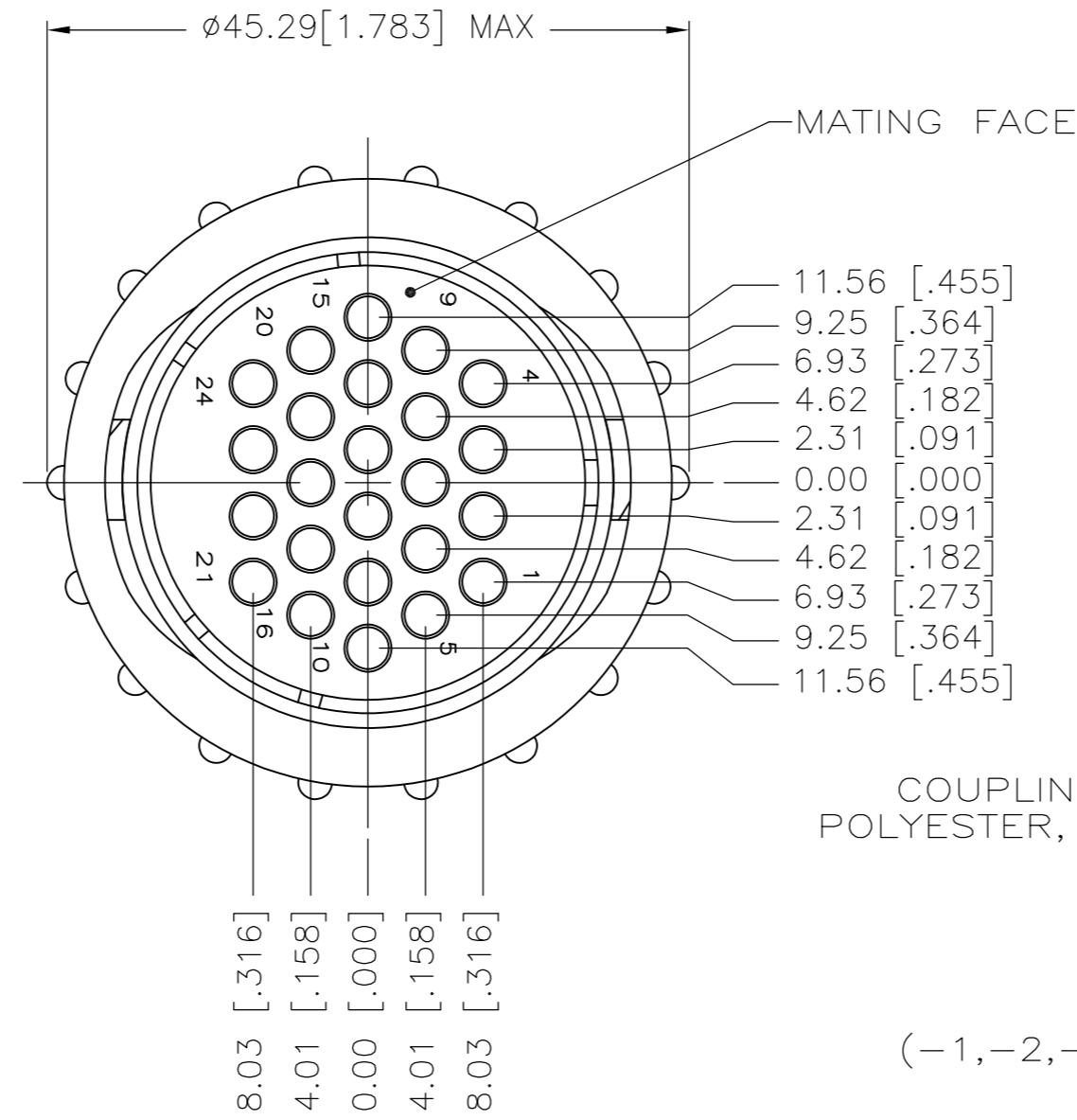
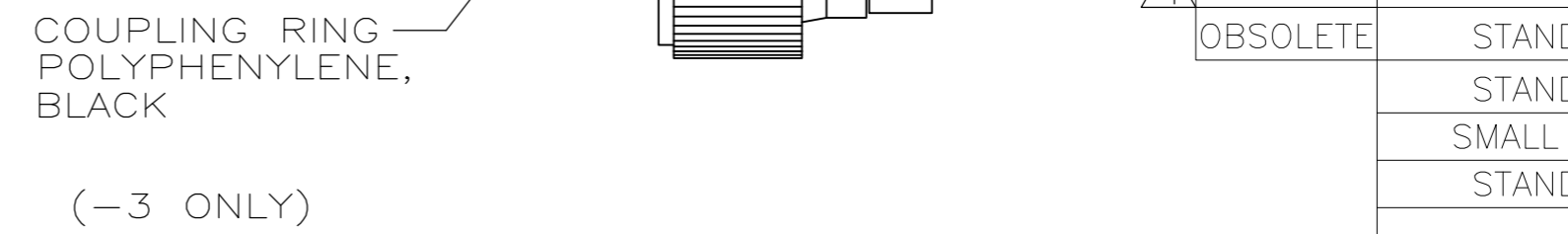
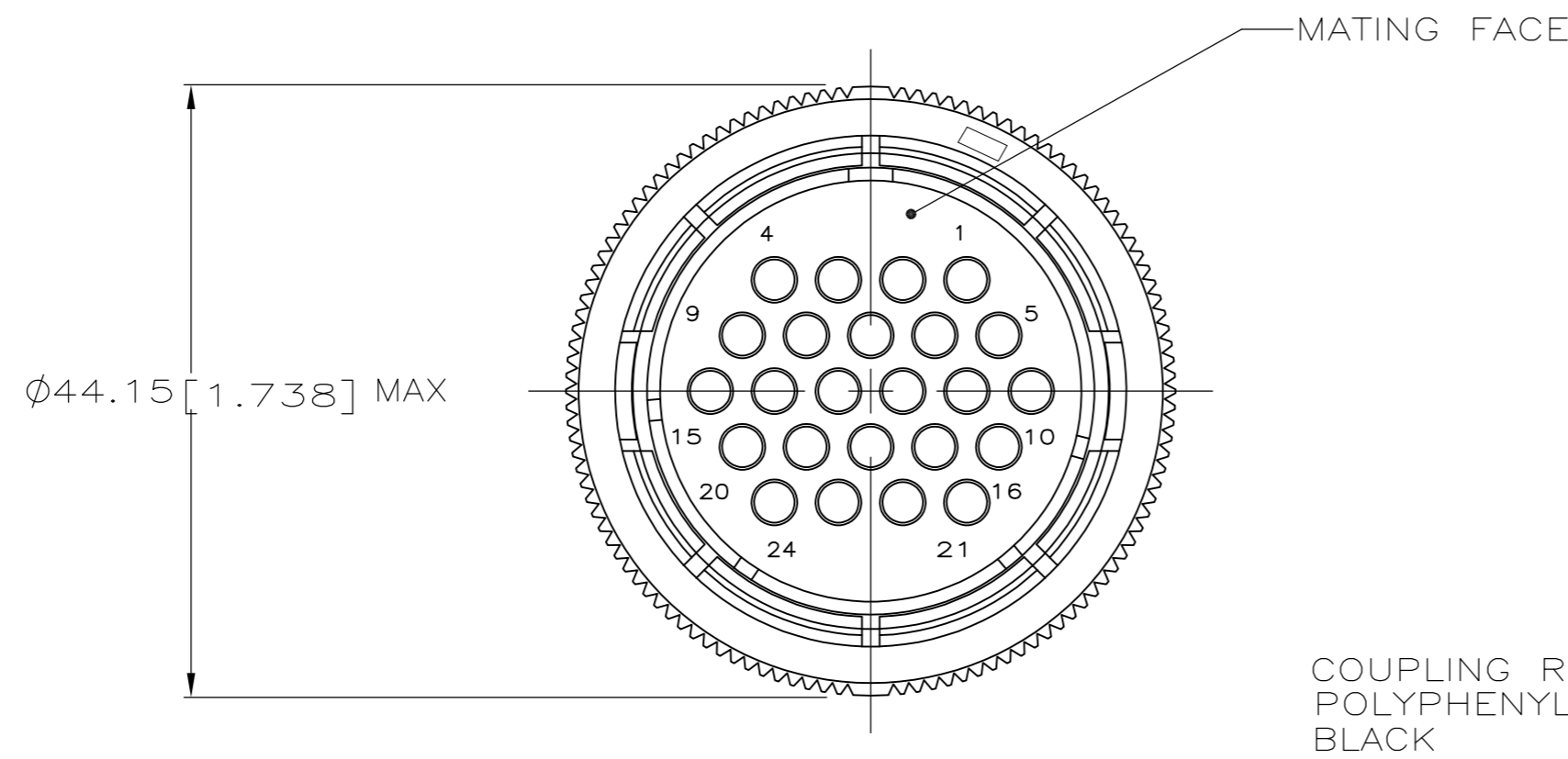


THIS DRAWING IS UNPUBLISHED. RELEASED FOR PUBLICATION  
 © COPYRIGHT - By - ALL RIGHTS RESERVED.

REVISIONS					
P	LTR	DESCRIPTION	DATE	DWN	APVD
G3		REVISED PER ECO-16-004800	10SEP2016	NK	MZ
H		REVISED PER ECO-17-000037	10MAR2017	RS	MZ



(-1, -2, -4 & -5 ONLY)



- 1 CONNECTOR WILL ACCEPT (24) MULTIMATE SOCKET CONTACTS.
- 2 MAXIMUM INSULATION NOT TO EXCEED .150 DIA.
- 3 CONTACT CAVITIES IDENTIFIED BY CHARACTERS ON FRONT AND REAR FACE OF CONNECTOR.
- 4 WHITE DOT NEAR POSITION 1 ON WIRE ENTRY FACE.

4	OBsolete	STANDARD	-206837-5
	OBsolete	STANDARD	-206837-4
		STANDARD	206837-3
		SMALL PACK	206837-2
		STANDARD	206837-1
	PACKAGING	PART NUMBER	

THIS DRAWING IS A CONTROLLED DOCUMENT.		DWN S. RIDGLEY BG 31 JUL 90		
DIMENSIONS: mm [INCHES]		CHK R. STONE 26 APR 91		
TOLERANCES UNLESS OTHERWISE SPECIFIED:		APVD K. BEAVER 03 APR 91	NAME	
0 PLC ± -		PRODUCT SPEC	108-10024	
1 PLC ± -		APPLICATION SPEC	-	
2 PLC ± -		WEIGHT	-	
3 PLC ± -		SCALE	2:1	
4 PLC ± -		SHEET	1 OF 1	
ANGLES ± -		REV	H	
FINISH -		CUSTOMER DRAWING		
MATERIAL SEE CALLOUT		SIZE A2	CAGE CODE 00779	DRAWING NO C=206837
		RESTRICTED TO		