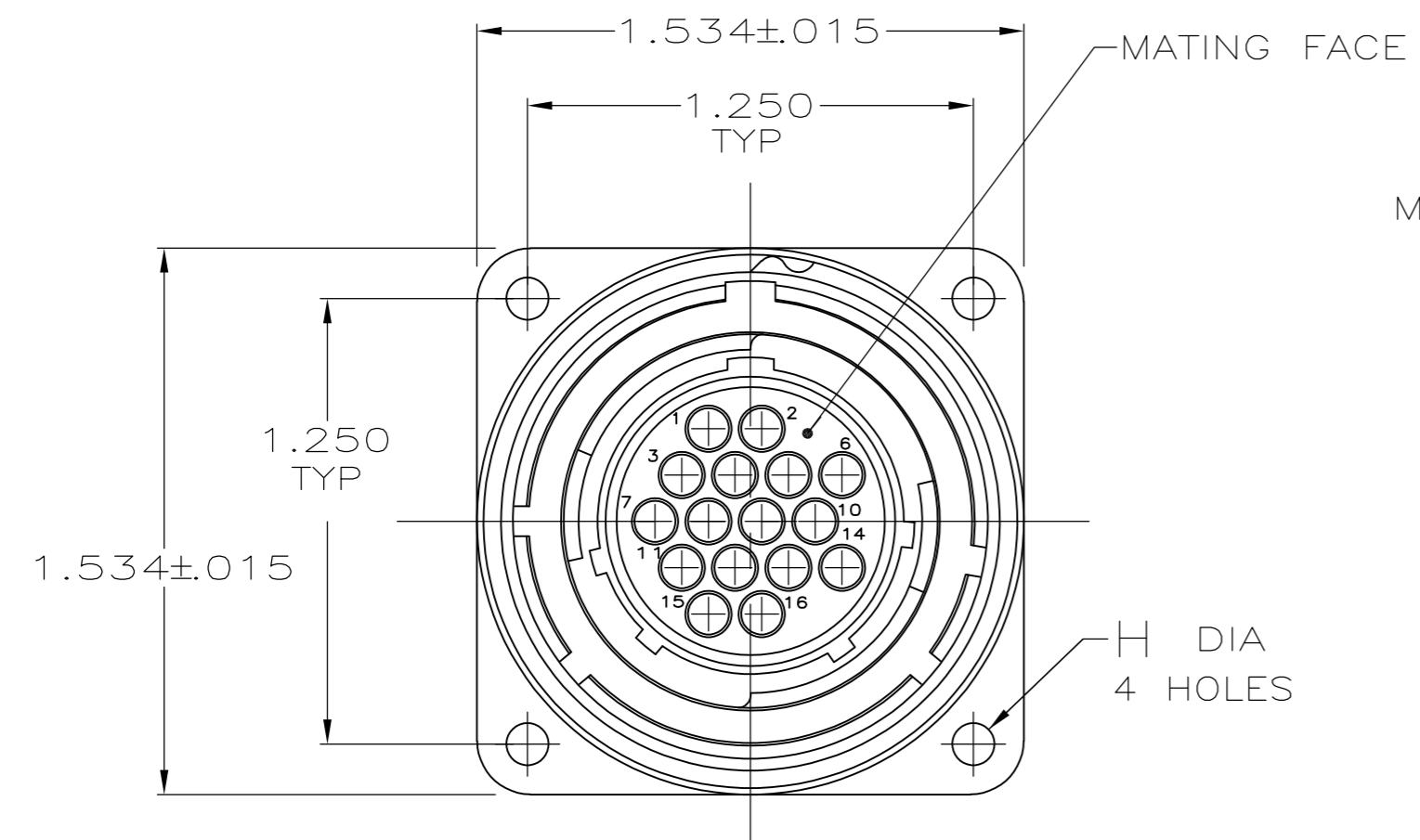


THIS DRAWING IS UNPUBLISHED. RELEASED FOR PUBLICATION  
 © COPYRIGHT - By - ALL RIGHTS RESERVED.

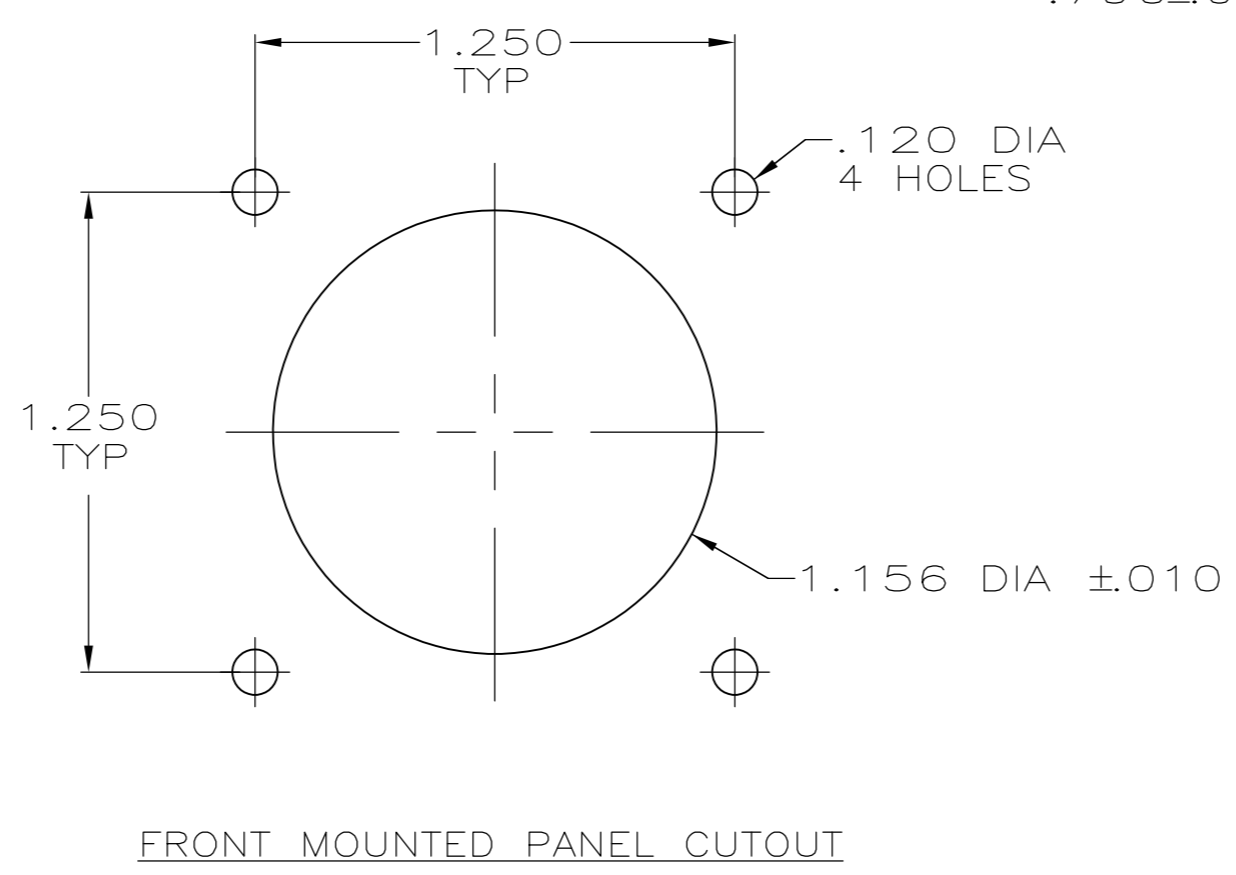
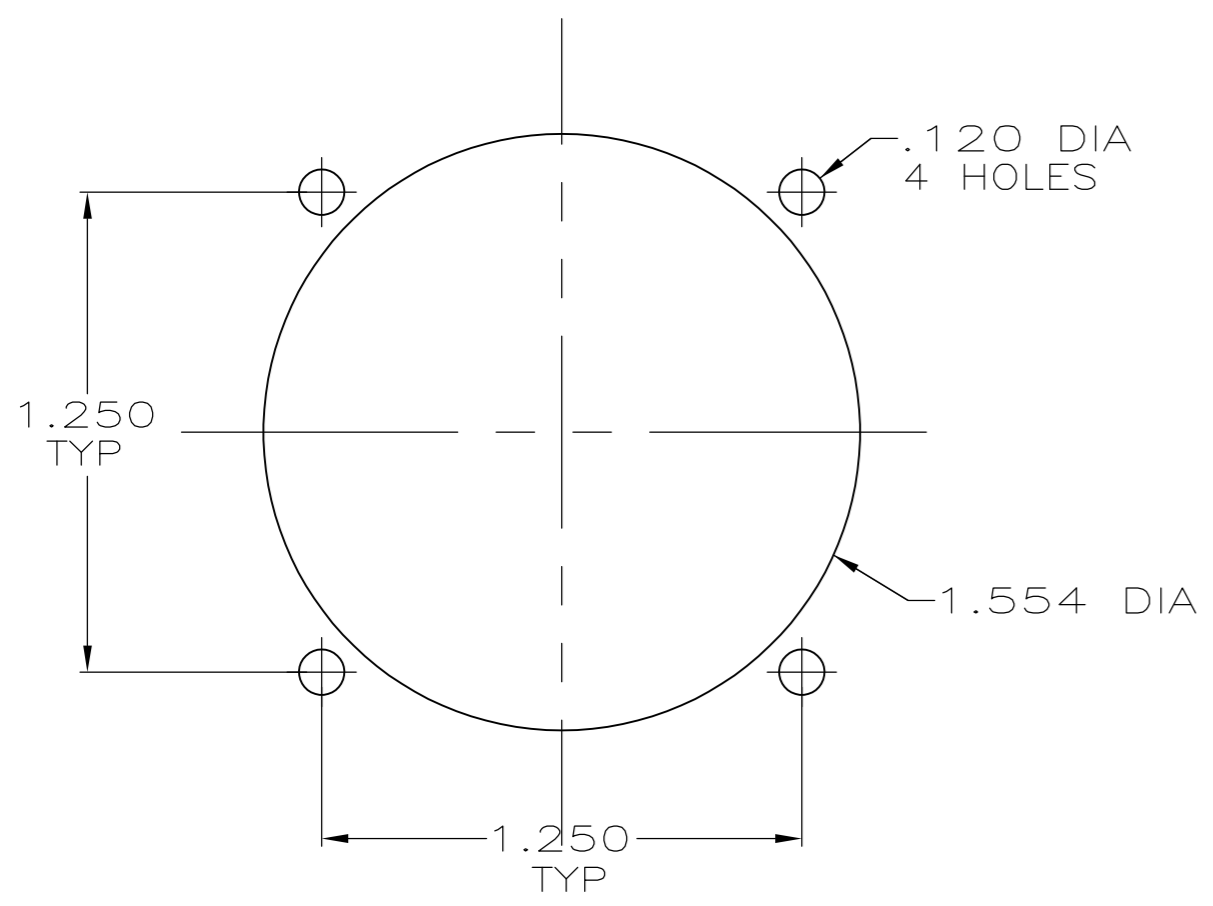
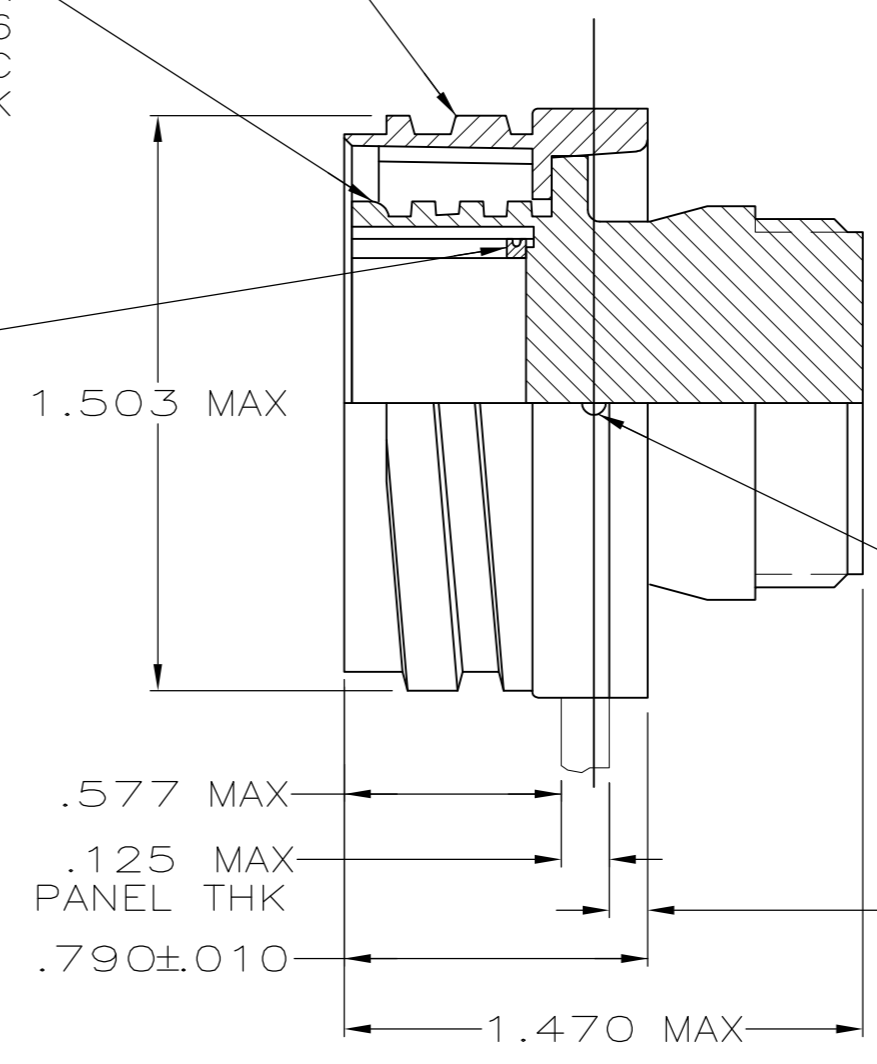
REVISIONS					
P	LTR	DESCRIPTION	DATE	DWN	APVD
M1		REVISED PER ECO-11-005027	14MAR11	RK	HMR
N		REVISED PER ECR-16-017870	20APR2017	BDA	MZ



RECEPTACLE, STD SEX  
 ARRANGEMENT 17-16  
 MATERIAL: THERMOPLASTIC  
 COLOR: BLACK

METAL SHELL RECEPTACLE  
 MATERIAL: ZINC ALLOY  
 FINISH: NICKEL PLATED PER QQ-N-290

PERIPHERAL SEAL  
 SEE TABLE



REAR MOUNTED PANEL CUTOUT

FRONT MOUNTED PANEL CUTOUT

NOTES:

- 208489-1 MATES WITH AMP PLUG 208488-1 OR -3.  
208489-2 MATES WITH 208488-1 ONLY.
- THIS RECEPTACLE ACCEPTS SIXTEEN (16) MULTIMATE PIN CONTACTS. MAXIMUM WIRE INSULATION DIAMETER = .105.
- AMP PART NUMBER AND DATE CODE LOCATED ON EDGE OF FLANGE.

OBSOLETE	M3 X 0.5	NO	208489-4
OBSOLETE	.120	YES	208489-2
	.120	NO	208489-1
	H	PERIPHERAL SEAL	PART NUMBER

THIS DRAWING IS A CONTROLLED DOCUMENT.		DWN R.LEE BG 6-28-91		
DIMENSIONS: INCHES		CHK W.G.LENKER 4-15-92		
TOLERANCES UNLESS OTHERWISE SPECIFIED:		APVD K.BEAVER 4-15-92	NAME	
		PRODUCT SPEC 108-10040	RECEPTACLE ASSEMBLY, STD SEX, SERIES 1, 22-16, CMC	
MATERIAL SEE CALLOUT		FINISH SEE CALLOUT	SIZE A2	CAGE CODE 00779
		WEIGHT -	DRAWING NO C=208489	RESTRICTED TO -
		CUSTOMER DRAWING	SCALE 2:1	SHEET 1 OF 1
			REV N	