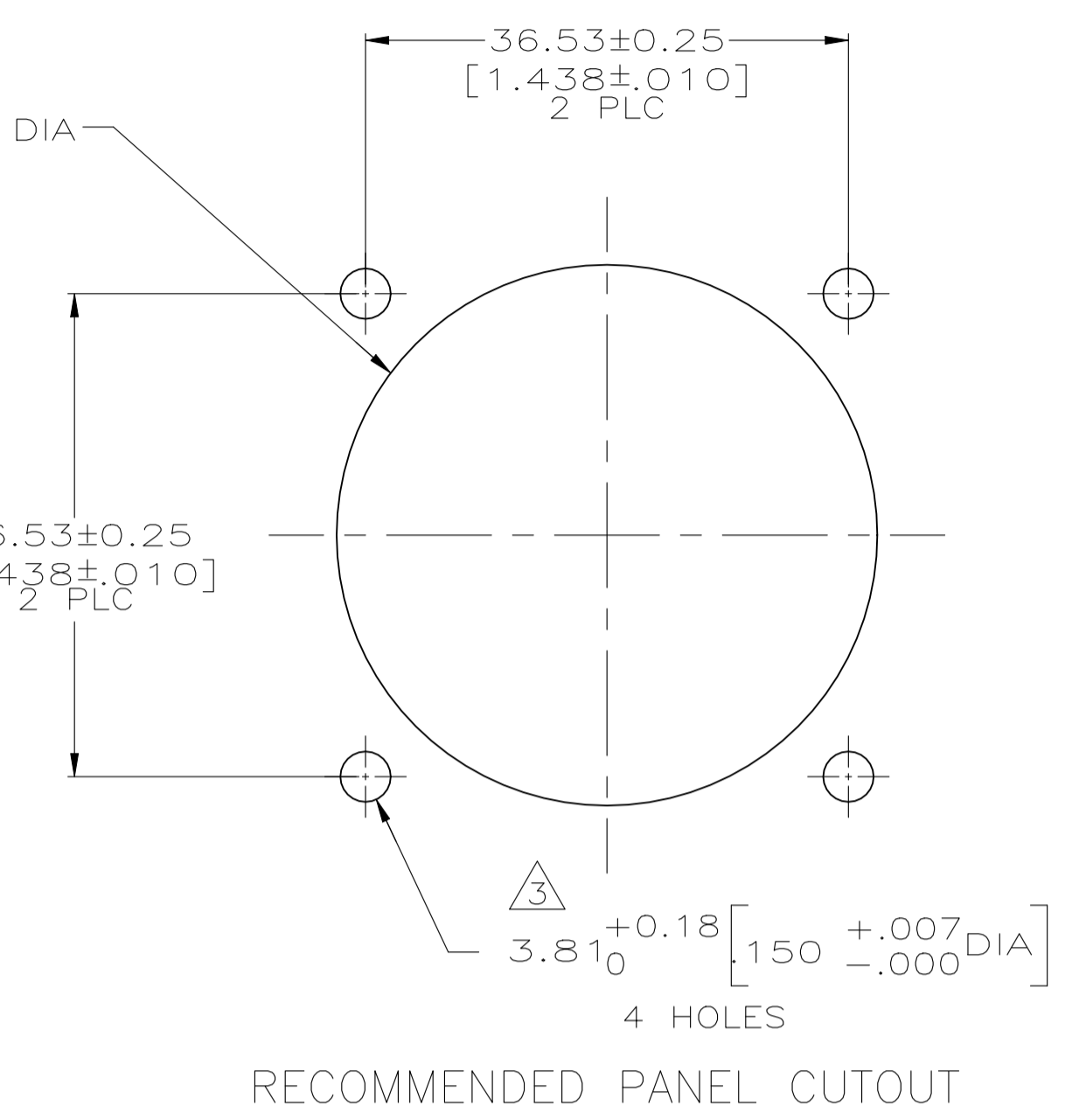
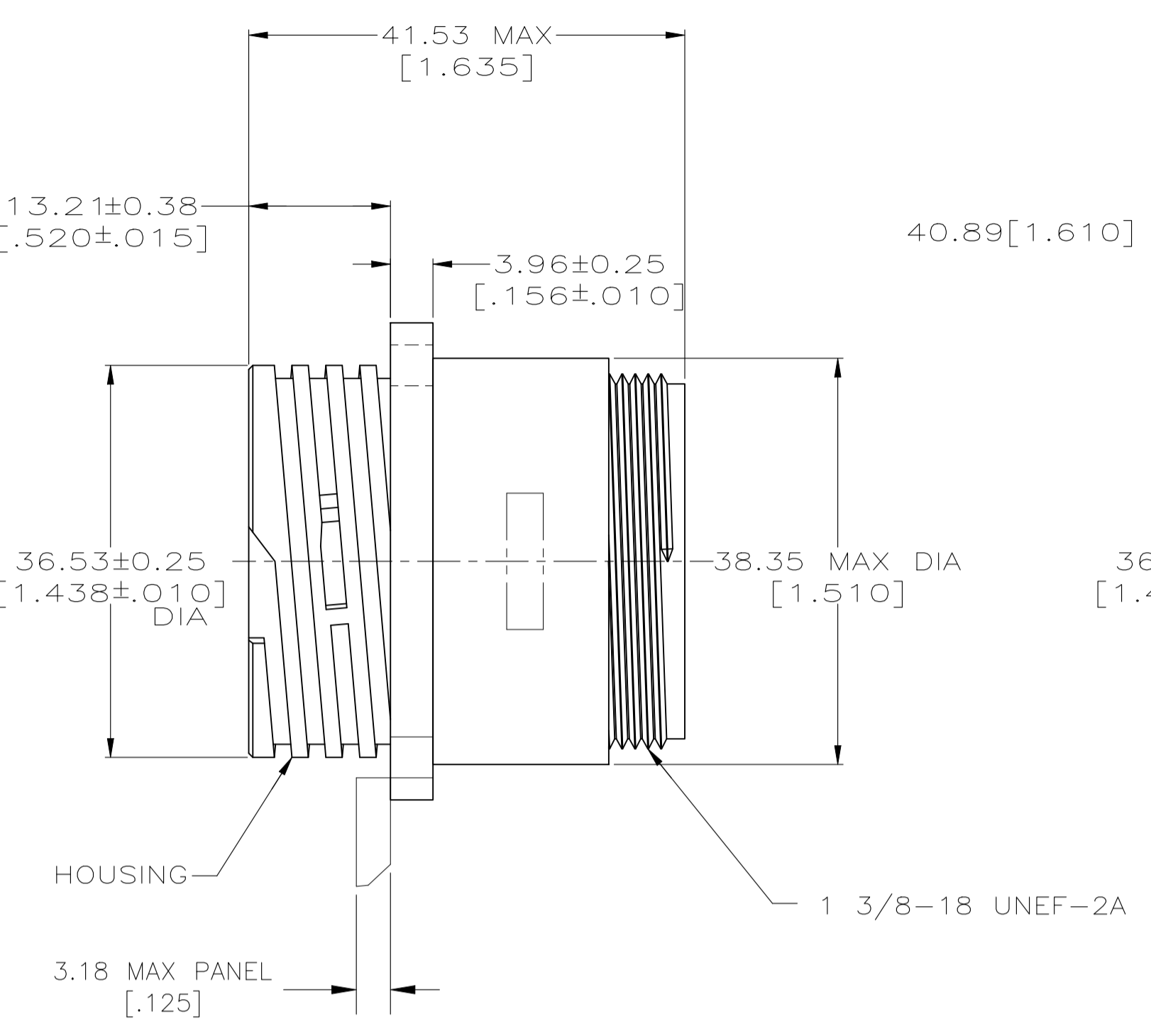
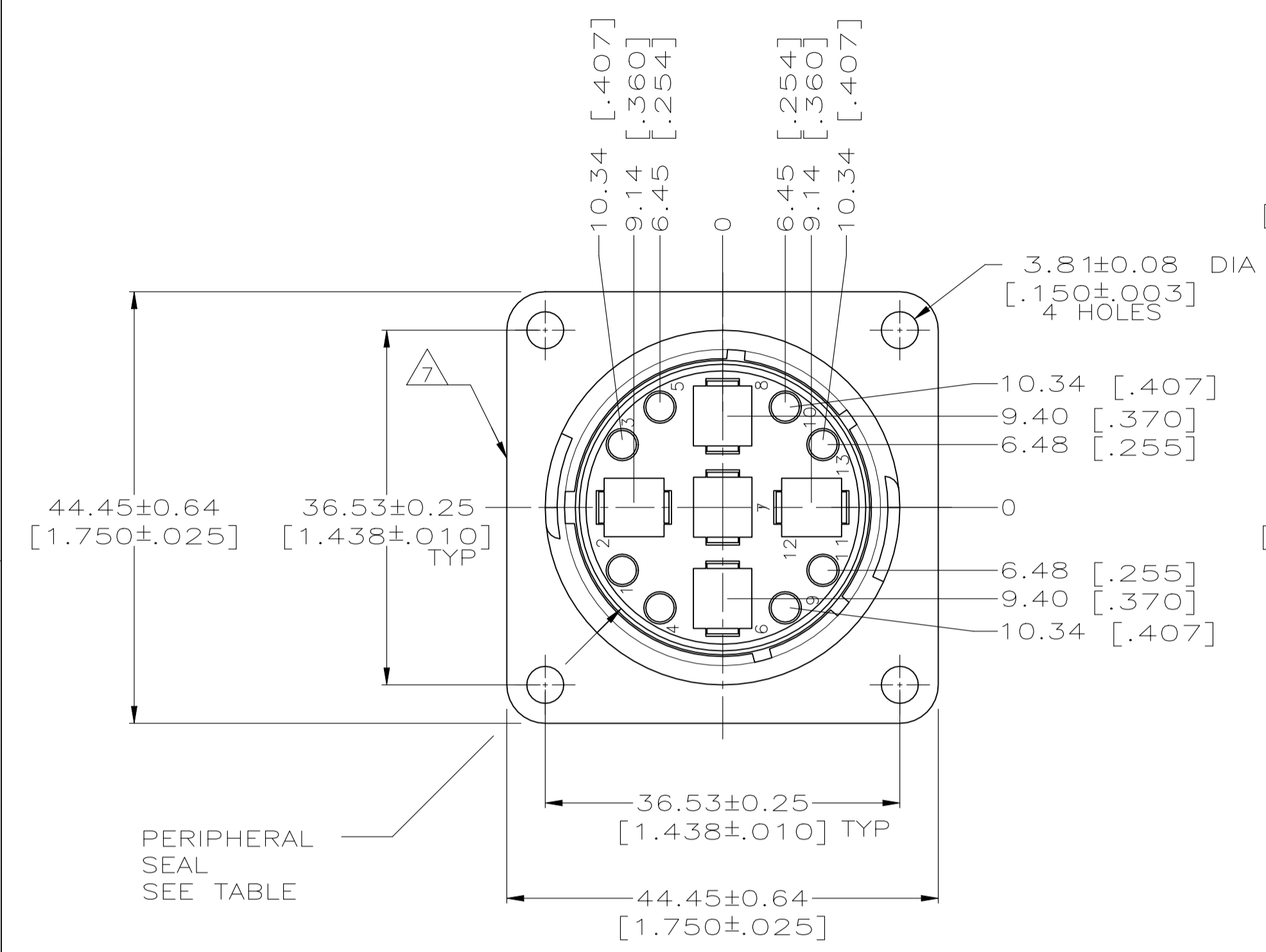
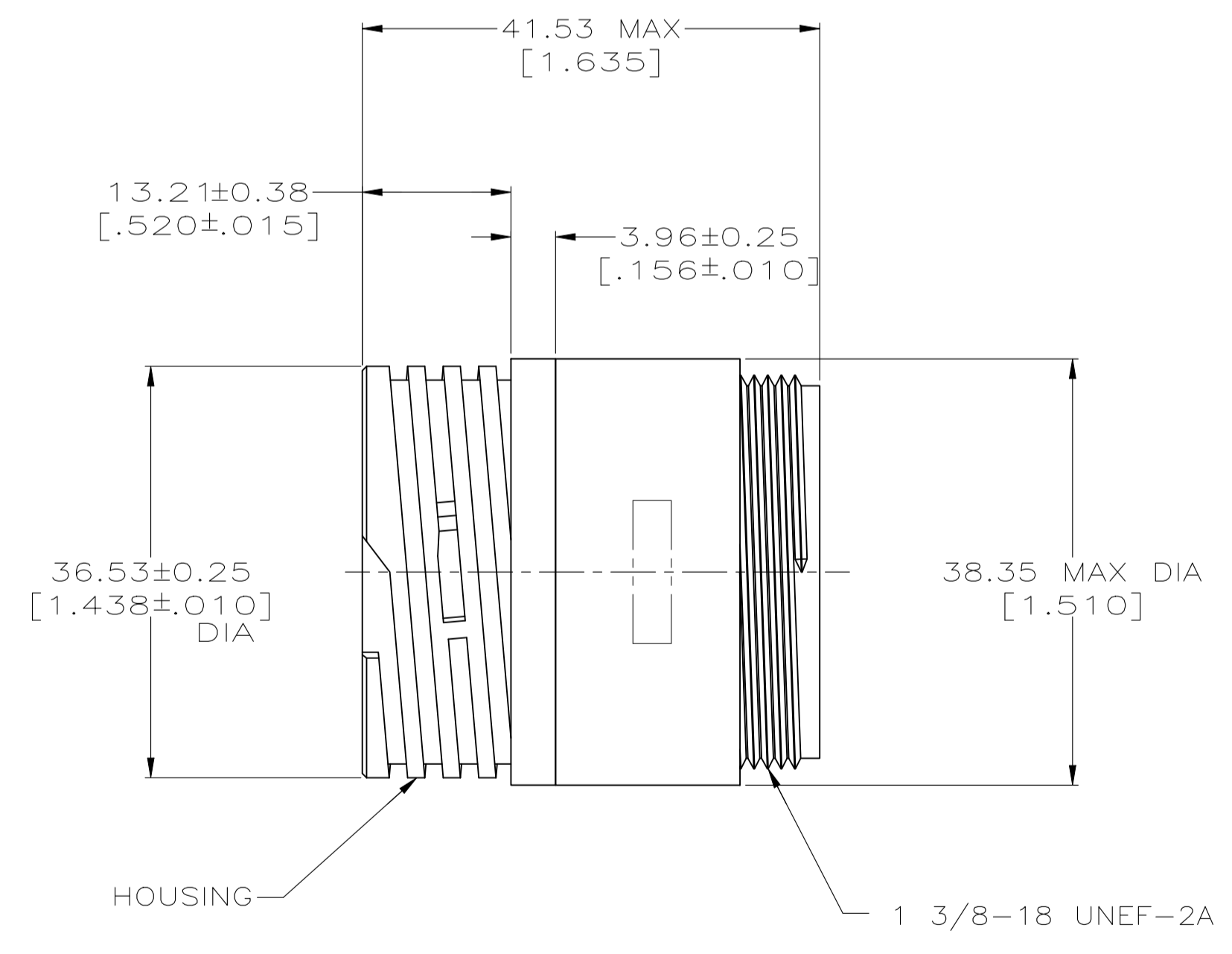
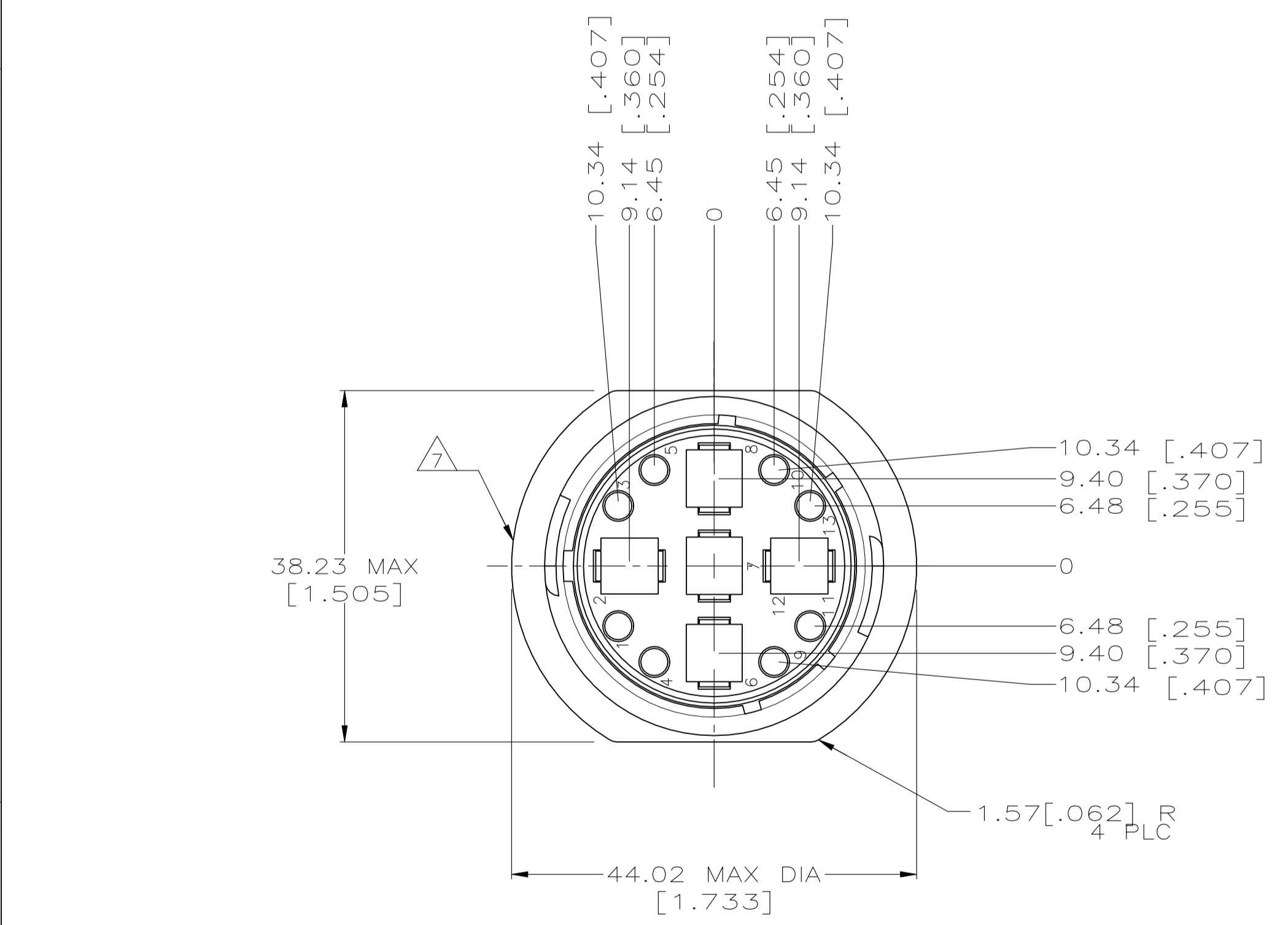


REVISIONS				
REV	DESCRIPTION	DATE	BY	APP'D
G	REVISED PER ECO-21-006944	12OCT2021	RK	MZ



DETAIL A



DETAIL B

- 1 WILL ACCEPT (8) MULTIMATE PINS AND (5) TYPE XII MALE CONTACTS.
- 2 CAVITY IDENTIFICATION ON FRONT AND REAR FACE.
- 3 CAVITY IDENTIFICATION ON FRONT AND REAR FACE.
- 4 MAX WIRE INSULATION DIAMETERS:
MULTIMATE: 3.43[.135] MAX DIA.
TYPE XII: 5.59[.220] MAX DIA.
- 5 THIS RECEPTACLE MATES WITH PLUG ASSEMBLY 211824-1.
- 6 OBSOLETE PARTS: OBSOLETE CIS STREAMLINING PER D.RENAUD/D.SINISI

7 TE LOGO AND PART NUMBER LOCATED ON ANY FLANGE EDGE

OBSOLETE	YES	A	211825-3
	NO	B	211825-2
	NO	A	211825-1
PERIPHERAL SEAL	SEE DETAIL	PART NUMBER	

THIS DRAWING IS A CONTROLLED DOCUMENT.

DIMENSIONS: mm[INCHES]	TOLERANCES UNLESS OTHERWISE SPECIFIED:	DIN M BINNER 05/26/94	APVD R STONE 6-23-94	NAME
0 PLC ± -	1 PLC ± -	APVD A FRANTUM 7-13-94	PRODUCT SPEC	108-10024
2 PLC ± 0.13[.005]	3 PLC ± -	APPLICATION SPEC	SIZE	A1
4 PLC ± -	ANGLES ± -	WEIGHT	SCALE	2:1

MATERIAL: HOUSING: NYLON, BLACK FINISH: -

TE Connectivity
RECEPTACLE HOUSING, STANDARD SEX, SHELL SIZE 23, CPC

00779 © 211825

CUSTOMER DRAWING SCALE 2:1 SHEET 1 of 1 REV G