


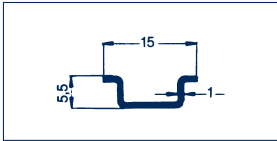
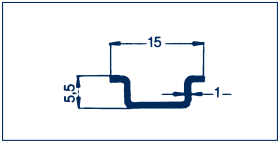
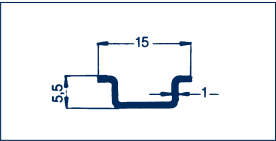





**DIN rails TS | DIN rail brackets TSTW/TST**

DIN rails TS 15		TS 15	TS 15	TS 15
<p>The design of the <b>TS</b> DIN rail complies with the European norm DIN EN 60715. The steel DIN rail is galvanized and has a coating of blue chromate that is at least 10 µm thick. We place extra importance on maintaining a high degree of dimensional accuracy. The steel DIN rails can be used as protective-earth busbars (with PE function) in compliance with DIN VDE 0611 part 3. Please note the following when using the rail as a PEN busbar:</p> <ul style="list-style-type: none"> <li>• Only one E-Cu rail should be used.</li> <li>• The short-circuit currents and the rated thermal currents must be observed.</li> </ul> <p>The DIN rails are delivered in standard lengths of 2 meters. All DIN rails are also available in prepared (cut to length) versions, but all types are available pre-cut to customers requirements.</p>				
				
				
Type	Type	TS 15 unslotted	TS 15 slotted	TS 15 ALU unslotted
Cat. no.	Cat. no.	<b>2091.0</b>	<b>2092.0</b>	<b>2711.0</b>
Type/colour	Type/colour			
Cat. no.	Cat. no.			
Features	Material	Steel	Steel	Aluminium
Processing	Processing	unslotted	slotted 4.2 x 12	unslotted

DIN rail brackets TSTW/TST		TSTW/M6	TSTW/M6	TSTW/F/M6
				
		DIN rail bracket M6	DIN rail bracket M5	DIN rail bracket M6
Type	Type	TSTW/M6	TSTW/M6	TSTW/F/M6
Cat. no.	Cat. no.	<b>2303.0</b>	<b>2414.0</b>	<b>2563.0</b>
Type/colour	Type/colour			
Cat. no.	Cat. no.			
Features	Material	Steel	Steel	Steel
Drill hole	Drill hole	M 6	M 5	M 6
Height, mm	Height, mm	48	48	32
Accessories	Screw	BS M 6x12/15	BS M 5x8/15	BS M 6x12/15
Cat. no.	Cat. no.	<b>2304.0</b>	<b>2415.0</b>	<b>2304.0</b>
		Qty. 50	Qty. 50	Qty. 50