

Locknuts - NPT Thread Metal/Polyamide

Nickel Plated Brass (NPB)



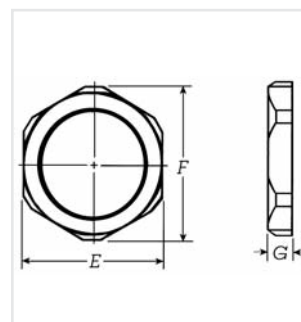
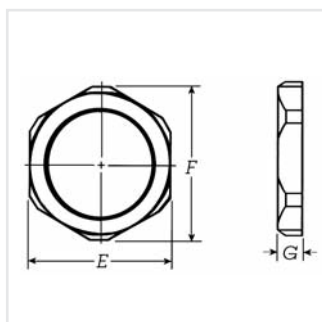
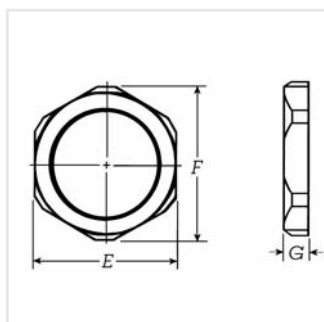
Polyamide (PA) Light Gray



Polyamide (PA) Black



| Material Specifications | Nickel Plated Brass (NPB) | | Polyamide (PA) | | Polyamide (PA) | |
|-------------------------|-----------------------------|----------|----------------------------|----------|----------------------------|----------|
| Temperature Range | -40 to 300°C (-40 to 572°F) | | -20 to 100°C (-4 to 212°F) | | -20 to 100°C (-4 to 212°F) | |
| Color | | | Light Gray | | Black | |
| Size | Cat. No. | Std. Pk. | Cat. No. | Std. Pk. | Cat. No. | Std. Pk. |
| NPT1/4" | 23219.9 | 50 | - | - | - | - |
| NPT3/8" | 23200.9 | 50 | 23203.9 | 50 | 23207.9 | 50 |
| NPT1/2" | 23201.9 | 50 | 23204.9 | 50 | 23208.9 | 50 |
| NP3/4" | 23202.9 | 25 | 23205.9 | 25 | 23209.9 | 25 |
| NPT1" | 23211.9 | 10 | 23206.9 | 10 | 23210.9 | 10 |
| NPT1-1/4" | 23216.9 | 10 | - | - | - | - |
| NPT1-1/2" | 23217.9 | 10 | - | - | - | - |
| NPT2" | 23218.9 | 10 | - | - | - | - |



| Dimensions: mm (in.) Size | Nickel Plated Brass (NPB) | | | Polyamide (PA) Light Gray | | | Polyamide (PA) Black | | |
|------------------------------|---------------------------|-------------|-----------|---------------------------|-------------|-----------|----------------------|-------------|-----------|
| | E | F | G | E | F | G | E | F | G |
| NPT1/4" | 18.0 (.71) | 20.0 (.79) | 4.0 (.16) | - | - | - | - | - | - |
| NPT3/8" | 21.0 (.83) | 24.0 (.94) | 4.0 (.16) | 22.0 (.87) | 24.0 (.94) | 5.0 (.20) | 22.0 (.87) | 24.0 (.94) | 5.0 (.20) |
| NPT1/2" | 26.0 (1.02) | 29.0 (1.14) | 5.5 (.22) | 27.0 (1.06) | 29.0 (1.14) | 6.0 (.24) | 27.0 (29.0) | 29.0 (1.14) | 6.0 (.24) |
| NPT3/4" | 32.0 (1.26) | 36.0 (1.42) | 5.5 (.22) | 36.0 (1.42) | 39.0 (1.54) | 7.0 (.28) | 36.0 (1.42) | 39.0 (1.54) | 7.0 (.28) |
| NPT1" | 41.0 (1.61) | 45.0 (1.77) | 7.0 (.28) | 42.0 (1.65) | 46.0 (1.81) | 7.0 (.28) | 42.0 (1.65) | 46.0 (1.81) | 7.0 (.28) |
| NPT1-1/4" | 51.0 (2.01) | 56.0 (2.20) | 7.0 (.28) | - | - | - | - | - | - |
| NPT1-1/2" | 60.0 (2.36) | 65.0 (2.56) | 7.0 (.28) | - | - | - | - | - | - |
| NPT2" | 70.0 (2.76) | 75.0 (2.95) | 7.0 (.28) | - | - | - | - | - | - |