

Locknuts - NPT Thread Metal/Polyamide

Nickel Plated Brass (NPB)



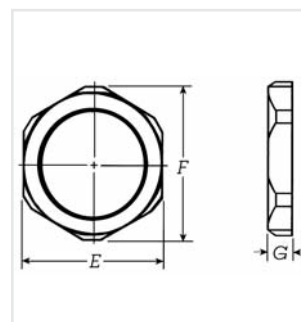
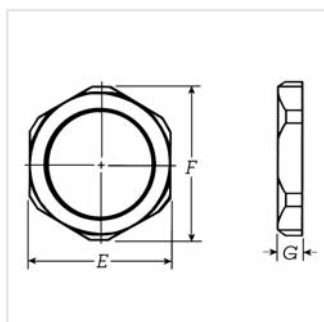
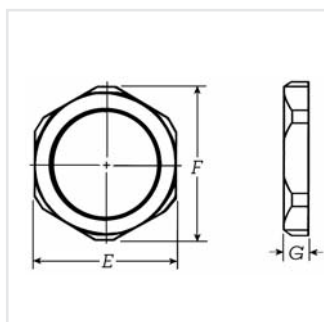
Polyamide (PA) Light Gray



Polyamide (PA) Black



Material Specifications	Nickel Plated Brass (NPB)		Polyamide (PA)		Polyamide (PA)	
Temperature Range	-40 to 300°C (-40 to 572°F)		-20 to 100°C (-4 to 212°F)		-20 to 100°C (-4 to 212°F)	
Color			Light Gray		Black	
Size	Cat. No.	Std. Pk.	Cat. No.	Std. Pk.	Cat. No.	Std. Pk.
NPT1/4"	23219.9	50	-	-	-	-
NPT3/8"	23200.9	50	23203.9	50	23207.9	50
NPT1/2"	23201.9	50	23204.9	50	23208.9	50
NP3/4"	23202.9	25	23205.9	25	23209.9	25
NPT1"	23211.9	10	23206.9	10	23210.9	10
NPT1-1/4"	23216.9	10	-	-	-	-
NPT1-1/2"	23217.9	10	-	-	-	-
NPT2"	23218.9	10	-	-	-	-



Dimensions: mm (in.) Size	Nickel Plated Brass (NPB)			Polyamide (PA) Light Gray			Polyamide (PA) Black		
	E	F	G	E	F	G	E	F	G
NPT1/4"	18.0 (.71)	20.0 (.79)	4.0 (.16)	-	-	-	-	-	-
NPT3/8"	21.0 (.83)	24.0 (.94)	4.0 (.16)	22.0 (.87)	24.0 (.94)	5.0 (.20)	22.0 (.87)	24.0 (.94)	5.0 (.20)
NPT1/2"	26.0 (1.02)	29.0 (1.14)	5.5 (.22)	27.0 (1.06)	29.0 (1.14)	6.0 (.24)	27.0 (29.0)	29.0 (1.14)	6.0 (.24)
NPT3/4"	32.0 (1.26)	36.0 (1.42)	5.5 (.22)	36.0 (1.42)	39.0 (1.54)	7.0 (.28)	36.0 (1.42)	39.0 (1.54)	7.0 (.28)
NPT1"	41.0 (1.61)	45.0 (1.77)	7.0 (.28)	42.0 (1.65)	46.0 (1.81)	7.0 (.28)	42.0 (1.65)	46.0 (1.81)	7.0 (.28)
NPT1-1/4"	51.0 (2.01)	56.0 (2.20)	7.0 (.28)	-	-	-	-	-	-
NPT1-1/2"	60.0 (2.36)	65.0 (2.56)	7.0 (.28)	-	-	-	-	-	-
NPT2"	70.0 (2.76)	75.0 (2.95)	7.0 (.28)	-	-	-	-	-	-