

Ⓜ THIS KEP NUT (2 PLS.) IS TIGHTENED AT THE FACTORY TO THE PROPER SPECS AND MUST NOT BE LOOSENEED OR REMOVED UNDER ANY CIRCUMSTANCES. REMOVING OR LOOSENING THIS NUT WILL CAUSE PRODUCT TO MALFUNCTION. SEE NOTE 7

Ⓜ PVC TO ADHERE TO BRACKETS AND NUTS. SEE NOTE 6

- NOTES:
1. ALL STEEL PARTS ARE PLATED.
 2. ALL DIMENSIONS ARE REFERENCE ONLY UNLESS OTHERWISE SPECIFIED.
 3. NORMALLY OPEN (N.O.) CONTACTS.
 4. MAX TORQUE: #10-32= 15 IN-LBS (1.69 N.m) 5/16-24= 35 IN-LBS (3.95 N.m)
 5. HARDWARE MAY BE ASSEMBLED, BAGGED OR SHIPPED LOOSE, SEE CHART. IF HARDWARE IS BAGGED IT WILL BE DONE AT COLE HERSEE'S DISCRETION
 - Ⓜ 6. PVC COATING MUST ADHERE TO BRACKET AND ALL HEX NUTS TO SEAL SOLENOID.
 - Ⓜ 7. DO NOT REMOVE OR LOOSEN 5/16 KEP NUTS. THEY SECURE POWER STUD TO SOL. CASE.
 - Ⓜ 8. 10/32 KEP NUTS MUST NOT BE LOOSENEED, TIGHTENED OR REMOVED--FACTORY TORQUED TO PROPER SPECS.

- ADDITIONAL NOTES:**
- INTERIOR POTTED WITH HENCOL#13 EPOXY TO ENCAPSULATE COIL AND COIL LEADS AGAINST VIBRATION.
 - COIL WIRES SECURED WITH RTV.
 - BOBBIN SECURED IN PLACE WITH EPOXY PLACED AROUND THE TOP RIM.
 - ALL PARTS ARE SHIPPED LOOSE.
 - PART NUMBER, DATE CODE & VOLTAGE INK STAMPED ON THIS SURFACE.
 - COIL SURPRESSION DIODE#1N4005, MOUNTED INTERNALLY.
 - CONTAINS IGNITION COIL RESISTOR SHORTING CIRCUIT.
 - SILVER CONTACT SURFACES.
 - UL & CE APPROVED.
 - USES 081112 SPRING FOR STRONGER CONTACT RETURN FORCE. Ⓜ

| CONSERVATIVE ELECTRICAL RATINGS Ⓜ | | |
|-----------------------------------|------------------------------|--|
| A | INTERMITTENT DUTY 24-36V DC | 120 AMPS MAKE, 65 AMPS BREAK 10 SECONDS ON, 30 MINUTES OFF |
| B | INTERMITTENT DUTY 6-12V DC | 750 AMPS MAKE, 100 AMPS BREAK 10 SECONDS ON, 20 MINUTES OFF |
| C | CONTINUOUS DUTY 24V DC | 200 AMPS CARRY ONLY. 150 AMPS MAKE & BREAK Ⓜ |
| D | CONTINUOUS DUTY 12V DC Ⓜ | 200 AMPS, MAKE&BREAK. INRUSH: 600A |
| E | CONTINUOUS DUTY 6-36V DC | 85 AMPS, 125A MAKE & BREAK Ⓜ |
| F | UL & CE INTERMITTENT RATING: | 750 AMPS@12VDC MAKE, 100 AMPS BREAK 10 SECONDS ON, 30 MINUTES OFF |
| G | UL & CE CONTINUOUS RATING: | 65 AMPS, 12V DC |
| | INTERMITTENT RATING: | 750 AMPS MAKE, 100 AMPS BREAK 10 SECONDS ON, 30 MINUTES OFF |
| H | UL & CE CONTINUOUS RATING: | 65 AMPS, 24V DC |
| | INTERMITTENT RATING: | 120 AMPS MAKE, 65 AMPS BREAK 10 SECONDS ON, 30 MINUTES OFF |
| J | UL & CE CONTINUOUS RATING: | 65 AMPS, 36V DC |
| | INTERMITTENT RATING: | 120 AMPS MAKE, 65 AMPS BREAK 10 SECONDS ON, 30 MINUTES OFF |
| K | CONTINUOUS DUTY: | 200 AMPS,36VDC, CARRY ONLY. |

| Revision Control Record | | | | Revision Control Record | | | |
|-------------------------|-----------------------|---------|----------|-------------------------|-----------------------|---------|----------|
| Rev. | Description of Change | ECN No. | Date | Rev. | Description of Change | ECN No. | Date |
| | | | | N | CHART CHANGE | 01579 | 10/11/01 |
| V | BOM REV. UPDATED | 12101 | 03/29/12 | M | ADDED 24143-03 | 01338 | 6/5/01 |
| U | DRAWING CLARIFIED | 09449 | 09/18/09 | L | NOTE CHANGE | 01045 | 1/25/01 |
| P | ADDED PN24106-07 | 07078 | 3/5/07 | K | PUT ON AUTOCAD | N/A | 12/12/00 |

Tolerances Unless otherwise specifically noted, the following are default tolerances:
 * 2-place Decimal Dimensions +/- .02"
 * 3-place Decimal Dimensions +/- .005"
 * Angular Dimensions +/- 1.0 Deg.
 * Metric: Refer to equivalent English Dimension Tolerance
 * >>> NOTE: All tolerances are Non-Cumulative. <<<<

Dimensional Units All dimensions are expressed in inches except those shown in brackets (xxx) are expressed in millimeters

BEE or an Asterisk (*) = Non-Toleranced Reference Dimension, shown for clarification purposes only.

Used On or Ref.: Scale: **1:1**

PROPRIETARY INFORMATION This Engineering Drawing, and the information contained herein, is proprietary to Cole Hersee Company and may not be disclosed, reproduced, or in any other way transferred or communicated to any other party without the express written consent of an authorized representative of Cole Hersee Company.

DESIGN CONTROL It is the responsibility of the individual using / referencing this drawing to assure that the noted design revision level agrees with the revision level of the Controlled Document (Master Drawing). This is a NON-CONTROLLED DOCUMENT unless otherwise specifically noted.

DO NOT SCALE - Dimensional variation may occur during printing / reproduction.

Drawn By: **CF** Date Drawn: **4/1/66**

Key for Special Characteristics:

- Ⓜ Critical Characteristic, relating to Safety and/or Regulatory Compliance
- Ⓧ Significant Characteristic relating to Process Control (SPC)
- Ⓞ Control Dimension relating to Form - Fit - Function as defined by Cole Hersee Company and/or the Customer

(Note that the identification of any Characteristics as being "Special" does not alter the requirement that ALL specified dimensions & tolerances must be met.)

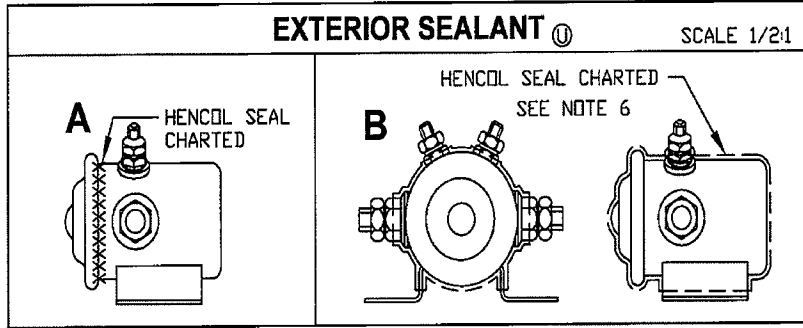
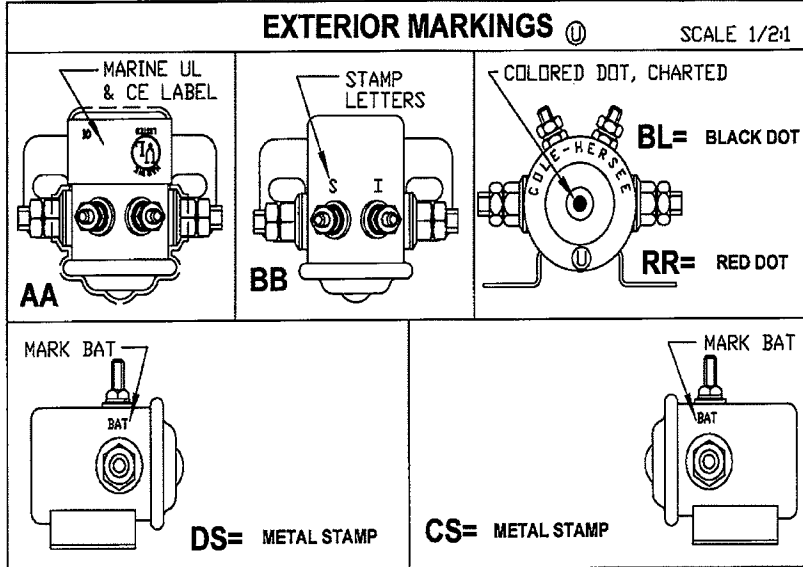
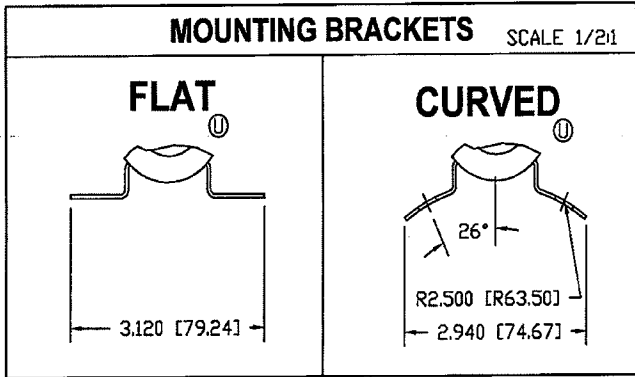
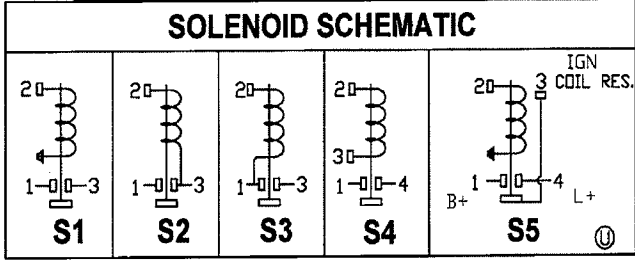
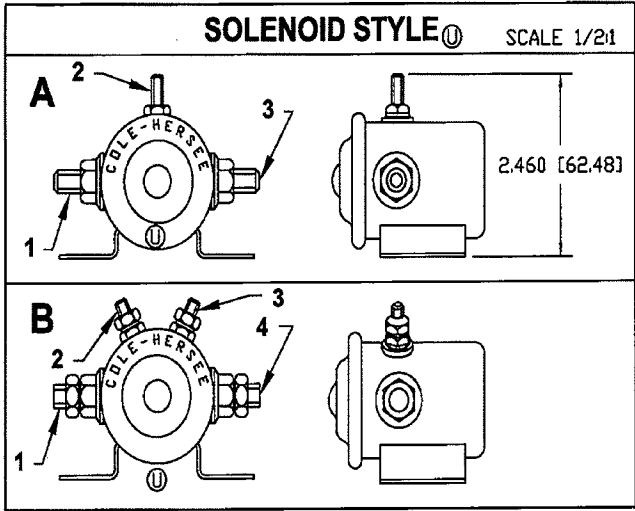
Responsible Engineer: **N/A** Pg. 1 of 5

Cole Hersee Co.
 20 Old Colony Ave., South Boston, MA, 02127
 Phn: 617-268-2100 Web: www.colehersee.com

Description: **SOLENOID**

Drawing/Part No.: **24008** Current Rev.: **V**

Page 1/1



| Revision Control Record | | | | Revision Control Record | | | |
|-------------------------------|-----------------------|---------|------|-------------------------|-----------------------|---------|------|
| Rev. | Description of Change | ECN No. | Date | Rev. | Description of Change | ECN No. | Date |
| SEE PAGE 1 FOR REVISION NOTES | | | | | | | |

Tolerances Unless otherwise specifically noted, the following are default tolerances:
 * 2-place Decimal Dimensions ± 0.02
 * 3-place Decimal Dimensions ± 0.005
 * Angular Dimensions ± 1.0 Deg.
 * Metric: Refer to equivalent English Dimension Tolerance
 >>> NOTE: All tolerances are Non-Cumulative. <<<

Dimensional Units All dimensions are expressed in inches except those shown in brackets (mm) are expressed in millimeters

REC or an Asterisk (*) = Non-Toleranced Reference Dimension, shown for clarification purposes only.

Used On or Ref.: Scale: **1:1**

PROPRIETARY INFORMATION This Engineering Drawing, and the information contained herein, is proprietary to Cole Hersee Company and may not be disclosed, reproduced, or in any other way transmitted or communicated to any other party without the express written consent of an authorized representative of Cole Hersee Company.

DESIGN CONTROL It is the responsibility of the individual using / referencing this drawing to assure that the noted design revision level agrees with the revision level of the Controlled Document (Master Drawing). This is a NON-CONTROLLED DOCUMENT unless otherwise specifically noted.

DO NOT SCALE - Dimensional variation may occur during printing / reproduction.

Drawn: **CF** Date: **4/1/66**

Key for Special Characteristics:

- Critical Characteristics, relating to Safety and/or Regulatory Compliance
- Significant Characteristic relating to Process Control (SPC)
- Control Dimension relating to Form - Fit - Function as defined by Cole Hersee Company and/or the Customer

(Note that the Identification of any Characteristic as being "Special" does not alter the requirement that ALL specified dimensions & tolerances must be met.)

Responsible Engineer: **N/A** Pg. 2 of 5

Cole Hersee Co.
 20 Old Colony Ave., South Boston, MA, 02127
 Phn: 617-268-2100 Web: www.colehersee.com

SOLENOID

Drawing / Part No.: **24008**

Current Rev. **SEE PAGE 1**

| 24063-09 | 24 | 71 | CONTINUOUS | 4 | B | E | INSULATED | FLAT | B | 12 | YES SEE NOTE A | | S4 | ASSEMBLED | A | | |
|----------|------|------|--------------|---------|------------|-----------------|-----------|---------------|------|------|---------------------|--------------|--------------------------|---------------|---------------|-----------------|------------------|
| 24063-08 | 24 | 71 | CONTINUOUS | 4 | B | H | INSULATED | FLAT | B | 12 | | AA | S4 | ASSEMBLED | J | | |
| 24063-06 | 24 | 71 | CONTINUOUS | 4 | B | E | INSULATED | FLAT | B | 12 | | | S4 | ASSEMBLED | E | | |
| 24063-05 | 24 | 71 | CONTINUOUS | 4 | B | E | INSULATED | FLAT | | | | | S4 | ASSEMBLED | | | |
| 24063-04 | 24 | 71 | CONTINUOUS | 4 | B | E | INSULATED | FLAT | A | 13 | YES SEE NOTE A | RR | S4 | ASSEMBLED | A | | |
| 24063-01 | 24 | 71 | CONTINUOUS | 4 | B | E | INSULATED | FLAT | | | YES SEE NOTE B,C | | S4 | ASSEMBLED | B,C ⊕ | | |
| 24063 | 24 | 71 | CONTINUOUS | 4 | B | E | INSULATED | FLAT | | | | | S4 | BAGGED | | | |
| 24060 | 12 | 4.4 | INTERMITTENT | 3 | A | B | INSULATED | FLAT | | | | CS | S2 | ASSEMBLED | K | | |
| 24059-16 | 12 | 17.5 | CONTINUOUS | 4 | B | E | INSULATED | FLAT | | | | | S4 | ASSEMBLED | Ⓛ | | |
| 24059-15 | 12 | 17.5 | CONTINUOUS | 4 | B | E | INSULATED | FLAT | B | 20 | YES SEE NOTE A | | S4 | ASSEMBLED | A,K | | |
| 24059-12 | 12 | 17.5 | CONTINUOUS | 4 | B | E | INSULATED | FLAT | A | 13 | YES SEE NOTE A | | S4 | ASSEMBLED | A | | |
| 24059-10 | 12 | 17.5 | CONTINUOUS | 4 | B | E | INSULATED | FLAT | A | 13 | YES SEE NOTE A | | S4 | ASSEMBLED | A,K | | |
| 24059-09 | 12 | 17.5 | CONTINUOUS | 4 | B | E | INSULATED | FLAT | | | | | S4 | ASSEMBLED | K | | |
| 24059-08 | 12 | 17.5 | CONTINUOUS | 4 | B | G | INSULATED | FLAT | | | | AA | S4 | ASSEMBLED | J | | |
| 24059 | 12 | 17.5 | CONTINUOUS | 4 | B | E | INSULATED | FLAT | | | | | S4 | BAGGED | Ⓛ | | |
| 24055 | 6 | 1.6 | INTERMITTENT | 3 | A | B | INSULATED | FLAT | | | | CS | S2 | ASSEMBLED | K | | |
| 24047-05 | 12 | 4.5 | INTERMITTENT | 4 | B | B | INSULATED | FLAT | | | | | S4 | | D,K | | |
| 24047-03 | 12 | 4.4 | INTERMITTENT | 4 | B | B | INSULATED | FLAT | | | YES SEE NOTE B | | S4 | ASSEMBLED | B,K | | |
| 24047 | 12 | 4.4 | INTERMITTENT | 4 | B | B | INSULATED | FLAT | | | | | S4 | BAGGED | K | | |
| 24046 | 12 | 4.4 | INTERMITTENT | 3 | A | B | INSULATED | FLAT | | | | DS | S3 | ASSEMBLED | K | | |
| 24044 | 12 | 4.4 | INTERMITTENT | 3 | A | B | GROUNDING | CURVED | | | | | S1 | BAGGED | K | | |
| 24043 | 6 | 1.6 | INTERMITTENT | 4 | B | B | INSULATED | FLAT | | | | | S4 | ASSEMBLED | K | | |
| 24041 | 6 | 1.6 | INTERMITTENT | 3 | A | B | GROUNDING | FLAT | | | | | S1 | ASSEMBLED | K | | |
| 24039 | 6 | 1.6 | INTERMITTENT | 3 | A | B | GROUNDING | CURVED | | | | | S1 | Ⓛ BAGGED | K | | |
| 24037-03 | 12 | 4.4 | INTERMITTENT | 3 | A | B | GROUNDING | FLAT | A | 13 | YES SEE NOTE A | | S1 | ASSEMBLED | A,K | | |
| 24037 | 12 | 4.4 | INTERMITTENT | 3 | A | B | GROUNDING | FLAT | | | | | S1 | BAGGED | K | | |
| 24008-02 | 24 | 29 | INTERMITTENT | 4 | B | A | INSULATED | FLAT | B | 19 | YES SEE NOTE B,C | | S4 | ASSEMBLED | B,C,K | | |
| 24008 | 24 | 29 | INTERMITTENT | 4 | B | A | INSULATED | FLAT | | | | | S4 | ASSEMBLED | K | | |
| | | | | | | | | | | | | | | | | | |
| | | | | | | | | | | | | | | | | | |
| PART NO | V DC | OHMS | DUTY CYCLE | # STUDS | SOL. STYLE | CONTACT RATINGS | COIL TYPE | BRACKET STYLE | LOC. | TYPE | INTR. ⊕ | EXTR SEALANT | INTR. ⊕ SEALANT MARKINGS | EXTR MARKINGS | SLNOID SCHEM. | HARDWARE NOTE 5 | ADDITIONAL NOTES |

| Revision Control Record | | | | Revision Control Record | | | | Tolerances | | PROPRIETARY INFORMATION | | Key for Special Characteristics | | Cole Hersee Co. | | |
|-------------------------------|-----------------------|---------|------|-------------------------|-----------------------|---------|------|--|--|-------------------------|---|---------------------------------|--|--|--|--|
| Rev. | Description of Change | ECN No. | Date | Rev. | Description of Change | ECN No. | Date | Unless otherwise specifically noted, the following are default tolerances: | This Engineering Drawing, and the information contained herein, is proprietary to Cole Hersee Company and may not be disclosed, reproduced, or in any other way transferred or communicated to any other party without the express written consent of an authorized representative of Cole Hersee Company. | ⊕ | Critical Characteristic, relating to Safety and/or Regulatory Compliance | Ⓛ | Significant Characteristic relating to Process Control (SPC) | 20 Old Colony Ave., South Boston, MA, 02127 Phn: 617-268-2100 Web: www.colehersee.com | | |
| | | | | | | | | * 2-place Decimal Dimensions +0.02" * 3-place Decimal Dimensions +0.005" * Metric: Refer to equivalent English Dimension Tolerance >>> NOTE: All tolerances are Non-Cumulative. <<< | | Ⓛ | Control Dimension relating to Form - Fit - Function as defined by Cole Hersee Company and/or the Customer | | | SOLENOID Drawing / Part No.: 24008 Responsible Engineer: N/A Pg. 3 of 5 Current Rev. SEE PAGE 1 | | |
| SEE PAGE 1 FOR REVISION NOTES | | | | | | | | Dimensional Units: All dimensions are expressed in inches except those shown in brackets (xxx) are expressed in millimeters | DESIGN CONTROL: It is the responsibility of the individual using / referencing this drawing to assure that the noted design revision level agrees with the revision level of the Controlled Document (Master Drawing). This is a NON-CONTROLLED DOCUMENT unless otherwise specifically noted. | | | | | | | |
| | | | | | | | | "REF." or an Asterisk (*) = Non-Toleranced Reference Dimension, shown for clarification purposes only. | DO NOT SCALE - Dimensional variation may occur during printing / reproduction. | Scale: 1:1 | Drawn By: CF | Date Drawn: 4/1/66 | | | | |

| | | | | | | | | | | | | | | | | | |
|----------|----|------|--------------|------------|---|-------|------------|-----------------|-----------|---------------|--------------------|--------------|---------------|----------------|-----------------|-----------------|------------------|
| 24119-01 | 24 | 29 | INTERMITTENT | 3 | A | A | GROUNDED | CURVED | | | | | S1 | ASSEMBLED | K | | |
| 24119 | 24 | 29 | INTERMITTENT | 3 | A | A | GROUNDED | FLAT | | | | | S1 | ASSEMBLED | K | | |
| 24117-03 | 12 | 17.5 | CONTINUOUS | 4 | B | G | INSULATED | FLAT | B | 20 | | AA | S4 | ASSEMBLED | J | | |
| 24117-01 | 12 | 17.5 | CONTINUOUS | 4 | B | G | INSULATED | FLAT | B | 20 | | AA | S4 | BAGGED | J | | |
| 24117 | 12 | 17.5 | CONTINUOUS | 4 | B | E | INSULATED | FLAT | B | 20 | | | S4 | ASSEMBLED | E | | |
| 24115-01 | 12 | 17.5 | CONTINUOUS | 3 | A | E | INSULATED | CURVED | B | 12 | | CW | S2 | ASSEMBLED | | | |
| 24115 | 12 | 17.5 | CONTINUOUS | 3 | A | E | INSULATED | FLAT | | | | CS | S2 | BAGGED | | | |
| 24107 | 24 | 71 | CONTINUOUS | 3 | A | E | INSULATED | FLAT | | | | CS | S2 | ASSEMBLED | | | |
| 24106-07 | 12 | 17.5 | CONTINUOUS | 3 | A | E | GROUNDED | FLAT | B | 12 | | | S1 | BAGGED | E | | |
| 24106-04 | 12 | 17.5 | CONTINUOUS | 3 | A | E | GROUNDED | FLAT | | | YES SEE NOTE A | | S1 | ASSEMBLED | A | | |
| 24106 | 12 | 17.5 | CONTINUOUS | 3 | A | E | GROUNDED | FLAT | | | | | S1 | BAGGED | | | |
| 24105 | 6 | 4.2 | CONTINUOUS | 3 | A | E | GROUNDED | FLAT | | | | | S1 | ASSEMBLED | | | |
| 24104 | 24 | 29 | INTERMITTENT | 3 | A | A | INSULATED | FLAT | | | | CS | S2 | ASSEMBLED | K | | |
| 24103 | 12 | 4.4 | INTERMITTENT | 4 | B | B | INSULATED | FLAT | | | | BB | S5 | ASSEMBLED | G,K | | |
| 24097 | 6 | 4.2 | CONTINUOUS | 4 | B | E | INSULATED | FLAT | | | | | S4 | ASSEMBLED | | | |
| 24082 | 12 | 17.5 | CONTINUOUS | 3 | A | E | GROUNDED | CURVED | | | | | S1 | BAGGED | | | |
| 24080-01 | 36 | 130 | CONTINUOUS | 4 | B | J | INSULATED | FLAT | | | | AA | S4 | ASSEMBLED | J | | |
| 24080 | 36 | 130 | CONTINUOUS | 4 | B | E | INSULATED | FLAT | | | | | S4 | ASSEMBLED | | | |
| 24077 | 12 | 4.4 | INTERMITTENT | 3 | A | B | INSULATED | FLAT | B | 19 | | DS | S3 | ASSEMBLED | K | | |
| 24076 | 12 | 4.4 | INTERMITTENT | 4 | B | B | INSULATED | FLAT | B | 19 | | | S4 | ASSEMBLED | K | | |
| 24075 | 6 | 1.6 | INTERMITTENT | 4 | B | B | INSULATED | FLAT | B | 19 | | | S4 | ASSEMBLED | K | | |
| 24071-02 | 12 | 4.4 | INTERMITTENT | 3 | A | B | GROUNDED | CURVED | B | 19 | | | S1 | ASSEMBLED | K | | |
| 24071-01 | 12 | 4.4 | INTERMITTENT | 3 | A | B | GROUNDED | FLAT | B | 12 | | | S1 | ASSEMBLED | E,K | | |
| 24071 | 12 | 4.4 | INTERMITTENT | 3 | A | B | GROUNDED | FLAT | B | 19 | | | S1 | ASSEMBLED | K | | |
| PART NO | V | DC | OHMS | DUTY CYCLE | # | STUDS | SOL. STYLE | CONTACT RATINGS | COIL TYPE | BRACKET STYLE | LOC. EXTR. SEALANT | TYPE SEALANT | INTR. SEALANT | EXTR. MARKINGS | S/N NOID SCHEM. | HARDWARE NOTE 5 | ADDITIONAL NOTES |

| | | | | | | | | | | | | | | | | | | |
|---|--|--|---|--|----------------------------|---|----------------------------------|---|---|---|-------------------|---|------------------------|---|---------------------|---------------------------------------|--------------------------|--|
| Revision Control Record | | | Revision Control Record | | | <p><small>Tolerances - Unless otherwise specifically noted, the following are default tolerances:</small></p> <ul style="list-style-type: none"> * 2-place Decimal Dimensions +/- .02" * 3-place Decimal Dimensions +/- .005" * Angular Dimensions +/- 1.0 Deg. * Metric - Refer to equivalent English Dimension Tolerance >>> NOTE: All tolerances are Non-Cumulative. <<< <p><small>Dimensional Units - All dimensions are expressed in inches except those shown in brackets [mm] are expressed in millimeters</small></p> <p><small>*REF. or an Asterisk (*) - Non-Tolerance Reference Dimension, shown for clarification purposes only.</small></p> | | <p><small>PROPRIETARY INFORMATION - This Engineering Drawing, and the information contained herein, is proprietary to Cole Hersee Company and may not be disclosed, re-produced, or in any other way transferred or communicated to any other party without the express written consent of an authorized representative of Cole Hersee Company.</small></p> <p><small>DESIGN CONTROL - It is the responsibility of the individual using / reviewing this drawing to ensure that the noted design revision level agrees with the revision level of the Controlled Document (Master Drawing). This is a NON-CONTROLLED DOCUMENT unless otherwise specifically noted.</small></p> <p><small>DO NOT SCALE - Dimensional variation may occur during printing / reproduction.</small></p> | | <p><small>Key for Special Characteristics:</small></p> <ul style="list-style-type: none"> Critical Characteristic, relating to Safety and/or Regulatory Compliance Significant Characteristic relating to Process Control (SPC) Control Dimension relating to Form - Fit - Function as defined by Cole Hersee Company and/or its Customer <p><small>(Note that the Identification of any Characteristics as being "Special" does not alter the requirement that ALL specified dimensions & tolerances must be met.)</small></p> | | <p>Cole Hersee Co. 20 Old Colony Ave., South Boston, MA, 02127 Phn: 617-268-2100 Web: www.colehersee.com</p> <p>Description: SOLENOID</p> | | <p>Drawing / Part No.: 24008</p> | | <p>Current Rev. SEE PAGE 1</p> | | |
| <p>SEE PAGE 1 FOR REVISION NOTES</p> | | | <p>Used On or Ref.: Scale: 1:1</p> | | <p>Drawn By: CF</p> | | <p>Date Drawn: 4/1/66</p> | | <p>Responsible Engineer: N/A</p> | | <p>Pg. 4 of 5</p> | | <p>SOLENOID</p> | | <p>24008</p> | | <p>SEE PAGE 1</p> | |

| | | | | | | | | | | | | | | | | |
|----------|------|------|--------------|---|-------|------------|-----------------|-----------|---------------|------------|-------------------|---------------|----------------|---------------|-----------------|------------------|
| M 202 | 12 | 4.4 | INTERMITTENT | 3 | A | B | GROUND | FLAT | | | | | S1 | ASSEMBLED | K | |
| M 200-01 | 12 | 4.4 | INTERMITTENT | 4 | B | F | INSULATED | FLAT | | | AA | | S4 | ASSEMBLED | J,K | |
| M 200 | 12 | 4.4 | INTERMITTENT | 4 | B | B | INSULATED | FLAT | | | | | S4 | ASSEMBLED | K | |
| 24144 | 24 | 71 | CONTINUOUS | 4 | B | C | INSULATED | FLAT | | | | | S4 | ASSEMBLED | E,H | |
| 24143-03 | 12 | 17.5 | CONTINUOUS | 4 | B | D | INSULATED | FLAT | B | 12 | | | S4 | BAGGED | E,H | |
| 24143-02 | 36 | 130 | CONTINUOUS | 4 | B | K | INSULATED | FLAT | | | | | S4 | ASSEMBLED | E,H | |
| 24143-01 | 12 | 17.5 | CONTINUOUS | 4 | B | D | INSULATED | FLAT | A | 13 | YES SEE NOTE A | | S4 | ASSEMBLED | A,E,H | |
| 24143 | 12 | 17.5 | CONTINUOUS | 4 | B | D | INSULATED | FLAT | | | | | S4 | BAGGED | E,H | |
| 24141 | 24 | 29 | INTERMITTENT | 4 | B | A | INSULATED | FLAT | A | 13 | YES SEE NOTE A | BL | S4 | ASSEMBLED | A,K | |
| 24140 | 12 | 17.5 | CONTINUOUS | 4 | B | E | INSULATED | FLAT | | | | BB | S5 | ASSEMBLED | G | |
| 24135-01 | 36 | 130 | CONTINUOUS | 4 | B | J | INSULATED | FLAT | B | 20 | | AA | S4 | ASSEMBLED | J | |
| 24135 | 36 | 130 | CONTINUOUS | 4 | B | E | INSULATED | FLAT | B | 20 | | | S4 | ASSEMBLED | | |
| 24129 | 12 | 4.4 | INTERMITTENT | 4 | B | B | INSULATED | FLAT | B | 12 | YES SEE NOTE B | | S4 | ASSEMBLED | B,K | |
| 24124 | 24 | 71 | CONTINUOUS | 3 | A | E | GROUND | FLAT | | | | | S1 | BAGGED | E | |
| PART NO | V DC | OHMS | DUTY CYCLE | # | STUDS | SOL. STYLE | CONTACT RATINGS | COIL TYPE | BRACKET STYLE | LOC. EXTR. | TYPE SEALANT | INTR. SEALANT | EXTR. MARKINGS | SLNOID SCHEM. | HARDWARE NOTE 5 | ADDITIONAL NOTES |

SEE PAGE 1 FOR REVISION NOTES

Revision Control Record

Revision Control Record

Tolerances: Unless otherwise specifically noted, the following are default tolerances:
 * 2-place Decimal Dimensions +/- .02"
 * 3-place Decimal Dimensions +/- .005"
 * Angular Dimensions +/- 1.0 Deg.
 * Helix: Refer to equivalent English Dimension Tolerance
 >>> NOTE: All tolerances are Non-Cumulative <<<
Dimensional Units: All dimensions are expressed in inches except those shown in brackets (xxx) are expressed in millimeters
"REF." or an Asterisk (*) = Non-Tolerance Reference Dimension, shown for clarification purposes only.

PROPRIETARY INFORMATION: This Engineering Drawing, and the information contained herein, is proprietary to Cole Hersee Company and may not be disclosed, re-produced, or in any other way transferred or communicated to any other party without the express written consent of an authorized representative of Cole Hersee Company.
DESIGN CONTROL: It is the responsibility of the individual using / referencing this drawing to ensure that the noted design revision level agrees with the revision level of the Controlled Document (Master Drawing). This is a NON-CONTROLLED DOCUMENT unless otherwise specifically noted.
DO NOT SCALE: Dimensional variation may occur during printing / reproduction.

Key for Special Characteristics:
 [Symbol] Critical Characteristic, relating to Safety and/or Regulatory Compliance
 [Symbol] Significant Characteristic relating to Process Control (SPC)
 [Symbol] Control Dimension relating to Form - Fit - Function as defined by Cole Hersee Company and/or the Customer.
 (Note that the identification of any Characteristics as being "Special" does not alter the requirement that ALL specified dimensions & tolerances must be met.)

Cole Hersee Co.
 20 Old Colony Ave., South Boston, MA, 02127
 Pnn: 617-268-2100 Web: www.colehersee.com

Description:
SOLENOID

Drawing / Part No: 24008
Current Rev: SEE PAGE 1

Used On or Ref.: Scale: **1:1** Drawn By: **CF** Date Drawn: **4/1/66** Responsible Engineer: **N/A** Pg. 5 of 5