

2500 Series 0.100" Center Terminal Housing; Polarized; Rails

Material:

Contact: Brass
Contact Plating: Tin over Nickel Underplating
Insulator: Nylon 66; rated UL94V-O
Mating Connector: 2506, 2507 Series
AWG: 22 ~ 28 AWG

Electrical:

Current Rating: 1 Amp Max.
Contact Resistance: 30 Milliohms. Max.
Insulation Resistance: 1000 Megohms Min. DC 500V
Dielectric Strength: 500V AC
Operation Temperature: -25°C to +85°C

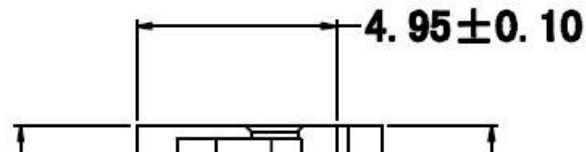
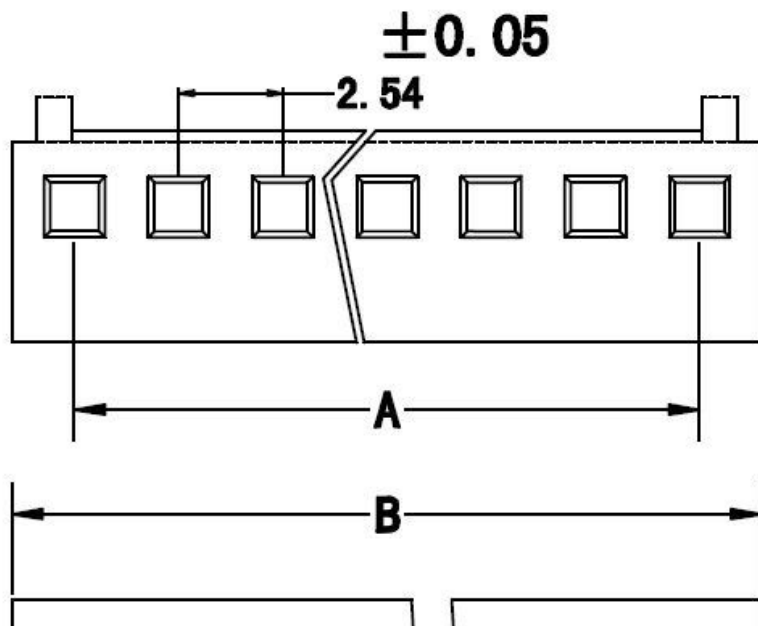


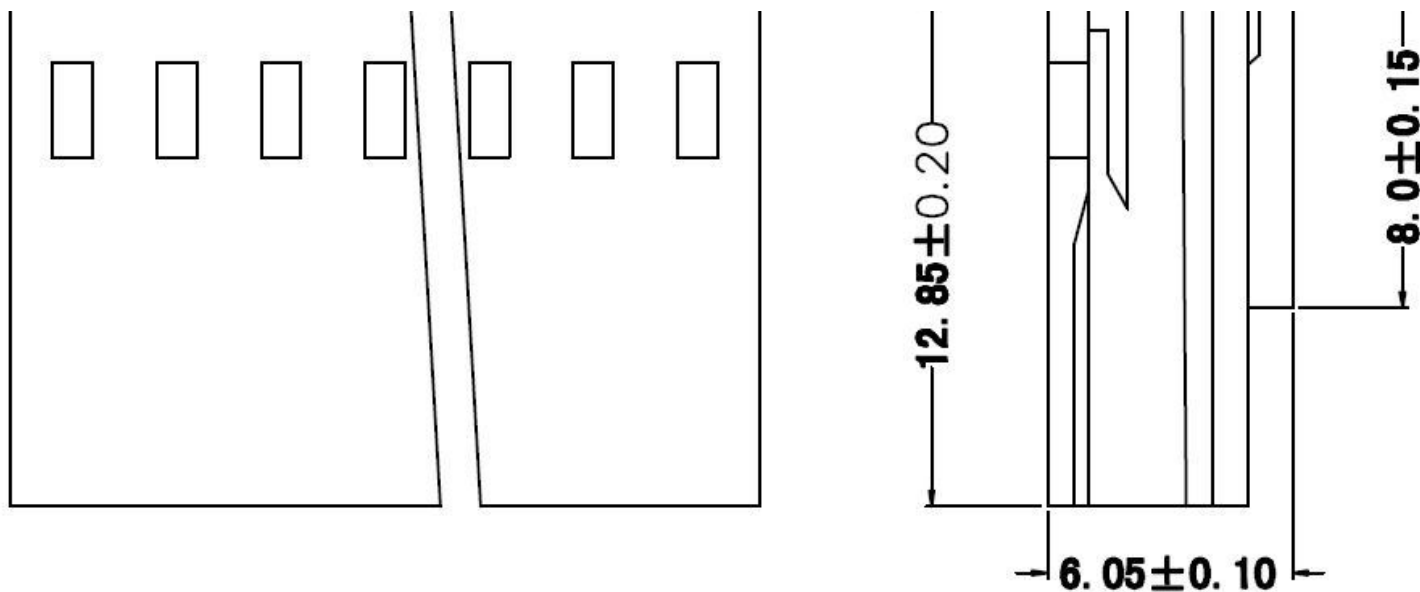
Ordering Part Number

2500 -	XX	X
Series Number	Number of Positions [2 thru 20 pins]	Housing Color Blank: White B: Black

Terminal Contacts Part Number: 2500-10T (Tin plating)

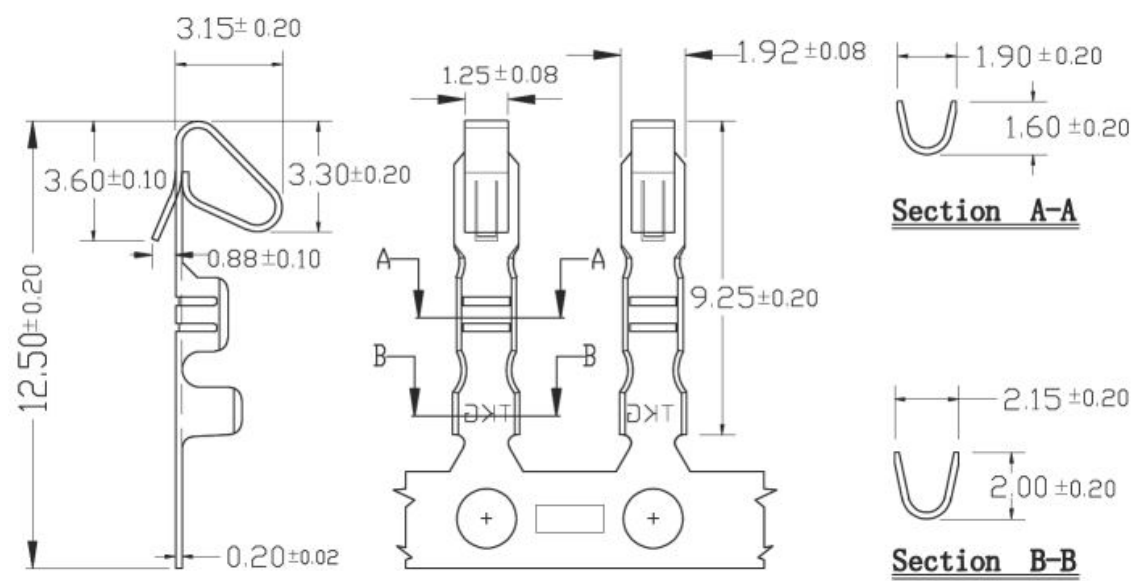
Quantity per reel: 10000 pcs





Dimensional and Ordering Information:

Circuits	Part No	Dimension (mm)		
		A	B	
2	2500-02	2.54	5.62	±0.15
3	2500-03	5.08	8.16	
4	2500-04	7.62	10.70	
5	2500-05	10.16	13.24	±0.20
6	2500-06	12.70	15.78	
7	2500-07	15.24	18.32	
8	2500-08	17.78	20.86	±0.25
9	2500-09	20.32	23.40	
10	2500-10	22.86	25.94	
11	2500-11	25.40	28.48	
12	2500-12	27.94	31.02	
13	2500-13	30.48	33.56	±0.30
14	2500-14	33.02	36.10	
15	2500-15	35.56	38.64	
16	2500-16	38.10	41.18	



[Main Menu](#) | [Online Catalog](#) | [Local Rep](#) | [Distribution](#) | [News](#) | [Company](#) | [Contact Us](#)

Last Update: March 16, 2016

Copyright © 1996-2016 Ho Chien Electronics Group Inc.