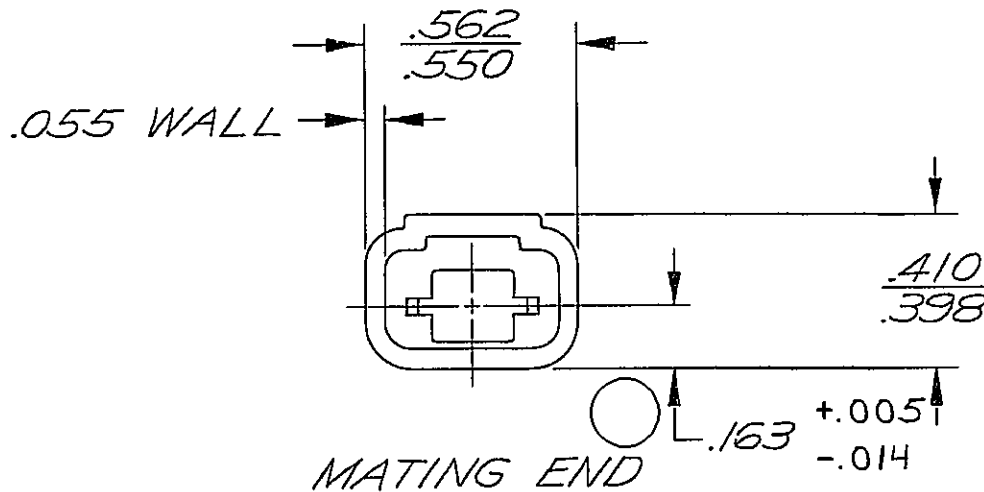
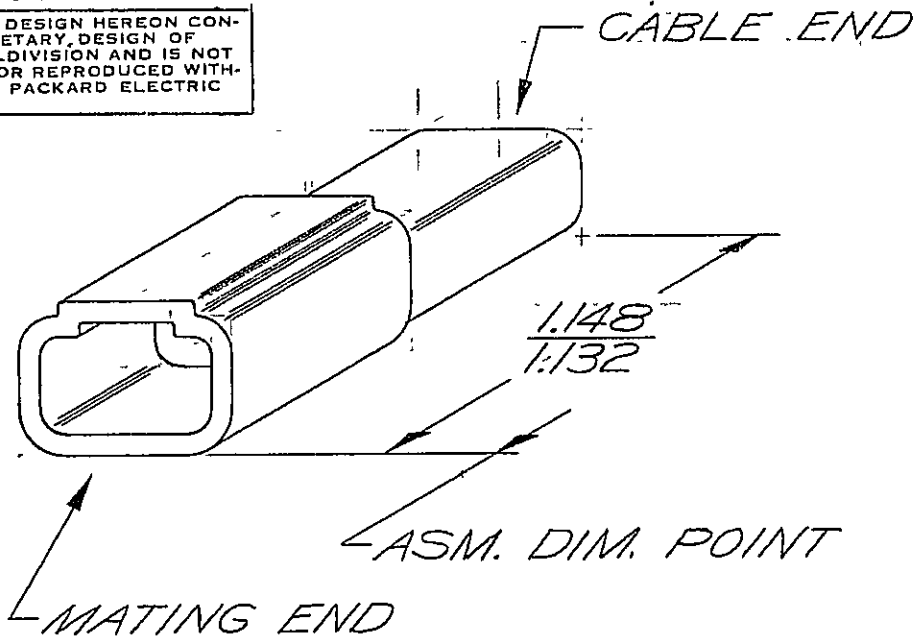


DO NOT SCALE

THIS DRAWING AND DESIGN HEREON CONSTITUTES A PROPRIETARY DESIGN OF PACKARD ELECTRIC DIVISION AND IS NOT TO BE DUPLICATED OR REPRODUCED WITHOUT AUTHORITY OF PACKARD ELECTRIC DIVISION.



C02D1492

NOTES — MATING CONN. - 2962448 - REF.

MATERIAL RECYCLING CODE PER ISO 11469. (.040)X(.004) RAISED CHARACTERS AS SHOWN TO BE LOCATED ON ANY EXTERIOR SURFACE. OPTIONAL CONSTRUCTION TO BE NO MATERIAL RECYCLING CODE

(.039)X(.0039) RAISED DELPHI CORPORATE BRAND TO BE LOCATED ON ANY EXTERIOR SURFACE, PREFERABLY VISIBLE AT FINAL ASSEMBLY. OPTIONAL CONSTRUCTION TO BE "PED" OR NO LOGO.

PART NO.

2962984

DATE	SYM	REVISION RECORD	C/N NO.
6-10-66	A	OUTLINE DWG. ISSUED	24435
		TO SUPPLEMENT "B"	
		SIZE DETAIL DWG.	
4-27-73	C	MAT'L SPEC REVISED	49146
14DE05	H1	MAT'L SPEC WAS R0067662	
		AND ADDED DELPHI LOGO &	
		RECYCLING NOTES	275703
14DE05	H2	.163 +.005/-.014 WAS .163	275734

CODE NO. 6900

TOLERANCE UNLESS OTHERWISE SPECIFIED
DECIMAL ± .005
FRACTIONAL ±
ANGULAR ±

DWG. DATE 6-10-66

SCALE NONE

DR. M. CHUPAK

ROUTING DEPT. OUTST.

CK. D. Shroy 6-14-66
APPR.

REFERENCE

APPR.

2962984 "C" SIZE

APPR. Lubert 6-14
CODE NO.

MATERIAL SPEC.

M0592002 ABS HI IM NAT

NAME

CONN. BODY - '56 SERIES
1 MALE TERMINAL

PART NO.

2962984
OUTLINE DWG.

SIZE

A

PACKARD ELECTRIC DIVISION

GENERAL MOTORS CORPORATION

WARREN, OHIO