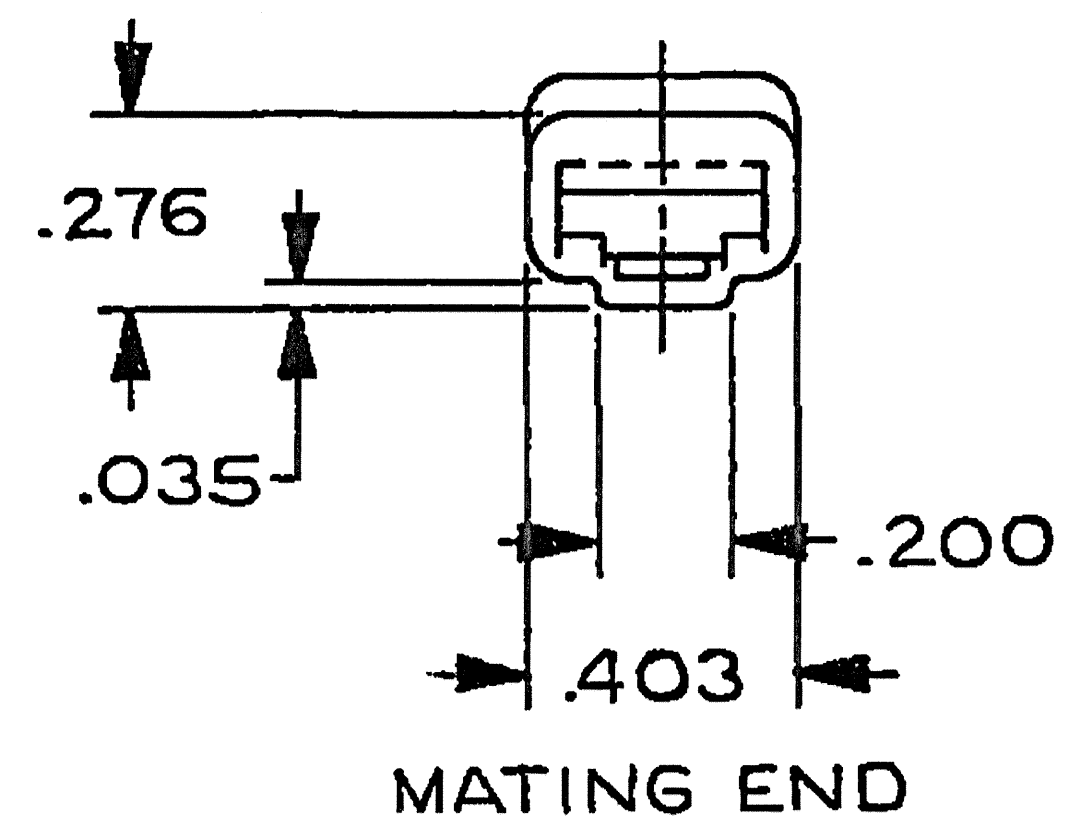
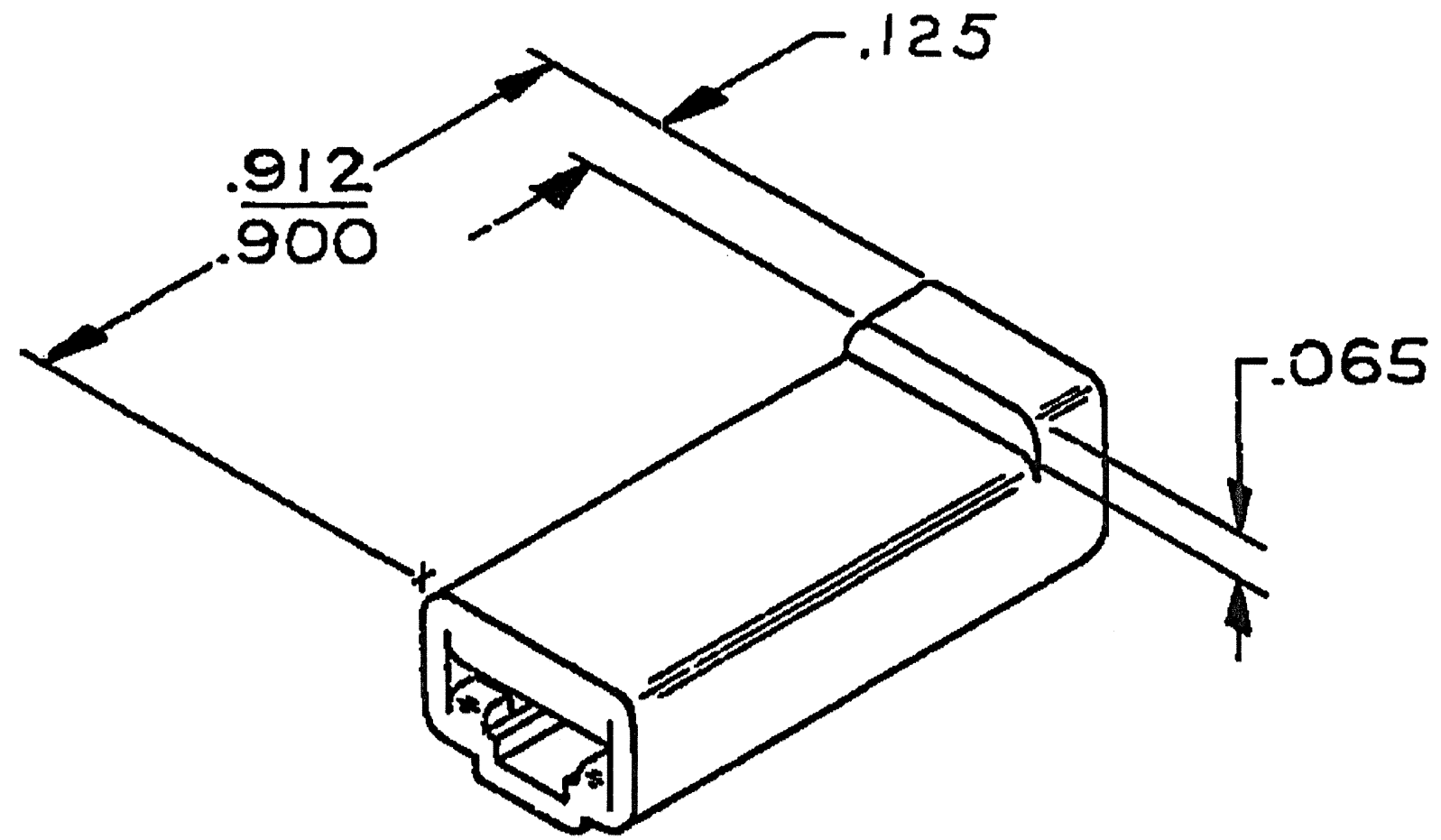


DWG STATUS					ZONE	REVISION HISTORY	AUTH	DR	APVD	APVD
DATE	STG	REV	N/P	CHG						
13DE04	R	08	-	-		TAXI CREATED, ALL PARTS WERE ON SEPARATE PD'S	261882	MJM	MJM	ET



NOTES

- UNLESS OTHERWISE SPECIFIED AND/OR INDICATED:
DIMENSIONS ARE TO FACE OF VIEW SHOWN.
- MATERIAL RECYCLING CODE PER SAE J1344. (2.3)X(0.1) RAISED CHARACTERS AS SHOWN TO BE LOCATED ON ANY EXTERIOR SURFACE. OPTIONAL CONSTRUCTION TO BE NO MATERIAL RECYCLING CODE.
- (2.3)X(0.1) RAISED DELPHI CORPORATE BRAND TO BE LOCATED ON ANY EXTERIOR SURFACE, PREFERABLY VISIBLE AT FINAL ASSEMBLY. OPTIONAL CONSTRUCTION TO BE "PED" OR NO LOGO.

DWG TYPE		PART DRAWING	
STYLE			
VOLUME (CM ³)	DISTR CODE		
	D		
UNLESS OTHERWISE SPECIFIED			
THIS DOCUMENT IS IN ACCORDANCE WITH ASME Y14.5M-1994 AS AMENDED BY THE GM GLOBAL DIMENSIONING AND TOLERANCING ADDENDUM - 1997. ALL GEOMETRIC TOLERANCES AND RELATED DATUMS APPLY RFS. RULE #1 (PERFECT FORM AT MMC) DOES NOT APPLY WHEN RELATIONSHIP BETWEEN FEATURES IS ESTABLISHED BY ORIENTATION OR LOCATION TOLERANCES. SEPARATE POSITION CALLOUTS MAY BE GAGED SEPARATELY, REGARDLESS OF DATUM REFERENCE. ALL DIMENSIONS ARE IN INCHES			
REFERENCE			

DELPHI

DELPHI PACKARD ELECTRIC SYSTEMS
WARREN, OH

		DATE
DR		
APVD1	M. MAYER	13DE04
APVD2	M. MAYER	13DE04
APVD3	ERIC TRACEY	14DE04
APVD4		
APVD5		

SUBSTANCES OF CONCERN AND RECYCLED
CONTENT PER DELPHI 10949001

MATERIAL
SEE CHART

DRAWING NAME
TAXI CONN 58

DRAWING NUMBER
08905968

SIZE	SCALE	FRAME NO	SHEET NO	STG	REV	N/P
A2	N/A	1 OF 1	1 OF 1	R	08	-

PART NO	REV	N/P	STATUS	MATERIAL SPECIFICATION AND COLOR
08905967	H4	-	OBSOLETE	R0071769 IM-HS NYLON 6,6 (LT GRA)
02965478	09	-	-	M2097010 PP IM BRN

TOLERANCE UNLESS OTHERWISE SPECIFIED

DECIMAL: ANGULAR ±2°
TWO PLACE ±.01
THREE PLACE ±.005

THIRD ANGLE PROJECTION

DO NOT SCALE

USE MATH DATA

User: cz10wg Part: 08905968-CUS01-S01 Date: 13-Dec-04 Time: 10:34 Message: "