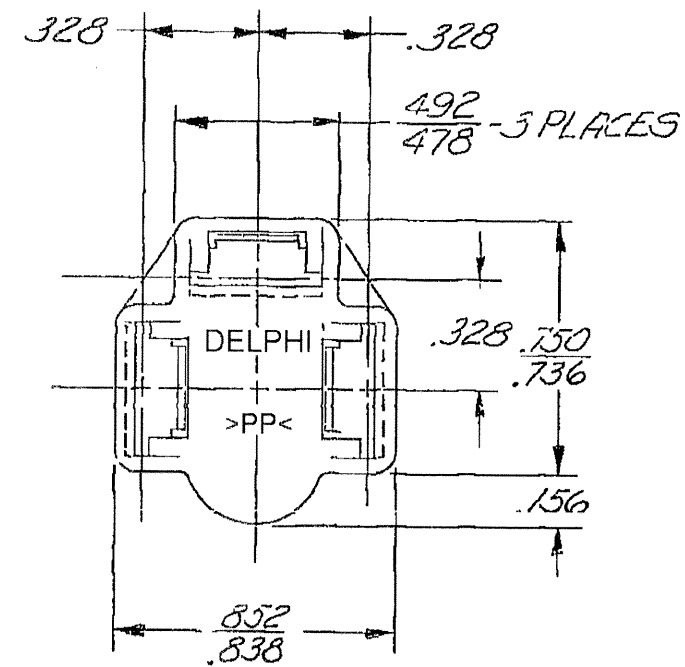
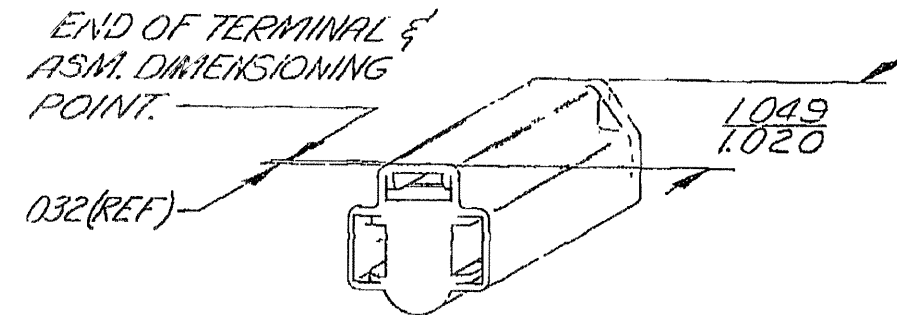


DWG STATUS					ZONE	REVISION HISTORY	AUTH	DR	APVD 1	APVD 2
DATE	STG	REV	N/P	CHG						
190C62		-				OUTLINE DWG ISSUED TO SUPPLEMENT "C" SIZE DETAIL DWG	9945			
08AP70		-				1.049/1.035 WAS 1.047/1.033	38987			
27SE73		-				CODE "6901" ADDED	50970			
25MR76		-				"PED" ADDED	58169			
13SE76		-				1.049/1.020 WAS 1.049/1.035	60194			
10DE02		D1				MAT'L SPEC WAS R-67550 AND ADDED DELPHI LOGO & RECYCLING CODE	228061	AA	AA	
130C04	R	05	-	-		MATERIAL WAS M0661002 PP BLK	258246	MJM	MJM	ET



NOTES

1. MATERIAL RECYCLING CODE PER SAE J1344. (.1)X(.01) RAISED CHARACTERS AS SHOWN TO BE LOCATED ON ANY EXTERIOR SURFACE. OPTIONAL CONSTRUCTION TO BE NO MATERIAL RECYCLING CODE.
2. (.1)X(.01) RAISED DELPHI CORPORATE BRAND TO BE LOCATED ON ANY EXTERIOR SURFACE, PREFERABLY VISIBLE AT FINAL ASSEMBLY. OPTIONAL CONSTRUCTION TO BE "PED" OR NO LOGO.
3. MATES WITH 5/16 BLADE ON HEADLAMP OR FLASHER CAN (REF).

DWG TYPE		PART DRAWING	
STYLE			
VOLUME (CM ³)	DISTR CODE		
	D		
UNLESS OTHERWISE SPECIFIED			
THIS DOCUMENT IS IN ACCORDANCE WITH ASME Y14.5M-1994 AS AMENDED BY THE GM GLOBAL DIMENSIONING AND TOLERANCING ADDENDUM - 1997. ALL GEOMETRIC TOLERANCES AND RELATED DATUMS APPLY RFS. RULE #1 (PERFECT FORM AT MMC) DOES NOT APPLY WHEN RELATIONSHIP BETWEEN FEATURES IS ESTABLISHED BY ORIENTATION OR LOCATION TOLERANCES. SEPARATE POSITION CALLOUTS MAY BE GAGED SEPARATELY, REGARDLESS OF DATUM REFERENCE.			
ALL DIMENSIONS ARE IN INCHES			
REFERENCE			
THIRD ANGLE PROJECTION		DO NOT SCALE	
USE MATH DATA			

TOLERANCE UNLESS OTHERWISE SPECIFIED
 DECIMAL: ANGULAR ±2°
 TWO PLACE ±.01
 THREE PLACE ±.005

DELPHI					
DELPHI PACKARD ELECTRIC SYSTEMS WARREN, OH					
DR B. WILSON					DATE
APVD1 LISH					12N062
APVD2 MAROS					20N062
APVD3 B. EDWARDS					21N062
APVD4					
APVD5					
SUBSTANCES OF CONCERN AND RECYCLED CONTENT PER DELPHI 10949001					
MATERIAL M2097001 PP 1M BLK					
DRAWING NAME CONN 3 F 59 BLK					
DRAWING NUMBER 02965810					
SIZE	SCALE	FRAME NO	SHEET NO	STG	REV
A2	NTS	1 OF 1	1 OF 1	R	05

02965810-CUS01-S01 Date: 13-Oct-04 Time: 16:10
 13649: