
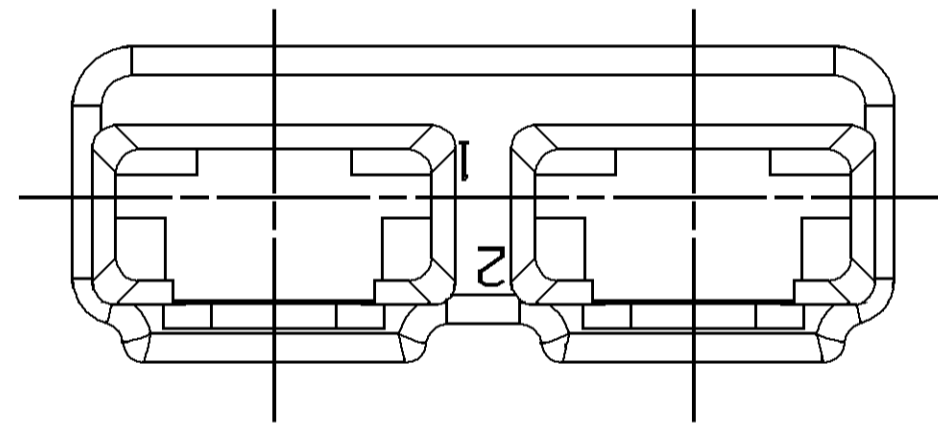
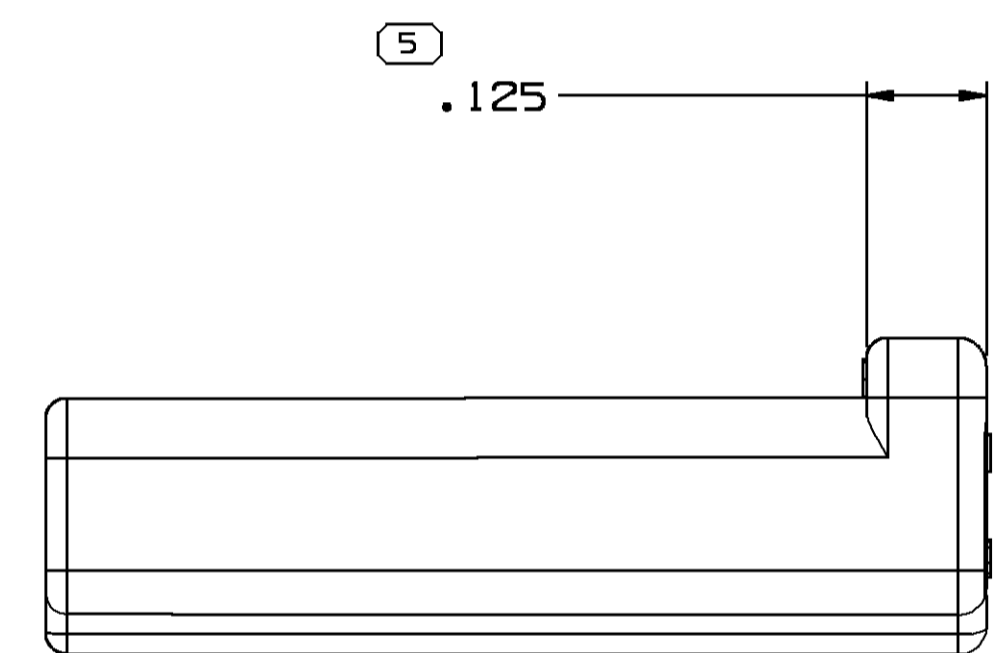
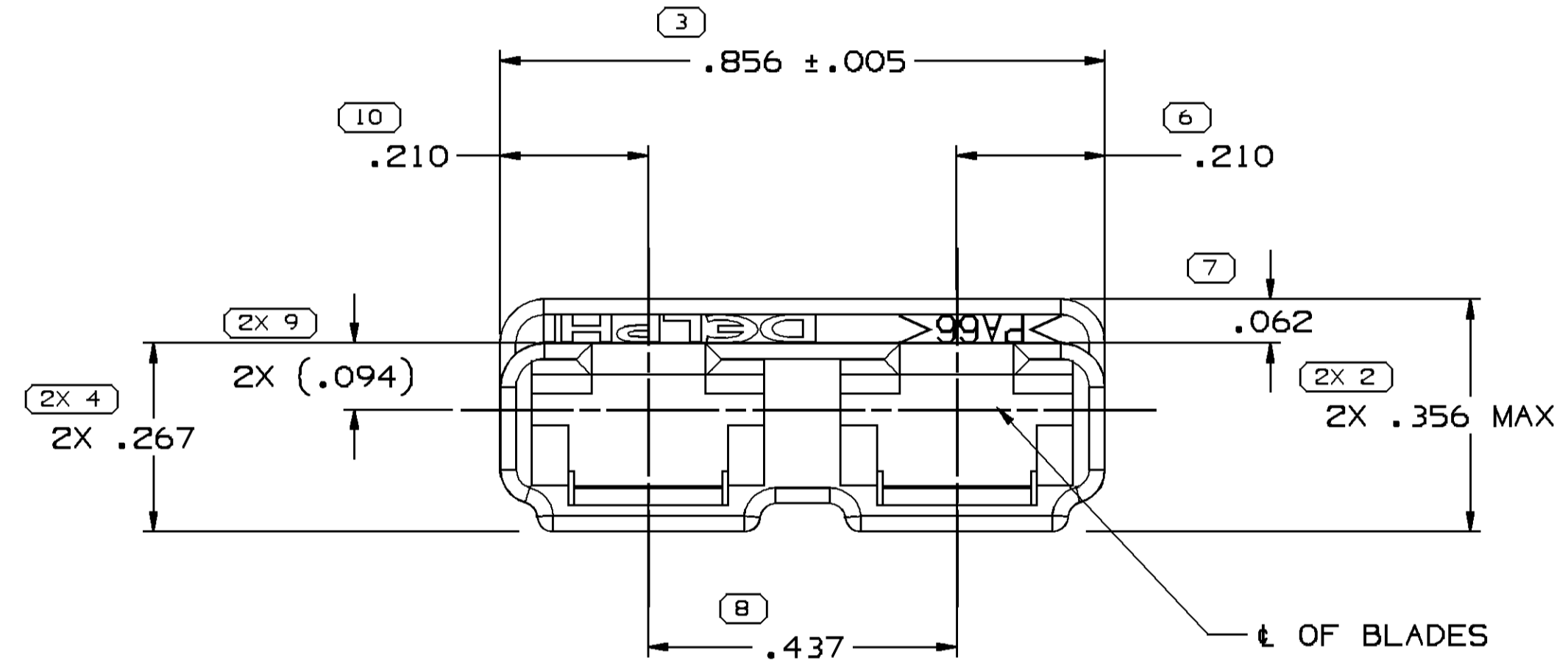
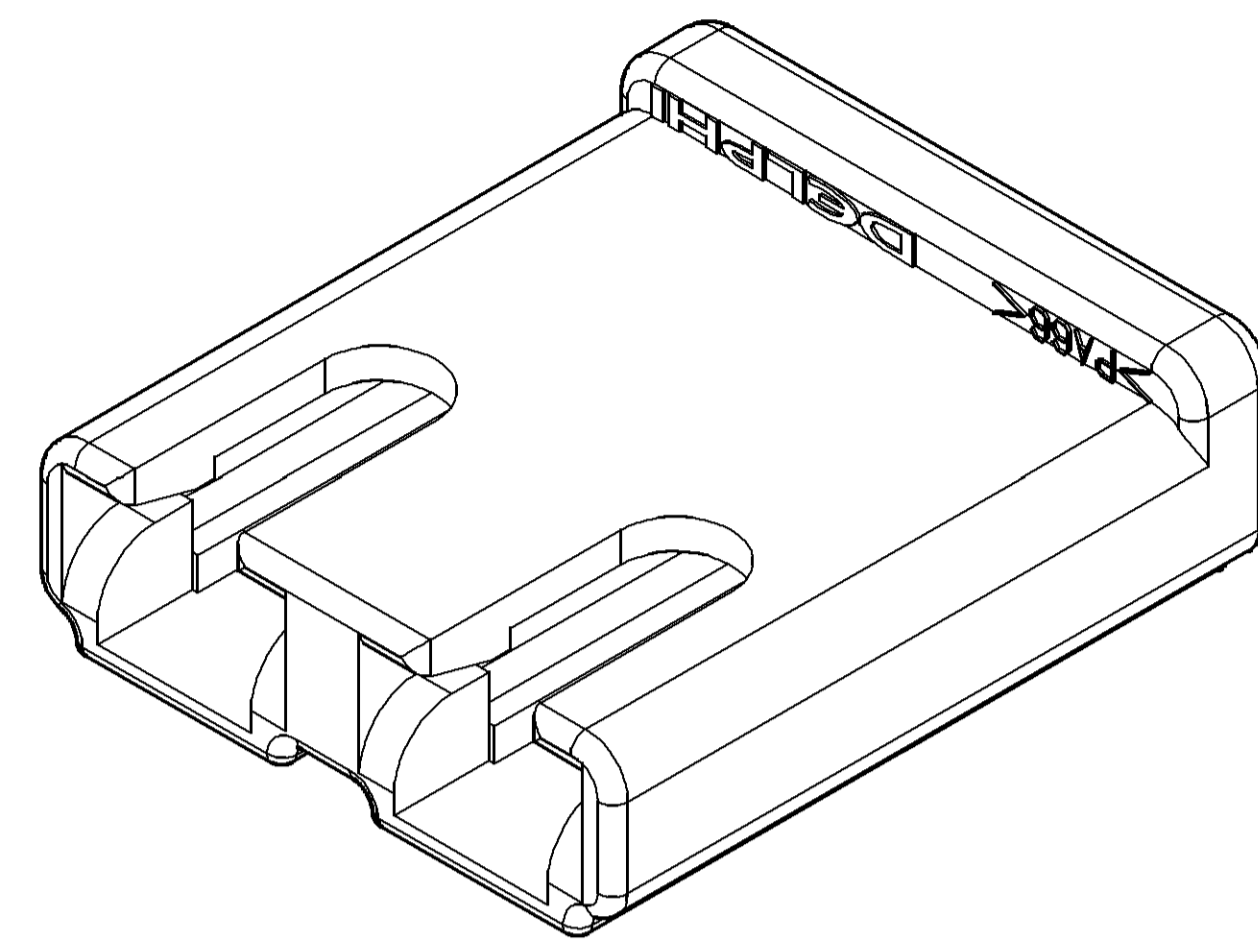
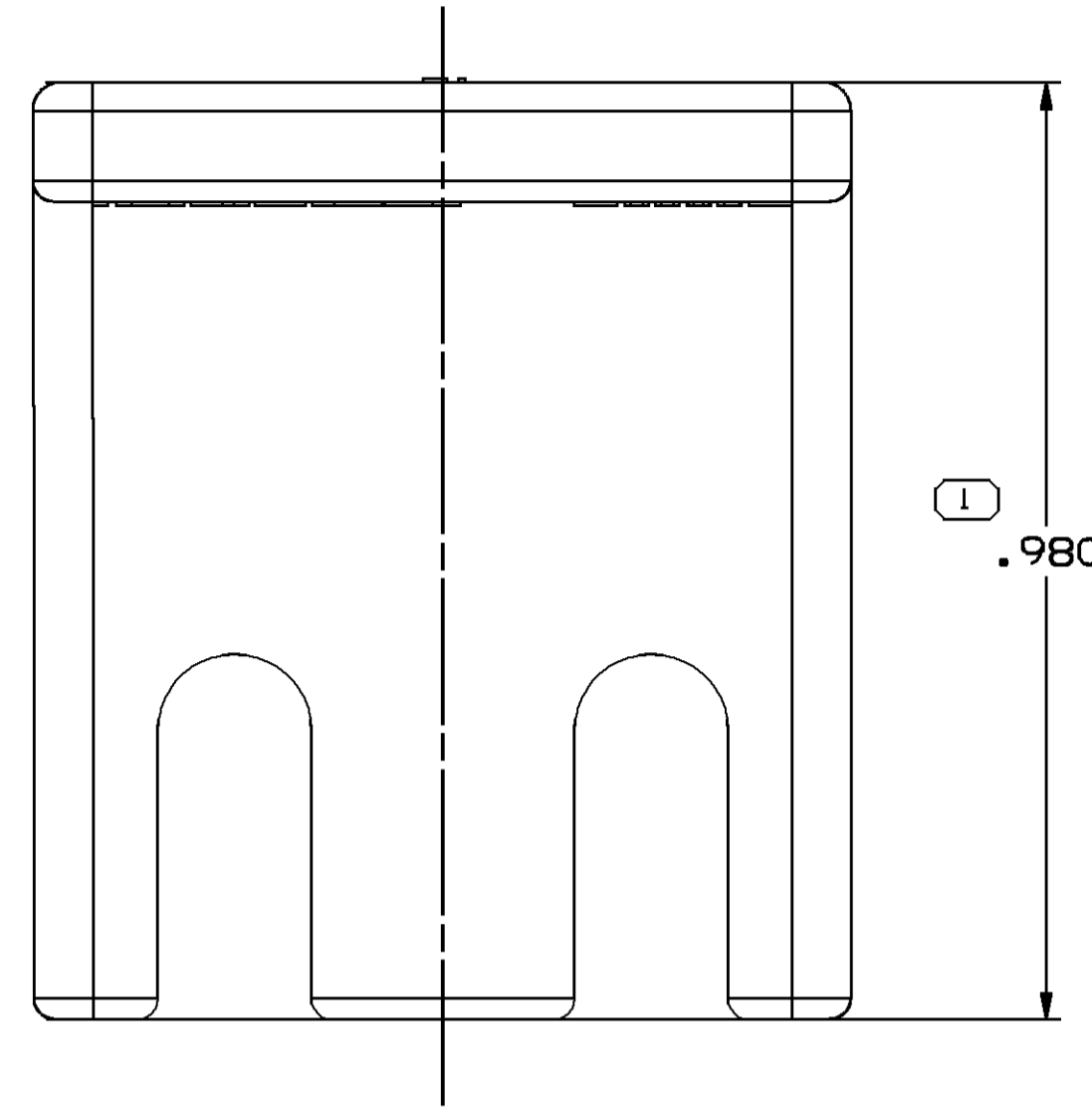


SYMBOL DEFINITION		MISSING SYMBOLS	
A DIMENSION WITHOUT AN INSPECTION REPORT SYMBOL  DOES NOT REQUIRE INSPECTION. IT MAY BE CONTROLLED ON THE INDIVIDUAL COMPONENT DRAWING.	TOTAL NO OF INSPECTIONS REQUIRED	NO MISSING SYMBOL NUMBER	13
	LAST NO. USED		10

DWG STATUS				REVISION HISTORY				AUTH	DR	APVD1	APVD2
DATE	STG	REV	N/P	CHG	ZONE						
15JA02	R	01	-	-		02962679, 02973407, AND 12047833 - PA66 WAS PA6 & PD WAS CREATED		218825	HH	EOV	AL
26FE02	R	02	-	-		02962679 & 02973407 - REVISED MAT'L SPEC		221746	RH	RH	AL
05AP04	R	03	-	-		ALL ACTIVE PARTS - ADDED NOTE #5		253804	TLD	TLD	MR
17NO04	R	04	-	-		02962679 - MATERIAL WAS M0661001, 02973407 - MATERIAL WAS M0661002		261375	MJM	MJM	ET
27JL10	R	05	-	-		ALL ACTIVE PARTS - ADDED CAVITY ID NOTE & CAVITY IDENTIFICATION SYMBOLS		411452	JEG	JAA	RRR
21DE12	R	06	-	-		ALL ACTIVE PARTS - WERE REDRAWN		420793	AHY	AHY	DGL



NOTES

- UNLESS OTHERWISE SPECIFIED AND/OR INDICATED:
DIMENSIONS ARE TO FACE OF VIEW SHOWN AND AUTOMATICALLY ROUNDED BY COMPUTER FOR INSPECTION (SEE MATH MODEL FOR PRECISE DIMENSIONS). FOR ALL OTHER DIMENSIONS NOT SHOWN BUT REQUIRED FOR TOOL BUILD, SEE MATH MODEL FOR PRECISE TOOL PATH DATA.
- MATERIAL RECYCLING CODE PER ISO 11469. (0.090)X(0.004) CHARACTERS AS SHOWN TO BE LOCATED ON ANY EXTERIOR SURFACE. OPTIONAL CONSTRUCTION TO BE NO MATERIAL RECYCLING CODE.
- THIS PRODUCT IS NOT CATEGORIZED AS AN APPEARANCE ITEM, MINOR IMPERFECTIONS INCLUDING, BUT NOT LIMITED TO, FLOW MARKS, COLOR BLEMISHES, GATE VESTIGE, AND SOFT FLASH THAT DO NOT AFFECT THE FIT, FORM, OR FUNCTION OF THE PART ARE PERMISSIBLE PER DPNP-4.7-CS-01.
- (0.090)X(0.004) DELPHI CORPORATE BRAND TO BE LOCATED ON ANY EXTERIOR SURFACE, PREFERABLY VISIBLE AT FINAL ASSEMBLY. OPTIONAL CONSTRUCTION FOR EXISTING TOOLING MAY BE "PED". OPTIONAL CONSTRUCTION TO BE "PED" OR NO LOGO.
- FOR APPLICATION DATA SEE THE INDIVIDUAL APPLICATION DRAWINGS.
- CAVITY IDENTIFICATION IS NOT ON PARTS, IT IS JUST SHOWN AS REFERENCE.

PART NO	REV	N/P	MATERIAL SPECIFICATION AND COLOR	REMARKS
12047833	13	AC	POLYAMIDE COMPOUND GRAY	-
08905701	M2	-	POLYAMIDE COMPOUND CREAM	-
02973407	15	AB	POLYPROPYLENE COMPOUND BLACK	-
02965995	M	-	ABS COMPOUND BLACK	-
02965204	M	-	POLYPROPYLENE COMPOUND NATURAL	-
02965203	M	-	POLYPROPYLENE COMPOUND YELLOW	-
02962679	15	AB	POLYPROPYLENE COMPOUND NATURAL	-

LINE DRAWN THROUGH A PART NUMBER INDICATES THAT PHYSICAL PARTS ARE NOT AVAILABLE FOR ORDERING.

PART NUMBERS THAT DO NOT HAVE A LINE PRESENT INDICATE THAT PHYSICAL PARTS ARE AVAILABLE FOR ORDERING.

CONTACT DELPHI SALES TO ASSURE AVAILABILITY OF PARTS.

DWG TYPE: PART DRAWING

STYLE: [Symbol]

VOLUME (CPI): 1.766

DISTR CODE: D

UNLESS OTHERWISE SPECIFIED THIS DOCUMENT IS IN ACCORDANCE WITH ASME Y14.5M-1994 AS AMENDED BY THE GM GLOBAL DIMENSIONING AND TOLERANCING ADDENDUM - 1997. ALL GEOMETRIC TOLERANCES AND RELATED DATUMS APPLY RFS. RULE #1 (PERFECT FORM AT MMPI) DOES NOT APPLY WHEN RELATIONSHIP BETWEEN FEATURES IS ESTABLISHED BY ORIENTATION OR LOCATION TOLERANCES. SEPARATE POSITION CALLOUTS MAY BE GAGED SEPARATELY, REGARDLESS OF DATUM REFERENCE. ALL DIMENSIONS ARE IN INCHES.

REFERENCE: [Symbol]

THIRD ANGLE PROJECTION

DO NOT SCALE

USE MATH DATA

ANGULAR TOLERANCE ±2°

DELPHI
DELPHI PACKARD ELECTRICAL/ELECTRONIC ARCHITECTURE
WARREN, OH
COPYRIGHT 1984 DELPHI CORPORATION AND/OR ITS AFFILIATES. ALL RIGHTS RESERVED.
REVISED 2012
THIS DRAWING IS THE PROPERTY OF DELPHI CORPORATION AND CONTAINS DELPHI CONFIDENTIAL INFORMATION. THE REPRODUCTION, DISTRIBUTION AND UTILIZATION OF THIS DOCUMENT OR ITS RELATED CAD MATH DATA, AS WELL AS COMMUNICATION OF ANY CONTENT TO OTHERS, WITHOUT EXPRESS AUTHORIZATION, IS PROHIBITED.

DR	DATE
APVD1 F. THOMAS	02AP84
APVD2 F. THOMAS	02AP84
APVD3 D. PAXON	23AP84
APVD4	
APVD5	

SUBSTANCES OF CONCERN AND RECYCLED CONTENT PER DELPHI 10949001

MATERIAL SEE CHART

DRAWING NAME: TAXI CONN F 56 SERIES

DRAWING NUMBER: 02962830

SIZE	SCALE	FRAME NO	SHEET NO	STG	REV	N/P
A1	5:1	1 OF 1	1 OF 1	R	06	-