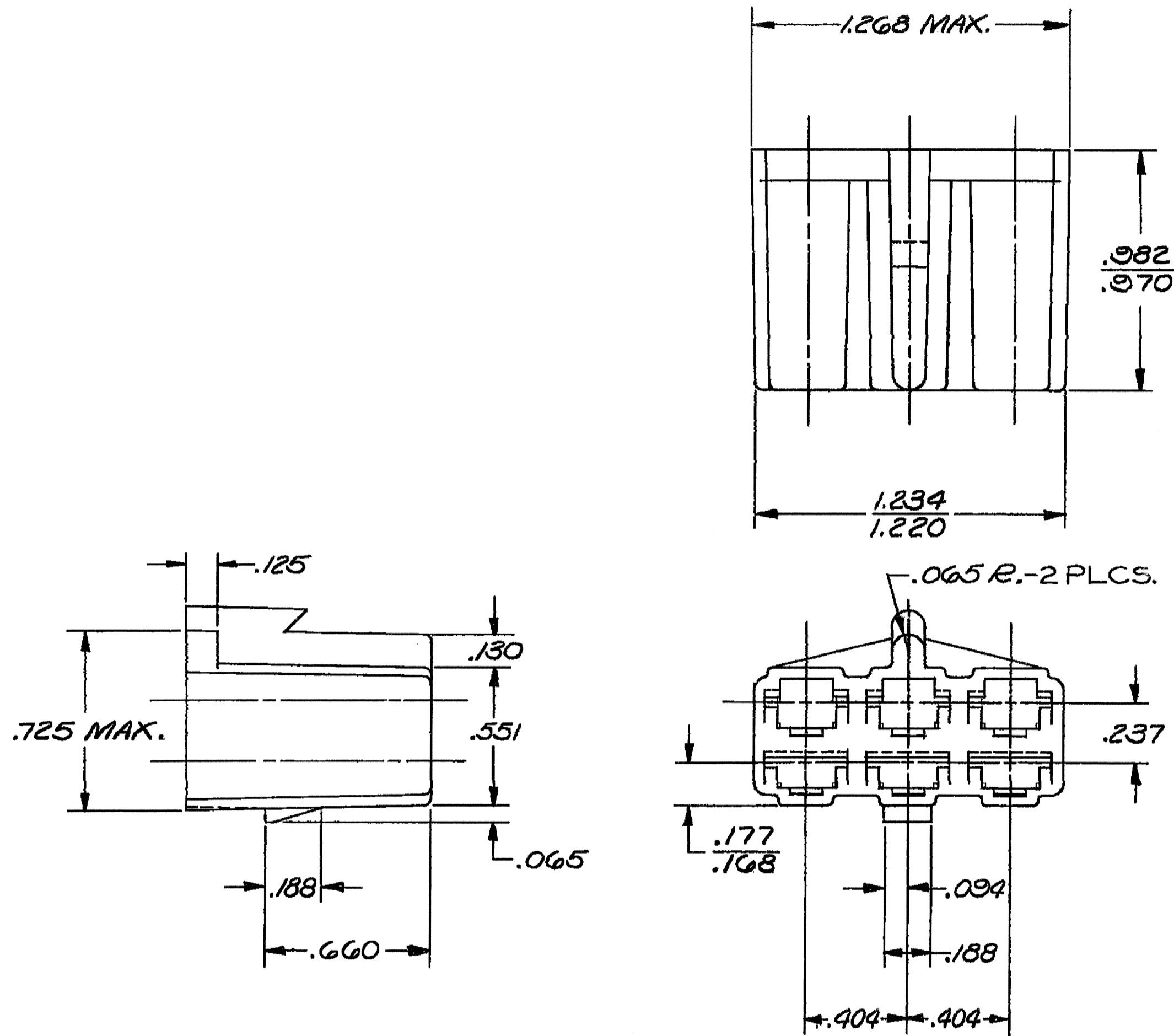


DWG STATUS					ZONE	REVISION HISTORY	AUTH	DR	APVD 1	APVD 2
DATE	STG	REV	N/P	CHG						
110C04	R	11	-	-		TAXI CREATED, ALL PARTS WERE ON SEPARATE PD'S	258024	MJM	MJM	ET



NOTES

1. MATERIAL RECYCLING CODE PER SAE J1344. RAISED CHARACTERS AS SHOWN TO BE LOCATED ON ANY EXTERIOR SURFACE. OPTIONAL CONSTRUCTION TO BE NO MATERIAL RECYCLING CODE.
2. RAISED DELPHI CORPORATE BRAND TO BE LOCATED ON ANY EXTERIOR SURFACE, PREFERABLY VISIBLE AT FINAL ASSEMBLY. OPTIONAL CONSTRUCTION TO BE "PED" OR NO LOGO.
3. REFERENCE MATING CONNECTOR 02977042.

08911508	C	-	OBSOLETE	R-63519 (POLYP. BLU)
08905642	C	-	OBSOLETE	M-661-001 (POLYP. NAT)
02977044	04	-	-	M2097001 PP IM BLK
PART NO	REV	N/P	STATUS	MATERIAL SPEC AND COLOR

TOLERANCE UNLESS OTHERWISE SPECIFIED
 DECIMAL: ANGULAR ±2°
 TWO PLACE ±.01
 THREE PLACE ±.005

DWG TYPE PART DRAWING	
STYLE	
VOLUME (CM ³)	DISTR CODE D
UNLESS OTHERWISE SPECIFIED <small>THIS DOCUMENT IS IN ACCORDANCE WITH ASME Y14.5M-1994 AS AMENDED BY THE GM GLOBAL DIMENSIONING AND TOLERANCING ADDENDUM - 1997. ALL GEOMETRIC TOLERANCES AND RELATED DATUMS APPLY RFS. RULE #1 (PERFECT FORM AT MMC) DOES NOT APPLY WHEN RELATIONSHIP BETWEEN FEATURES IS ESTABLISHED BY ORIENTATION OR LOCATION TOLERANCES. SEPARATE POSITION CALLOUTS MAY BE GAGED SEPARATELY, REGARDLESS OF DATUM REFERENCE. ALL DIMENSIONS ARE IN INCHES</small>	
REFERENCE	
THIRD ANGLE PROJECTION	DO NOT SCALE USE MATH DATA

DELPHI	
DELPHI PACKARD ELECTRIC SYSTEMS WARREN, OH	
DR	DATE
APVD1 M. MAYER	110C04
APVD2 M. MAYER	110C04
APVD3 ERIC TRACEY	120C04
APVD4	
APVD5	
SUBSTANCES OF CONCERN AND RECYCLED CONTENT PER DELPHI 10949001	
MATERIAL SEE CHART	
DRAWING NAME TAXI CONN 56	
DRAWING NUMBER 08905643	
SIZE A2	SCALE NTS
FRAME NO 1 OF 1	SHEET NO 1 OF 1
STG R	REV 11
N/P -	