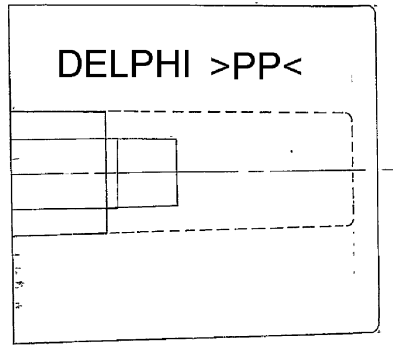
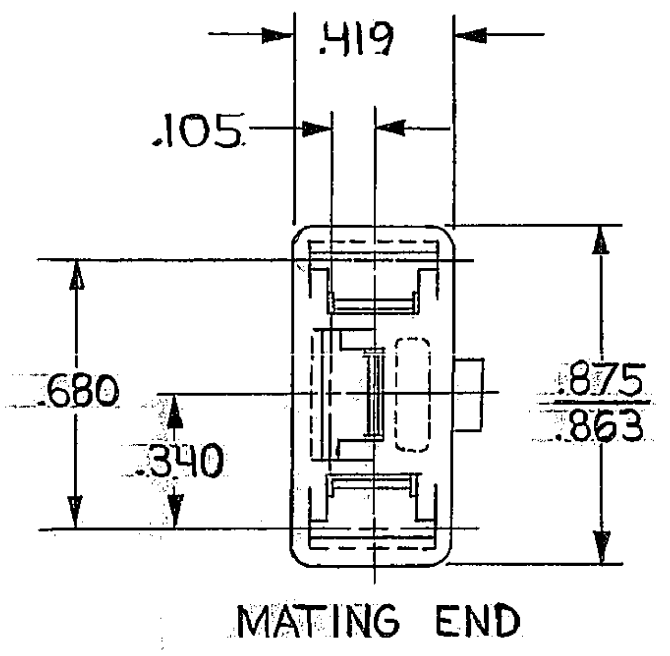
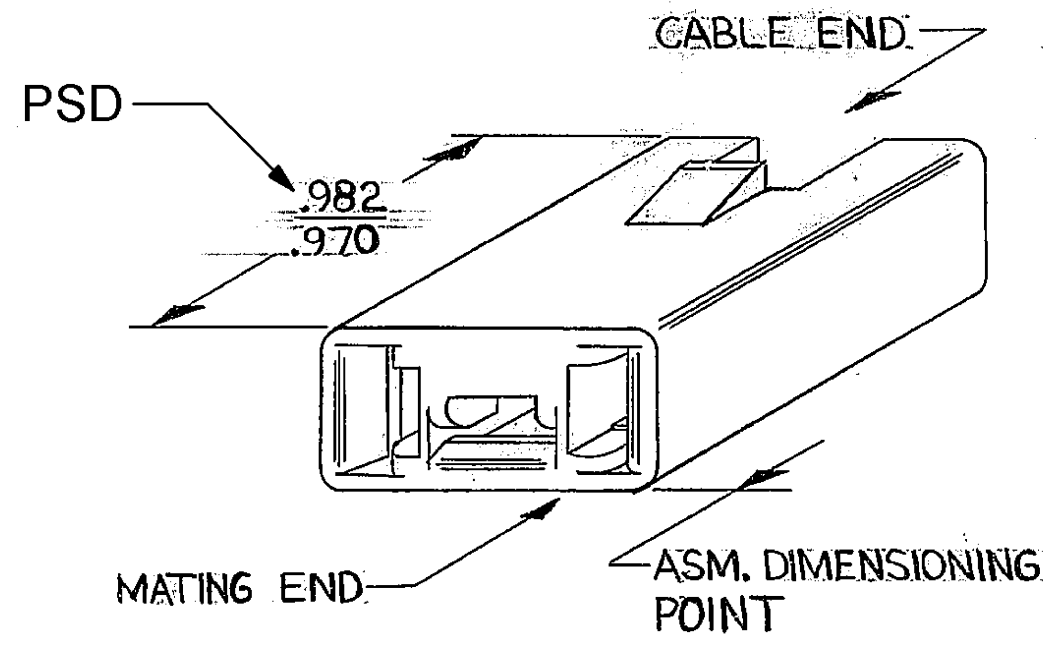


DWG STATUS				REVISION HISTORY				AUTH		DR		APVD	
DATE	BY	REV	CHG	NO	DATE	BY	NO	NO	NO	NO	NO	NO	
17SEP02	R	01	-	-	TAXI CREATED FROM SEPARATE DRAWINGS. ALL ACTIVE PARTS - ADDED NOTES (2 PLCS) AND REVISED MATL SPEC				230338	RAO	EGR	ET	



- NOTES
- DIMENSIONS ARE TO FACE OF VIEW SHOWN UNLESS OTHERWISE INDICATED
 - (.090) X (.004) RAISED DELPHI CORPORATE BRAND TO BE LOCATED ON ANY EXTERIOR SURFACE, PREFERABLY VISIBLE AT FINAL ASSEMBLY. OPTIONAL CONSTRUCTION TO BE "PED" OR NO LOGO
 - MATERIAL RECYCLING CODE >PP< PER SAE J1344. (.090) X (.004) RAISED CHARACTERS AS SHOWN TO BE LOCATED ON ANY EXTERIOR SURFACE. OPTIONAL CONSTRUCTION TO BE NO MATERIAL RECYCLING CODE.

PART NO	REV	N/P	STATUS	MATERIAL SPECIFICATION AND COLOR
12040949	B1	-	OBSOLETE	M0661007 - PP GRN
08911907	-	-	OBSOLETE	R-67551-POLYP-RED
02984958	B1	-		M0661002 - PP BLK

DWG TYPE		PART DRAWING	
STYLE		DISTR CODE	D
VOLUME (CM)			
ROUTING	6900		
UNLESS OTHERWISE SPECIFIED			
THIS DRAWING IS A CONTROL COPY. IT IS THE PROPERTY OF DELPHI CORPORATION. NO PARTS ARE TO BE USED FROM THIS DRAWING FOR ANY PURPOSE OTHER THAN THE MANUFACTURE OF DELPHI AND DELPHI PRODUCTS.			
REFERENCE			
THIRD ANGLE PROJECTION			

DELPHI
 DELPHI PACKARD ELECTRIC SYSTEMS
 WARREN, OH

THIS DRAWING IS THE PROPERTY OF DELPHI CORPORATION. NO PARTS ARE TO BE USED FROM THIS DRAWING FOR ANY PURPOSE OTHER THAN THE MANUFACTURE OF DELPHI AND DELPHI PRODUCTS.

DR	DATE
APVSR: D. B. O' MALLEY	06FE73
APVSR: T. MUDREY	07FE73
APVSR: T. LUBERT	08FE73

MATERIAL: SEE CHART

DRAWING NAME: TAXI CONN 56

DRAWING NUMBER: **08911908**

SIZE	SCALE	FRAME NO	SHEET NO	STG	REV	N/P
A0	NONE	1 OF 1	1 OF 1	R	01	-