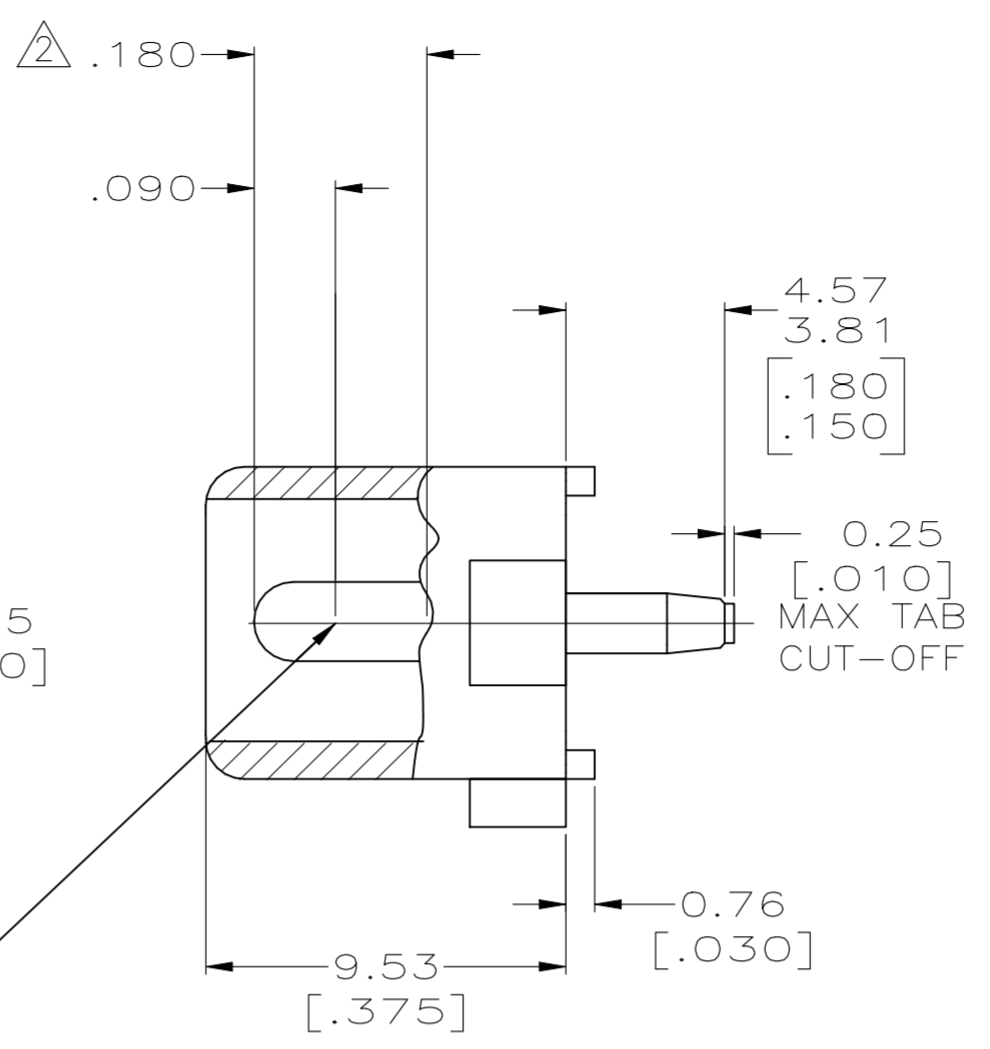
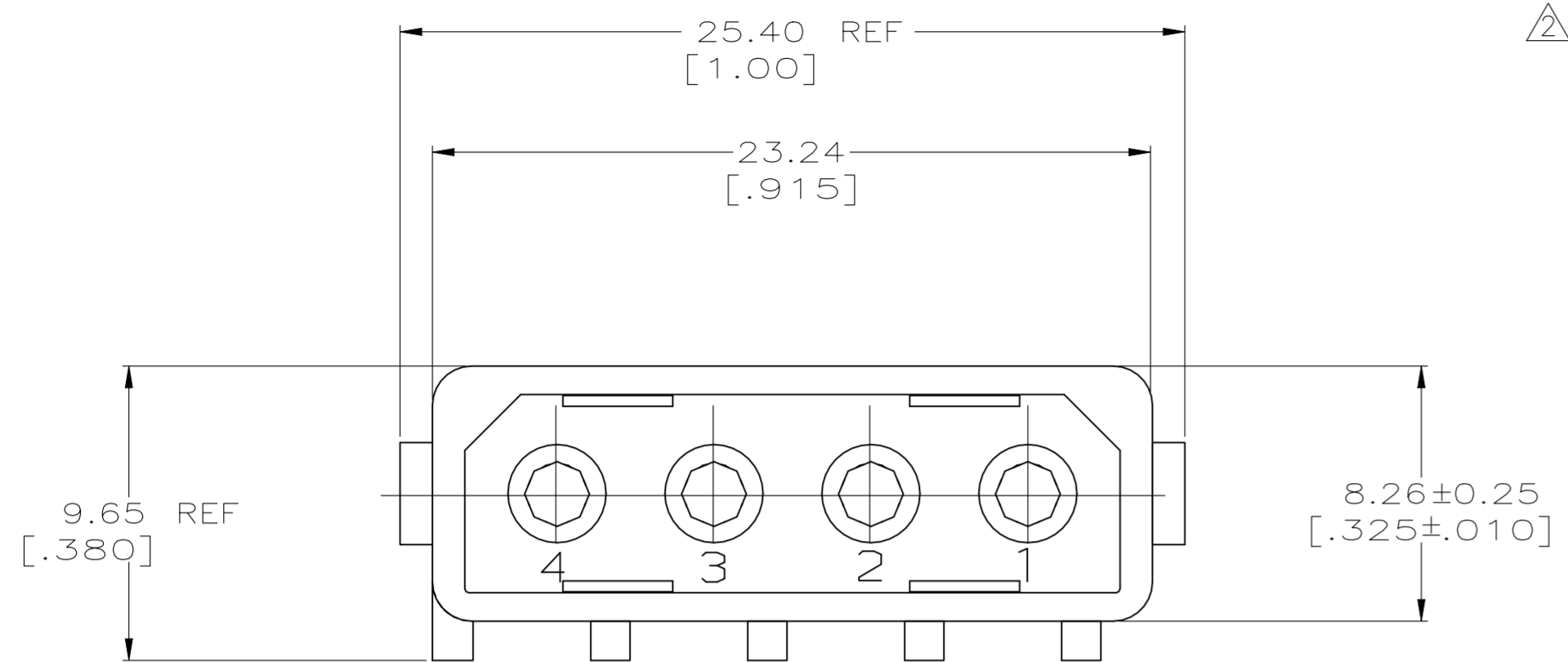


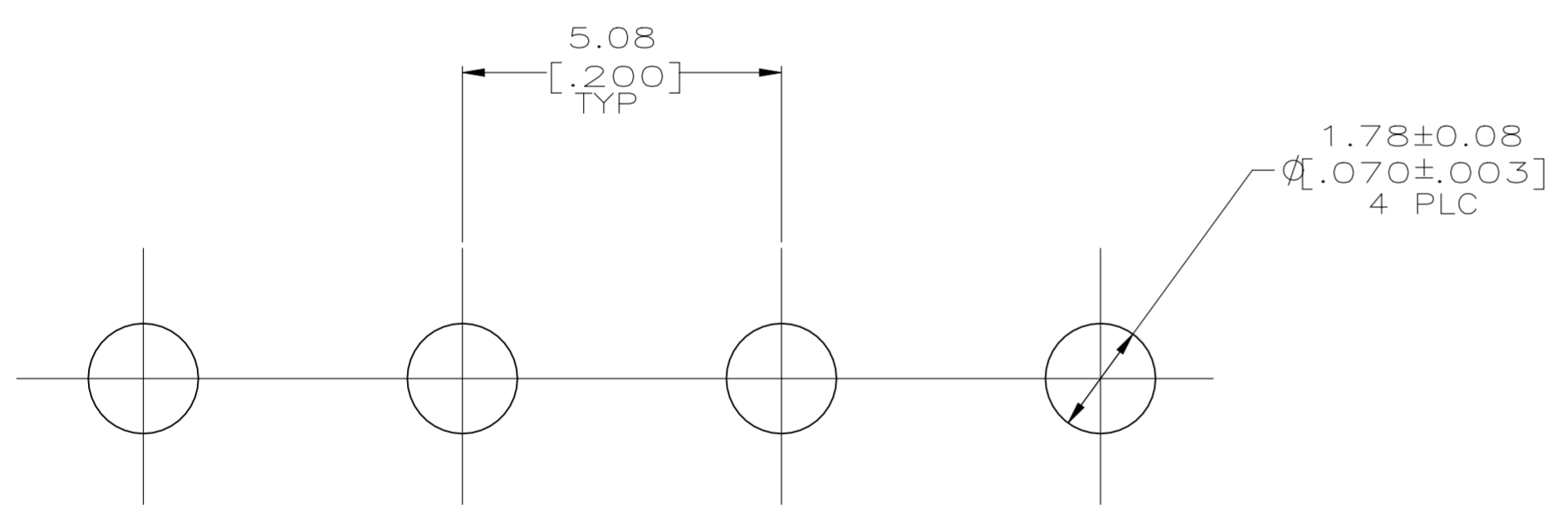
THIS DRAWING IS UNPUBLISHED. RELEASED FOR PUBLICATION  
 © COPYRIGHT - By - ALL RIGHTS RESERVED.

REVISIONS					
P	LTR	DESCRIPTION	DATE	DWN	APVD
U6		REVISED PER ECR-21-117185	25OCT2021	PJ	VS



- 1 PARTS MUST COMPLY WITH TE SOLDERABILITY SPECIFICATION 109-11-3.
- △ CONTACT IS PLATED OVERALL WITH 0.00127 [.000050] NICKEL, THEN 0.00076 [.000030] GOLD OVER CONTACT LENGTH INDICATED AND TIN PLATED ON SOLDERTAIL END.
- 3 DIMENSIONS IN BRACKETS ARE IN INCHES.
- 4 DIMENSION SHOWN REPRESENT PRODUCT IN DRY CONDITION. ADDITIONAL 2% GROWTH DUE TO END USE LOCATION MOISTURE ABSORPTION MAY OCCUR AND SHOULD BE ACCOUNTED FOR.

POINT OF MEASUREMENT



RECOMMENDED P.C. BOARD LAYOUT  
 FOR 1.57 [.062] THICK P.C. BOARD  
 SCALE 10:1

OBSOLETE	PHOS BRZ, TIN LEAD	NYLON,UL94V-2	-350211-3-
SUPERSEDED BY 1586515-2	△	NYLON,UL94V-2	350211-2-
	PHOS BRZ, PRE-TIN	NYLON,UL94V-2	350211-1
PIN CONTACT MATERIAL & FINISH		HOUSING MATERIAL & COLOR	PART NUMBER

THIS DRAWING IS A CONTROLLED DOCUMENT.		DWN K. WHITAKER 27MAY2005	TE Connectivity																			
DIMENSIONS: mm [INCHES]		CHK D. COLEY 27MAY2005																				
TOLERANCES UNLESS OTHERWISE SPECIFIED:		APVD D. COLEY 27MAY2005	NAME HEADER ASSEMBLY, 4 CIRCUIT, COMMERCIAL MATE-N-LOK(TM)																			
<table border="1"> <tr><td>0 PLC</td><td>±</td><td>-</td></tr> <tr><td>1 PLC</td><td>±</td><td>-</td></tr> <tr><td>2 PLC</td><td>±</td><td>0.38[.015]</td></tr> <tr><td>3 PLC</td><td>±</td><td>-</td></tr> <tr><td>4 PLC</td><td>±</td><td>-</td></tr> <tr><td>ANGLES</td><td>±</td><td>0°30'</td></tr> </table>		0 PLC	±	-	1 PLC	±	-	2 PLC	±	0.38[.015]	3 PLC	±	-	4 PLC	±	-	ANGLES	±	0°30'	PRODUCT SPEC -	SIZE A2	CAGE CODE 00779
0 PLC	±	-																				
1 PLC	±	-																				
2 PLC	±	0.38[.015]																				
3 PLC	±	-																				
4 PLC	±	-																				
ANGLES	±	0°30'																				
MATERIAL SEE TABLE	FINISH SEE TABLE	APPLICATION SPEC -	DRAWING NO C=350211	RESTRICTED TO -																		
		WEIGHT 0.000000	SCALE 5:1	SHEET 1 of 1																		
		CUSTOMER DRAWING	REV U6																			

350211