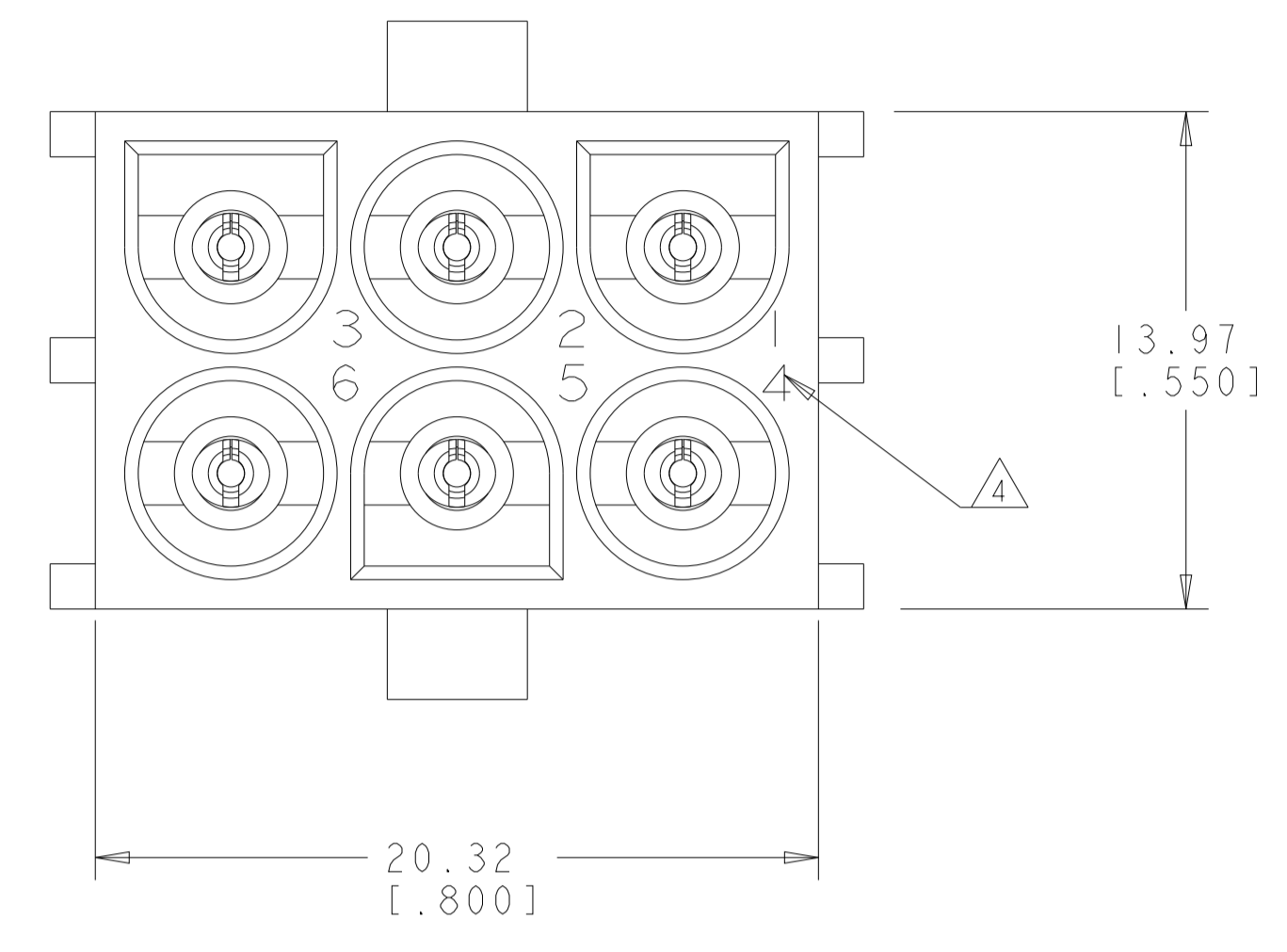
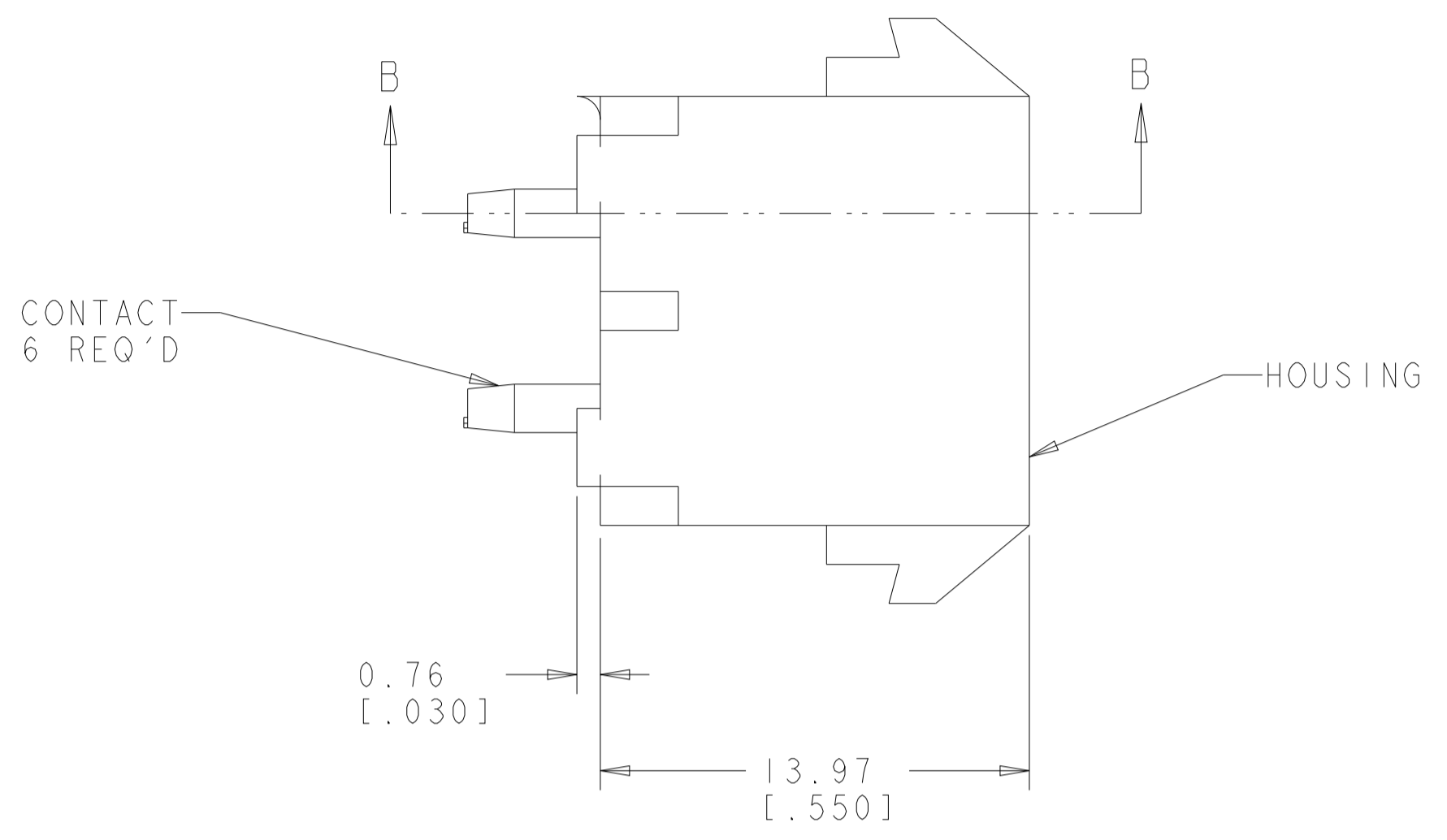
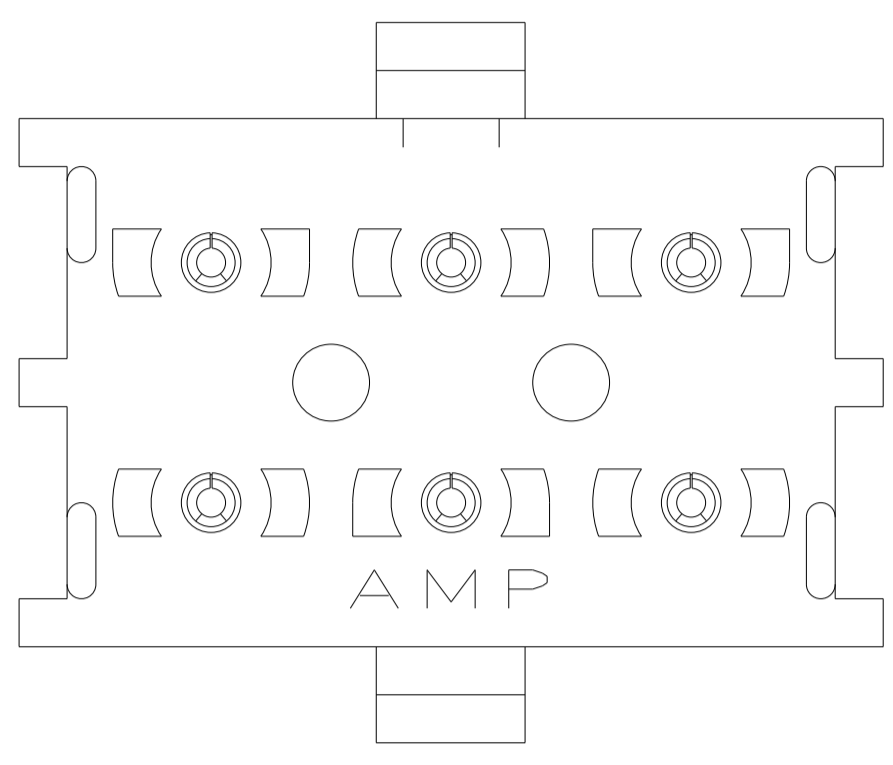
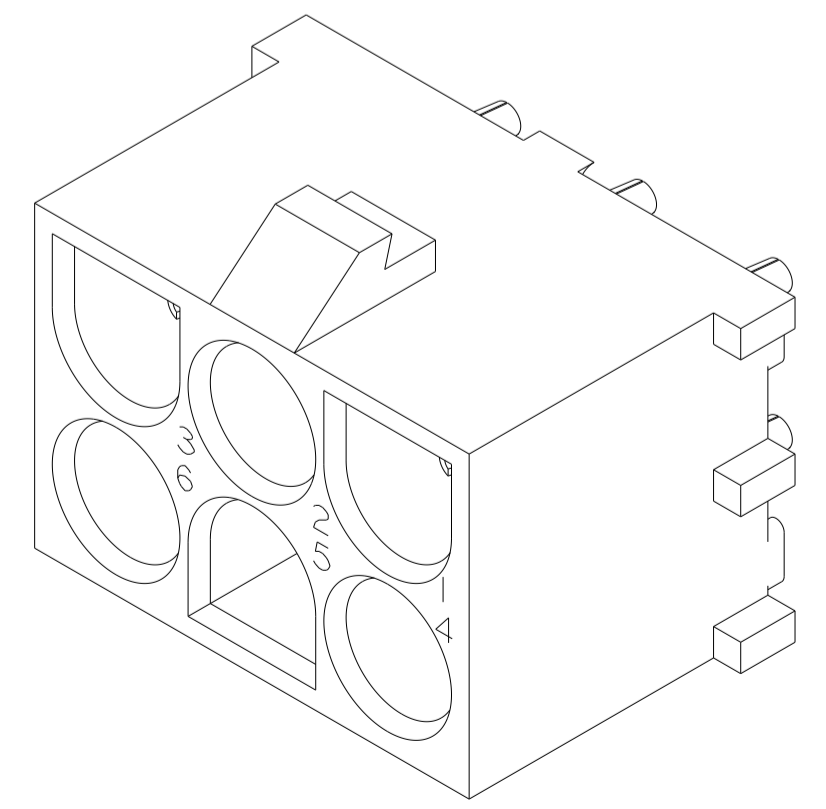
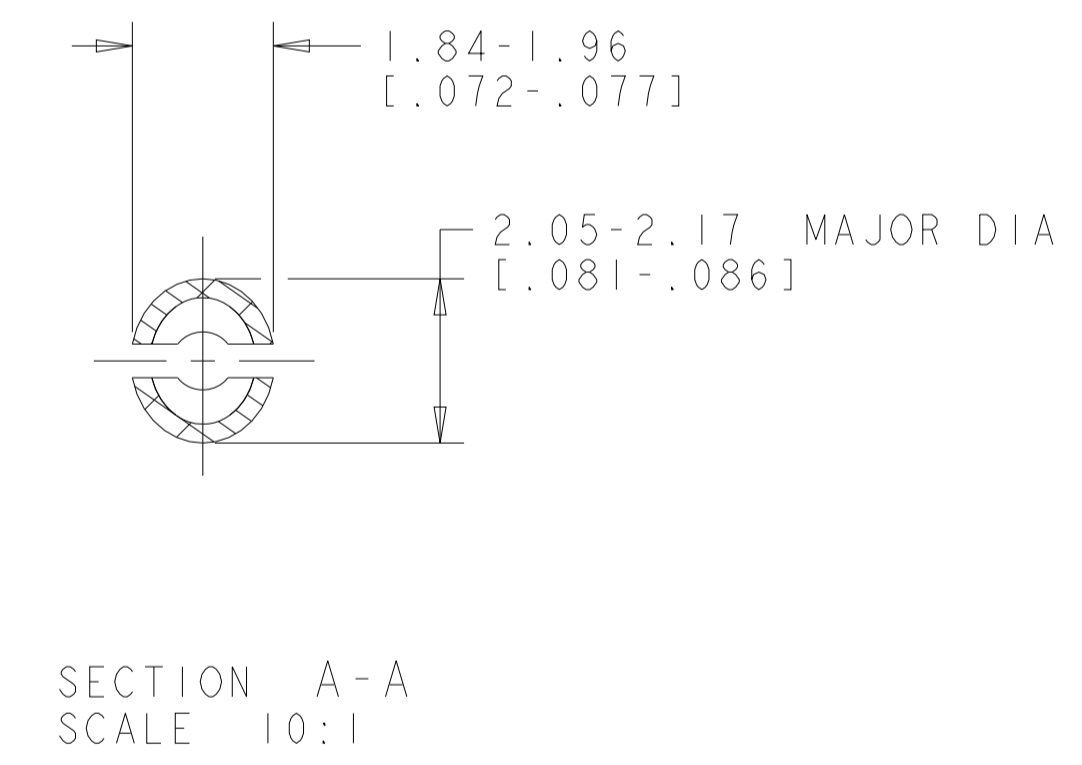
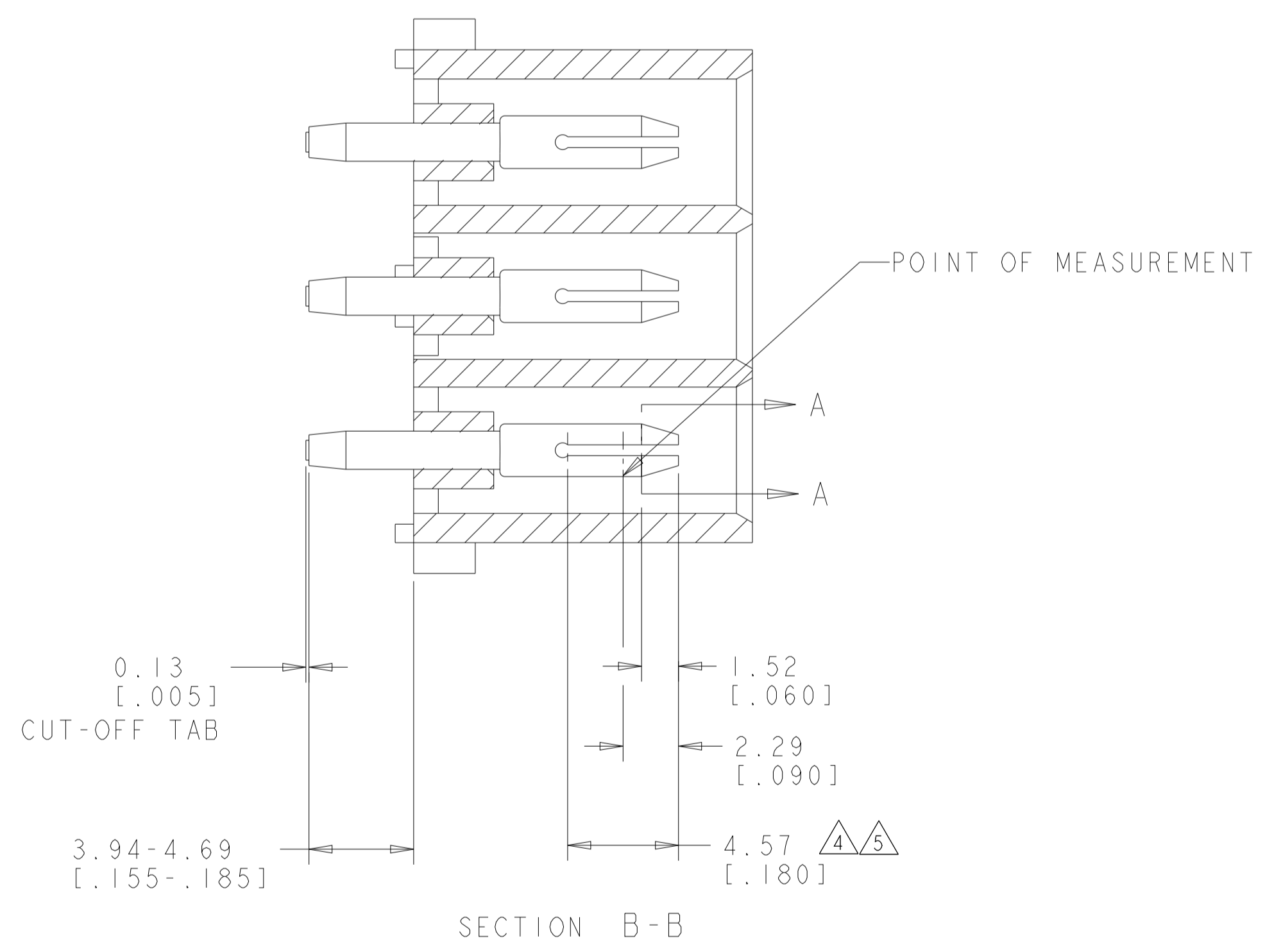


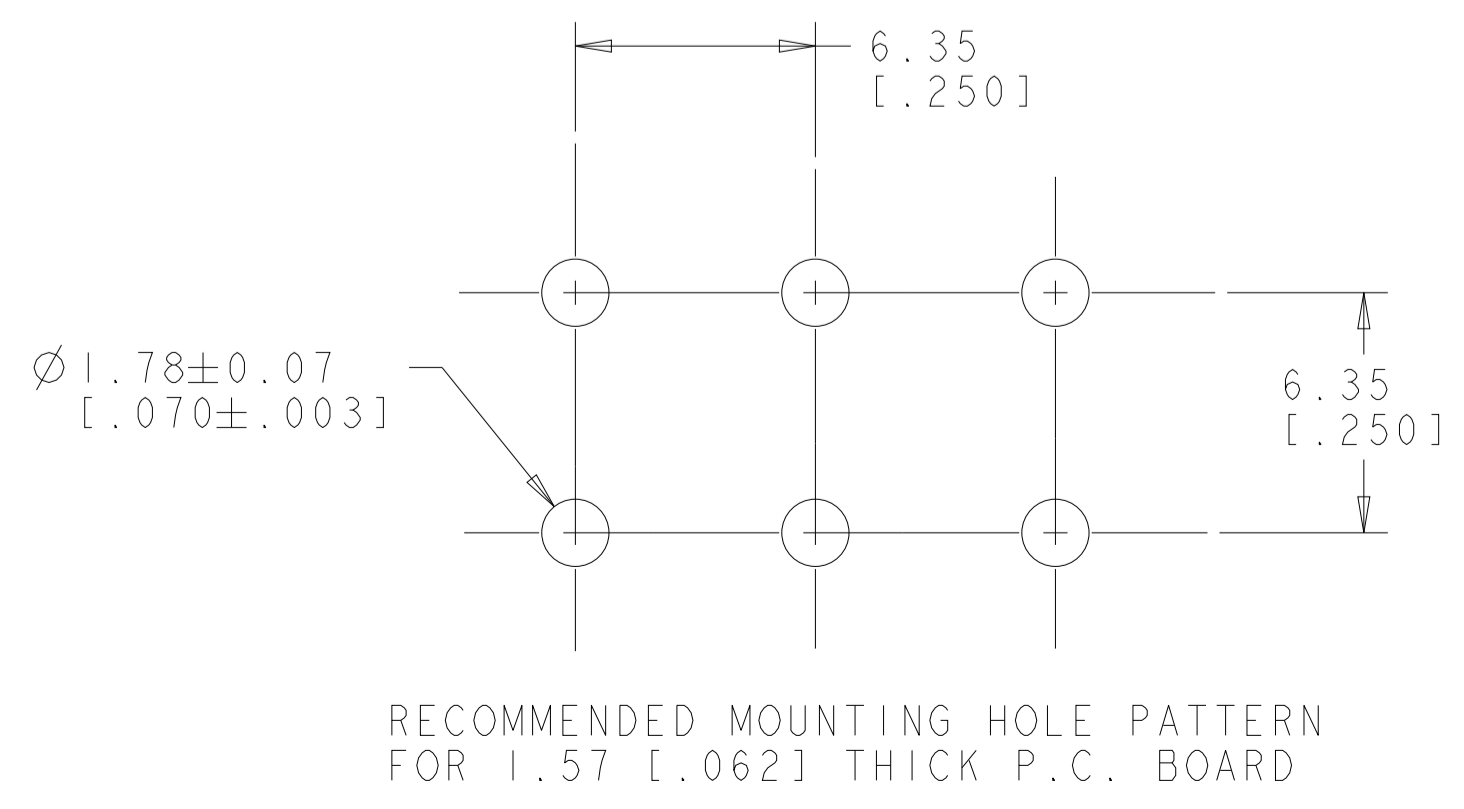
LOC	DIST	REVISIONS					
		P	LTN	DESCRIPTION	DATE	DWN	APVD
CM	00	Y2		REVISED PER ECR-12-011660	24JAN2013	KH	TM
		Y3		REVISED PER ECR-21-119230	08NOV2021	SS	VS



1. PARTS MATE WITH HOUSING 480704.
2. PARTS COMPLY TO AMP SOLDERABILITY SPECIFICATION 109-11-3.
3. CIRCUIT IDENTIFICATION CHARACTERS ARE ADJACENT TO THE INDICATED CAVITIES, BUT LOCATION AND ORIENTATION MAY DIFFER FROM PRINT.
4. CONTACT IS PLATED OVERALL WITH 0.00127 [.000050] NICKEL, THEN 0.00076 [.000030] GOLD OVER CONTACT LENGTH INDICATED AND TIN LEAD ON SOLDER TAIL END.
5. CONTACT IS PLATED OVERALL WITH 0.00127 [.000050] NICKEL, THEN 0.00076 [.000030] GOLD OVER CONTACT LENGTH INDICATED AND MATTE TIN ON SOLDER TAIL END.
6. DIMENSIONS IN BRACKETS ARE IN INCHES.
7. SUPERSEDED BY 350431-4
8. DIMENSIONS SHOWN REPRESENT PRODUCT IN DRY CONDITION. ADDITIONAL 2% GROWTH DUE TO END USE LOCATION MOISTURE ABSORPTION MAY OCCUR AND SHOULD BE ACCOUNTED FOR.



3 DIMENSIONAL MODEL SCALE 4:1



PHOSPOR BRONZE, GOLD 5	NYLON, UL94V-2, NATURAL	350431-4
PHOSPOR BRONZE, GOLD 3	NYLON, UL94V-2, NATURAL	350431-2
PHOSPOR BRONZE, PRE-TIN	NYLON, UL94V-2, NATURAL	350431-1
PIN CONTACT MATERIAL AND FINISH	HOUSING MATERIAL AND COLOR	PART NUMBER

DIMENSIONS:		TOLERANCES UNLESS OTHERWISE SPECIFIED:		APVD		NAME	
mm [INCHES]		0 PLC	±	DMN	K. WHITAKER	18JULY2005	18JULY2005
		1 PLC	±	CHK	S. RIDGILL	18JULY2005	18JULY2005
		2 PLC	±0.131(.005)	APVD	S. RIDGILL	18JULY2005	18JULY2005
		3 PLC	±	PRODUCT SPEC			
		4 PLC	±	APPLICATION SPEC			
		ANGLES	±	WEIGHT			
		FINISH	±	CUSTOMER DRAWING			



PIN HEADER ASSEMBLY, 6 CIRCUIT, UNIVERSAL MATE-N-LOK TM

SIZE: A1 CAGE CODE: 350431 SHEET 1 OF 1 REV Y3

