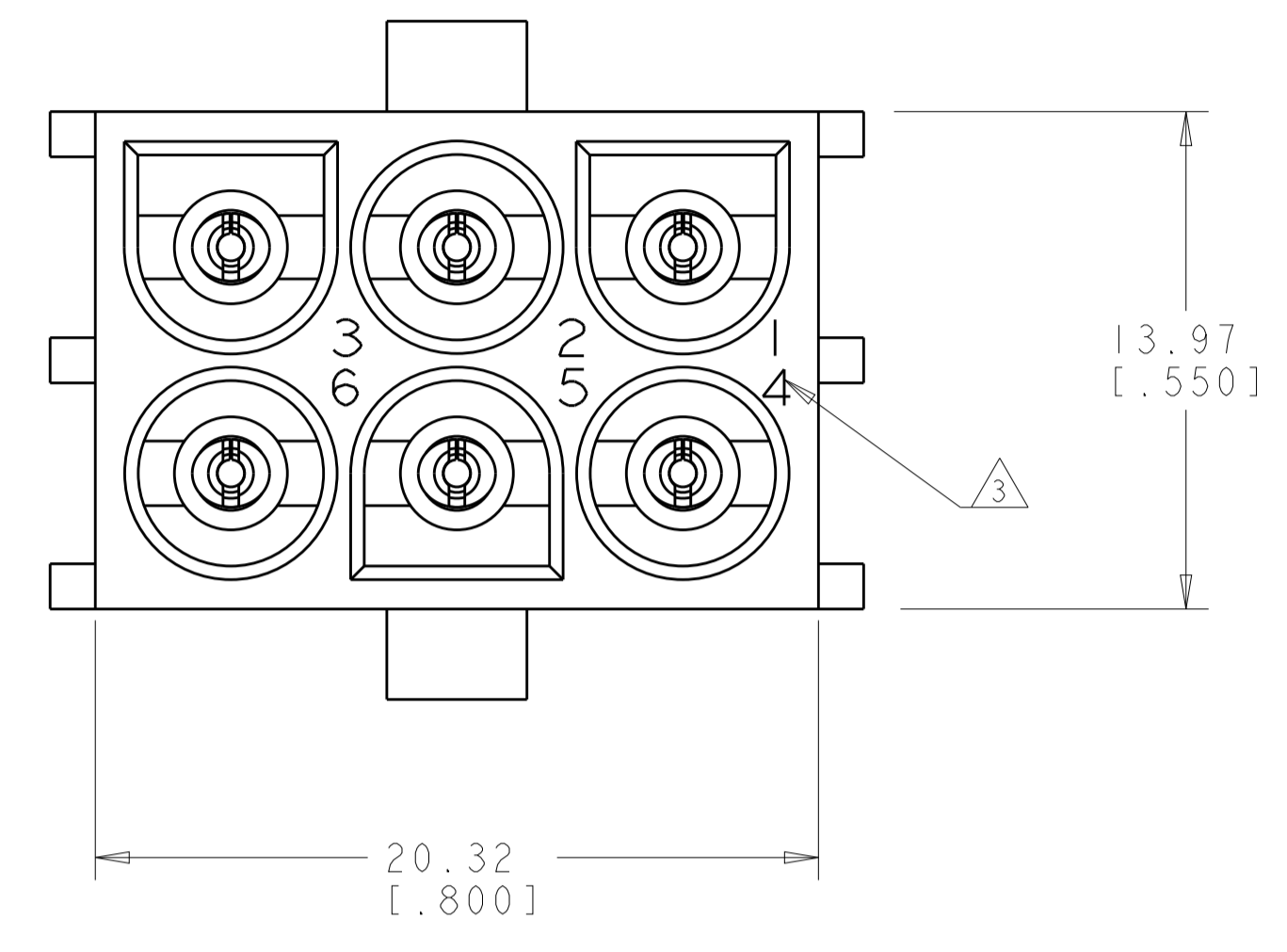
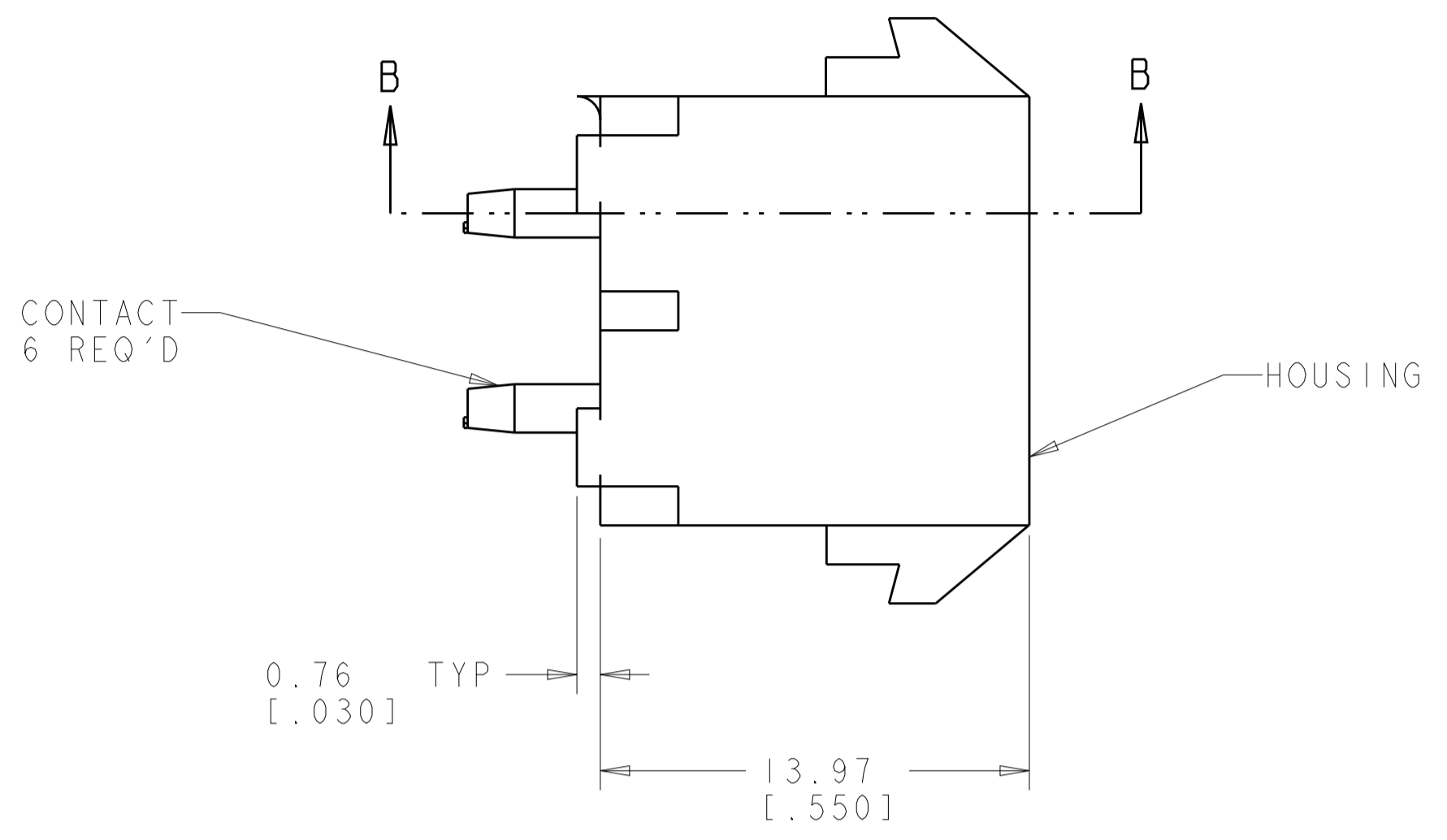
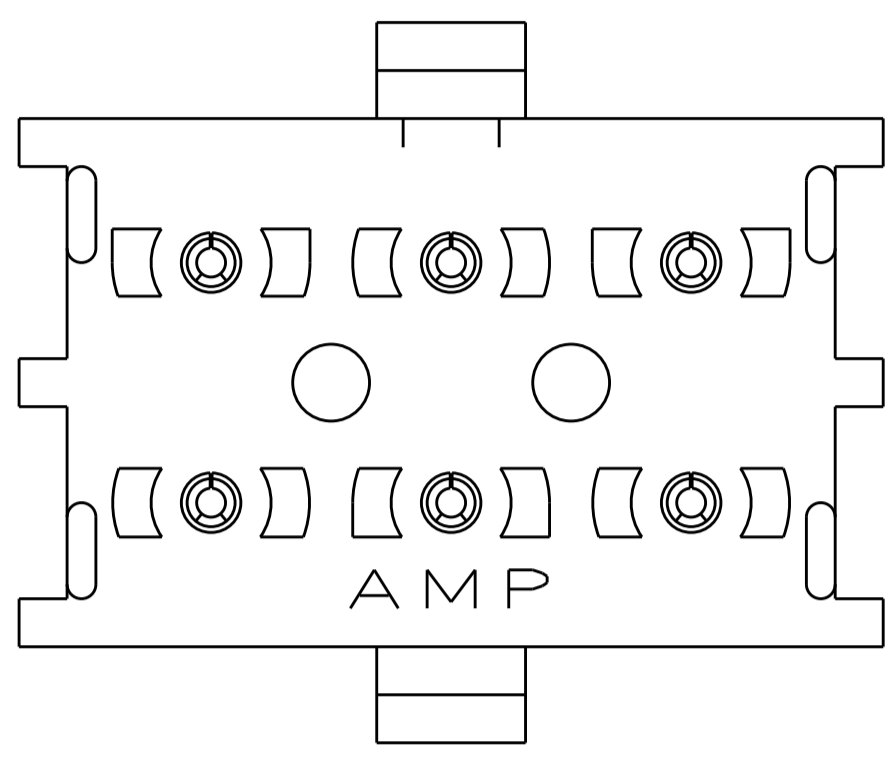
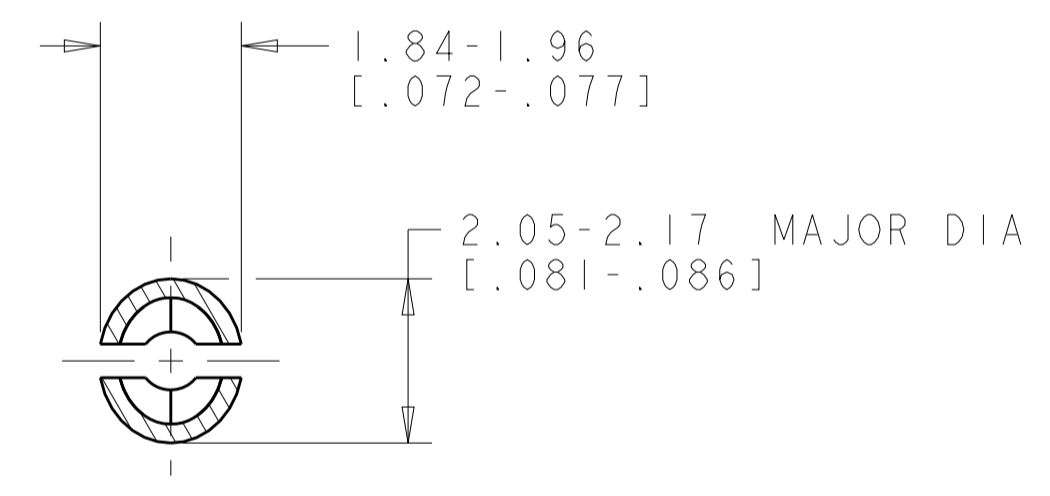
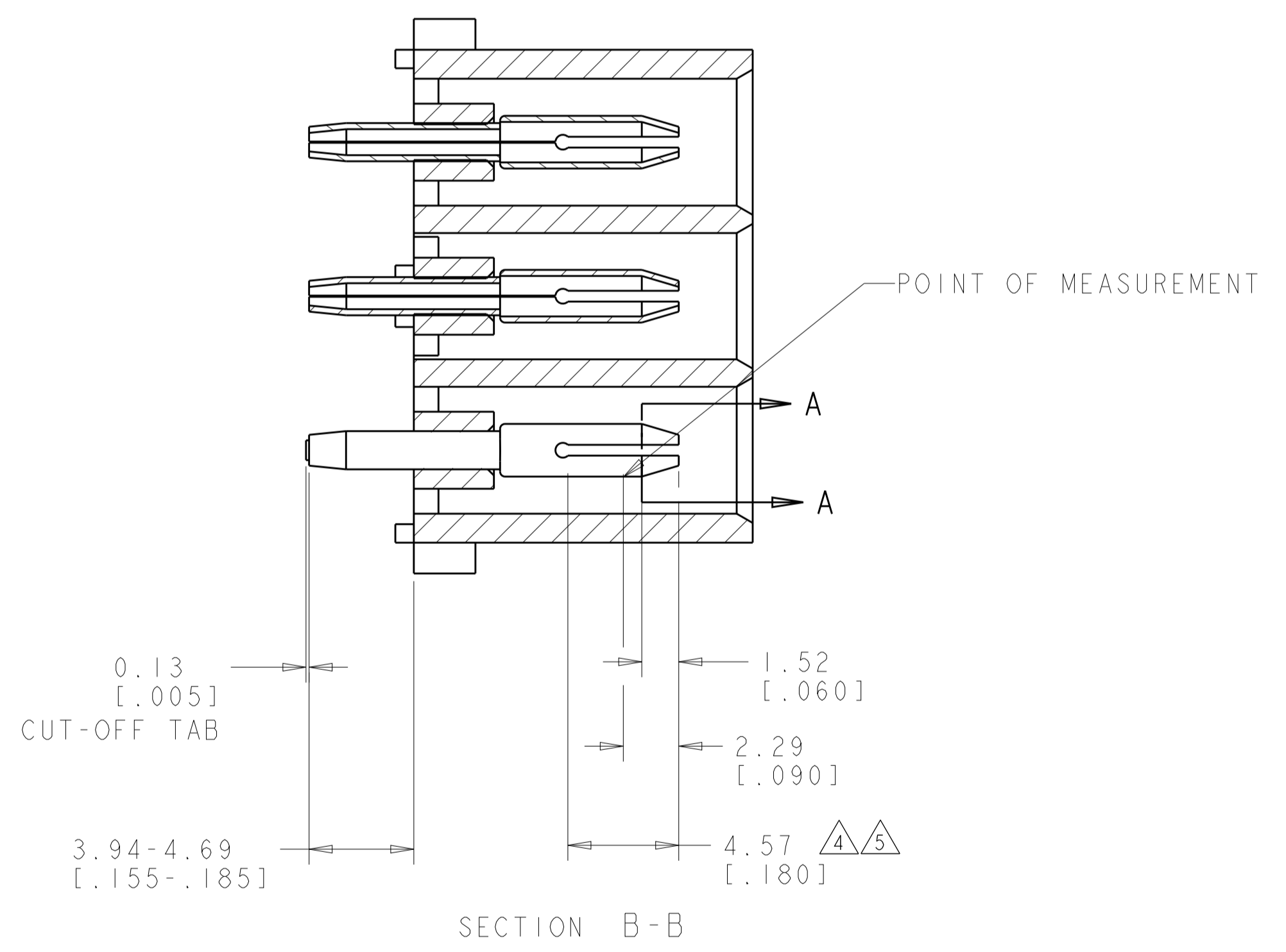


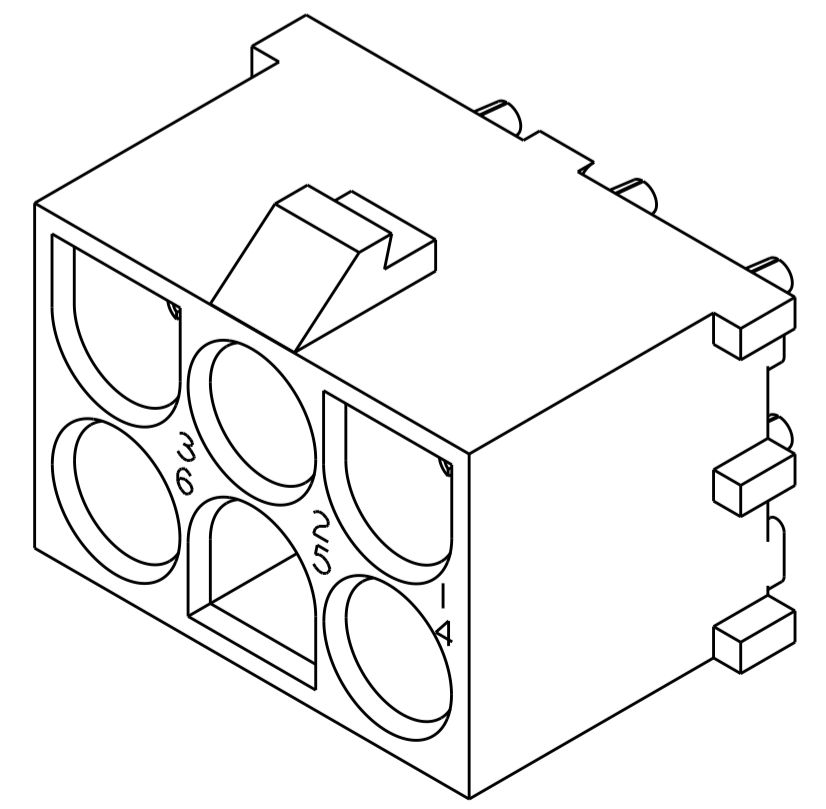
LOC	DIST	REVISIONS					
		P.	LTN	DESCRIPTION	DATE	DWN	APVD
CM	00	R4		REVISED PER ECR-12-011660	24JAN2013	KH	TM



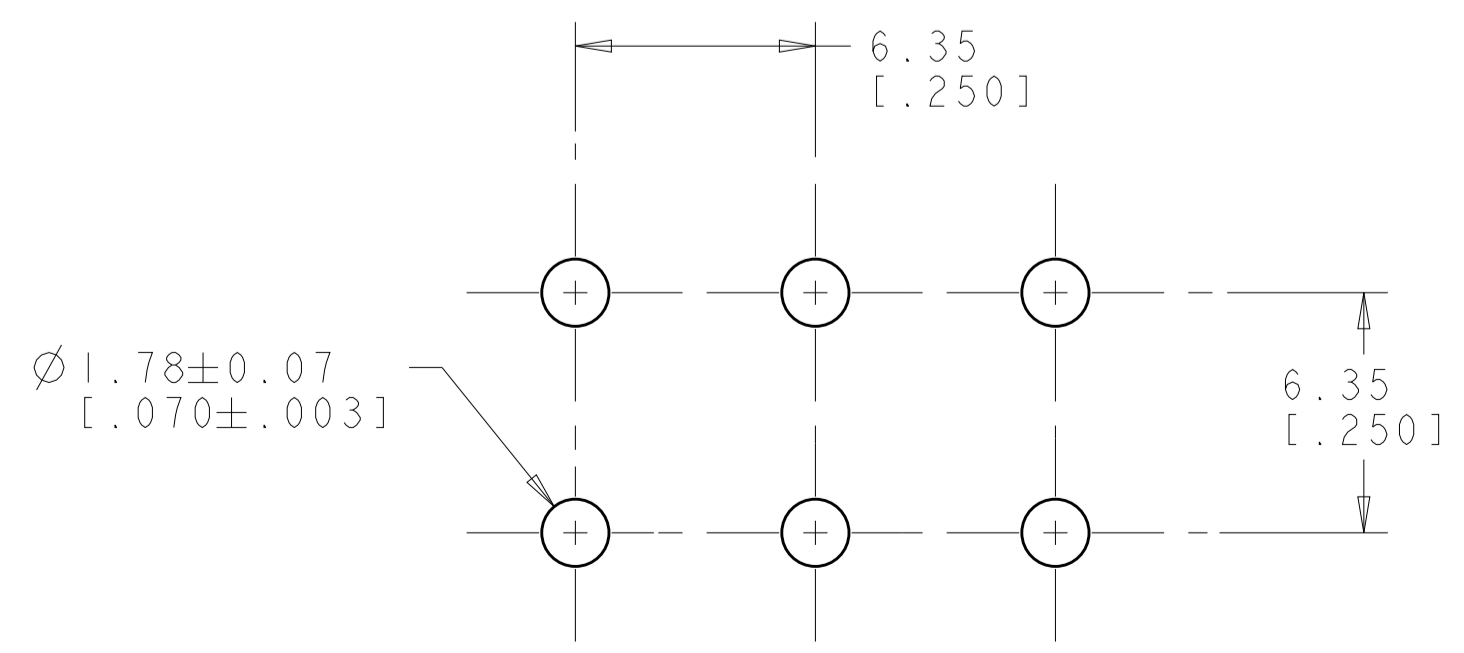
- PARTS MATE WITH HOUSING 480704.
- PARTS COMPLY TO AMP SOLDERABILITY SPECIFICATION 109-11-3.
- CIRCUIT IDENTIFICATION CHARACTERS ARE ADJACENT TO THE INDICATED CAVITIES, BUT LOCATION AND ORIENTATION MAY DIFFER FROM PRINT.
- CONTACT IS PLATED OVERALL WITH 0.00127 [.000050] NICKEL, THEN 0.00076 [.000030] GOLD OVER CONTACT LENGTH INDICATED AND TIN LEAD ON SOLDER TAIL END.
- CONTACT IS PLATED OVERALL WITH 0.00127 [.000050] NICKEL, THEN 0.00076 [.000030] GOLD OVER CONTACT LENGTH INDICATED AND MATTE TIN ON SOLDER TAIL END.
- DIMENSIONS IN BRACKETS ARE IN INCHES.
- SUPERSEDED BY 350711-4



SECTION A-A  
SCALE 10:1

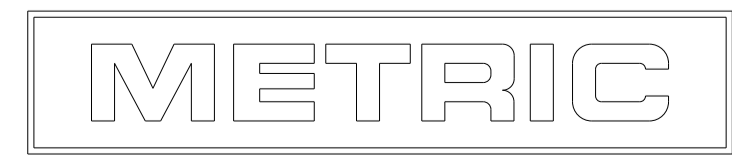


3 DIMENSIONAL MODEL  
SCALE 4:1



RECOMMENDED MOUNTING HOLE PATTERN  
FOR 1.57 [.062] THICK P.C. BOARD

PHOSPOR BRONZE, GOLD $\triangle 5$	NYLON, UL94V-0, NATURAL	350711-4
$\triangle 4$ PHOSPOR BRONZE, GOLD $\triangle 4$	NYLON, UL94V-0, NATURAL	350711-2
PHOSPOR BRONZE, PRE-TIN	NYLON, UL94V-0, NATURAL	350711-1
PIN CONTACT MATERIAL AND FINISH	HOUSING MATERIAL AND COLOR	PART NUMBER



THIS DRAWING IS A CONTROLLED DOCUMENT.		DWN K. WHITAKER 18JULY2005	TE Connectivity
DIMENSIONS: mm [ INCHES ]		CHK S. RIDGILL 18JULY2005	
TOLERANCES UNLESS OTHERWISE SPECIFIED:		APVD S. RIDGILL 18JULY2005	
0 PLC ± 1 PLC ± 2 PLC ±0.131(.005) 3 PLC ± 4 PLC ± ANGLES ±40°30'		NAME S. RIDGILL 18JULY2005	
MATERIAL SEE TABLE	FINISH SEE TABLE	PRODUCT SPEC APPLICATION SPEC	PIN HEADER ASSEMBLY, 6 CIRCUIT, UNIVERSAL MATE-N-LOK(TM)
CUSTOMER DRAWING		SIZE A1	CAGE CODE 100779
SCALE 1:1		SHEET 1 OF 1	REV R4