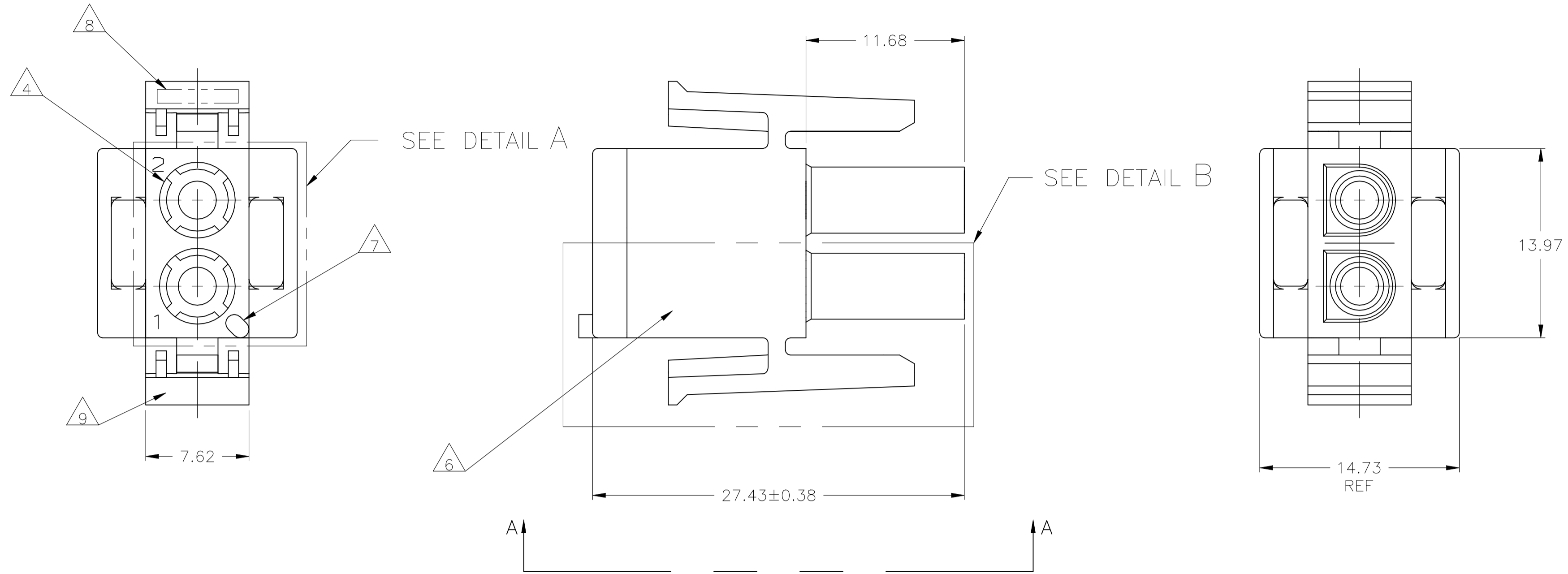
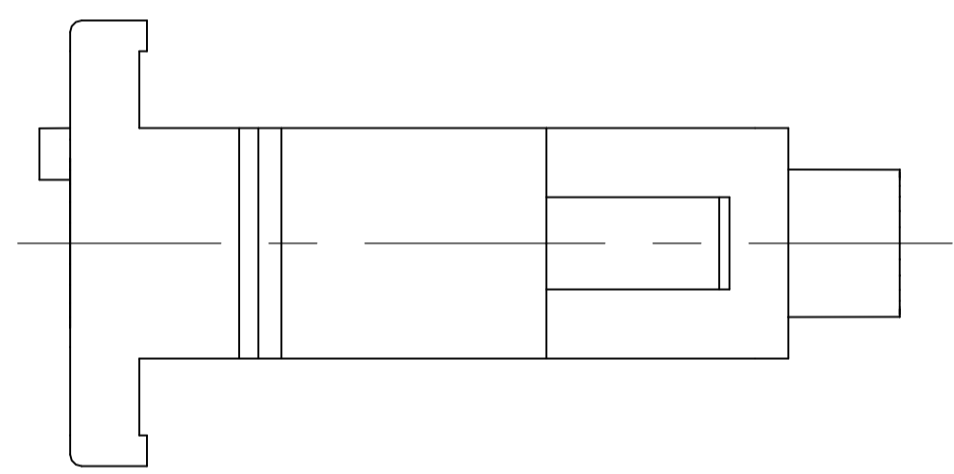


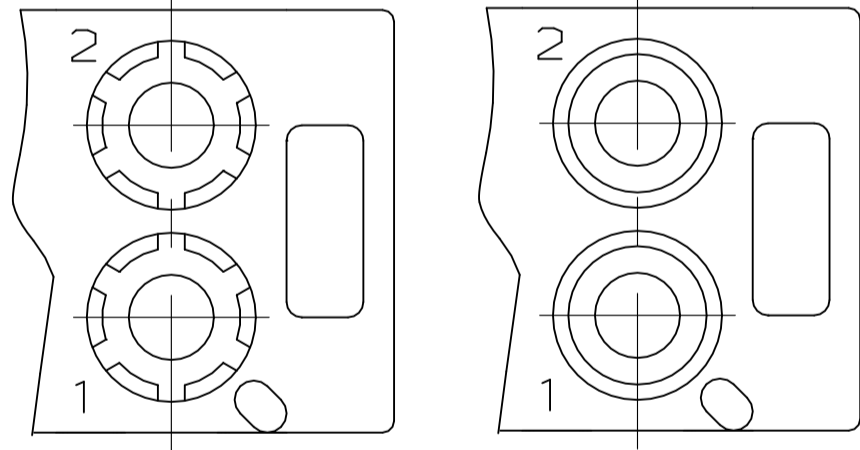
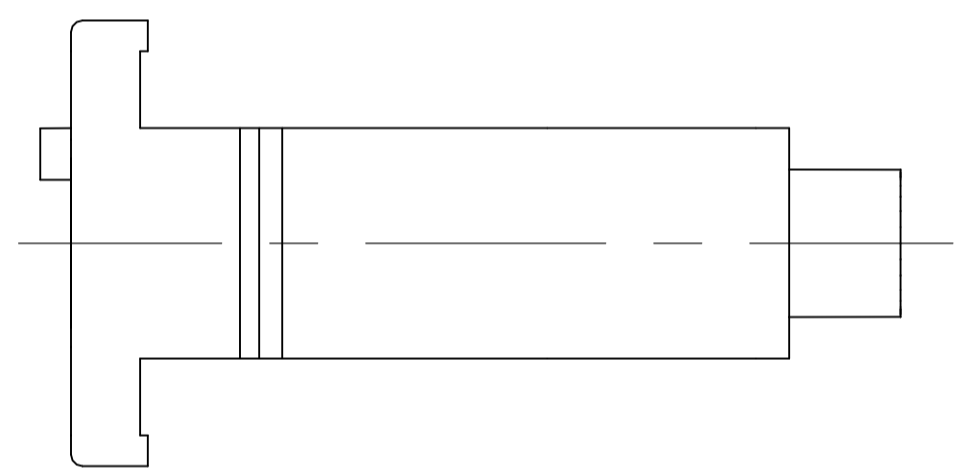
| REVISIONS | | | | |
|-----------|-----|---------------------------|-----------|-------|
| P | LTR | DESCRIPTION | DATE | APP'D |
| AE | | REVISED PER ECR-21-100623 | 06MAY2021 | PC JS |



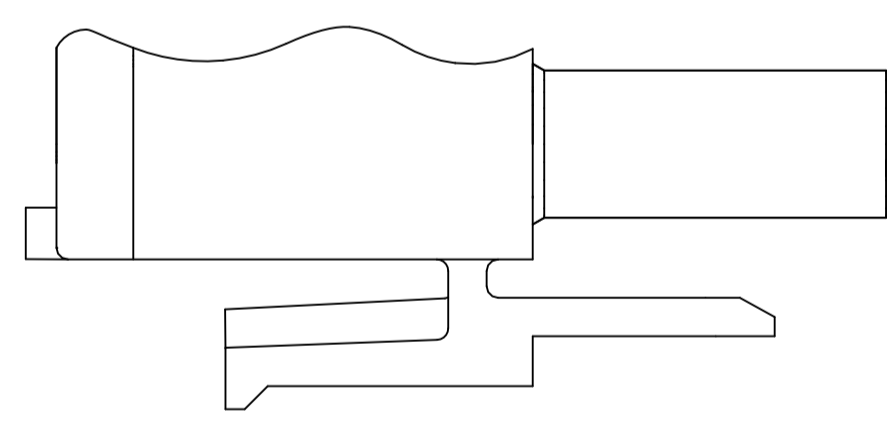
- 1 MATES WITH APPROPRIATE UNIVERSAL MATE-N-LOK™ CAP OR HEADER.
 - 2 SMALL NICKS ARE PERMITTED ON THE CIRCUIT TOWERS WHICH COULD INCREASE THE INITIAL HOUSING MATING FORCE BY UP TO 4.4 NEWTONS [1.0] LBS. NO INDIVIDUAL NICKED TOWER SHALL INCREASE THIS FORCE BY OVER 2.2 NEWTONS [.5] LBS.
 - 3 DIMENSIONS SHOWN REPRESENT PRODUCT IN DRY, AS MOLDED, CONDITION. ADDITIONAL 2% GROWTH DUE TO SUBSEQUENT MOISTURE ABSORPTION MAY OCCUR AND SHOULD BE ACCOUNTED FOR.
- △4 FOUR RIBS EQUALLY SPACED, NO SPECIFIC ORIENTATION, NO RIBS OR SIX RIBS EQUALLY SPACED, NO SPECIFIC ORIENTATION, OPTIONAL.
 - △5 NOT MANUFACTURED IN U.S.
 - △6 UNDERWRITERS RECOGNIZED COMPONENT LOGO AND CSA CERTIFICATION LOGO TO BE LOCATED ONCE ON ANY SIDE OF HOUSING.
 - △7 POSITION #1 LOCATOR FEATURE MAY BE ROUND OR OBLONG (AS DEPICTED).
 - △8 TRADEMARK LOCATION (AMP OR TE CONNECTIVITY) SHOWN FOR CONVENIENCE. LOGO MAY BE ON ANY EXTERNAL SURFACE.
 - △9 MANUFACTURING LOCATION ID (OPTIONAL).
 - △10 MATERIAL: PA66, UL94 V-0, GWIT 775°C



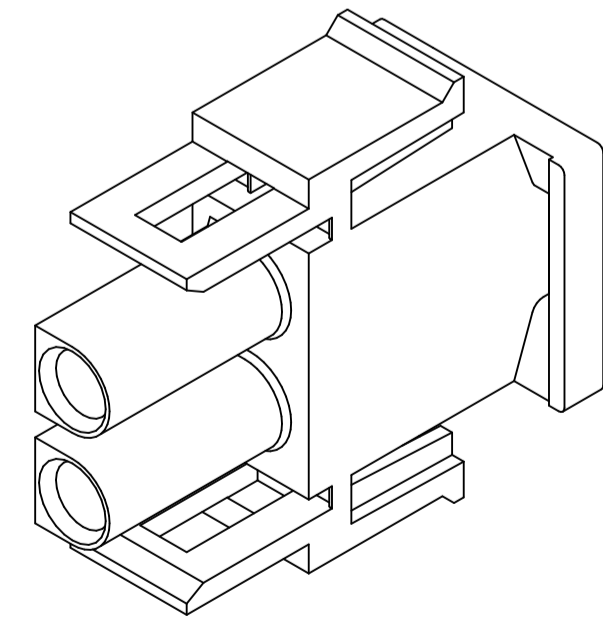
VIEW A-A
350777-4 ONLY



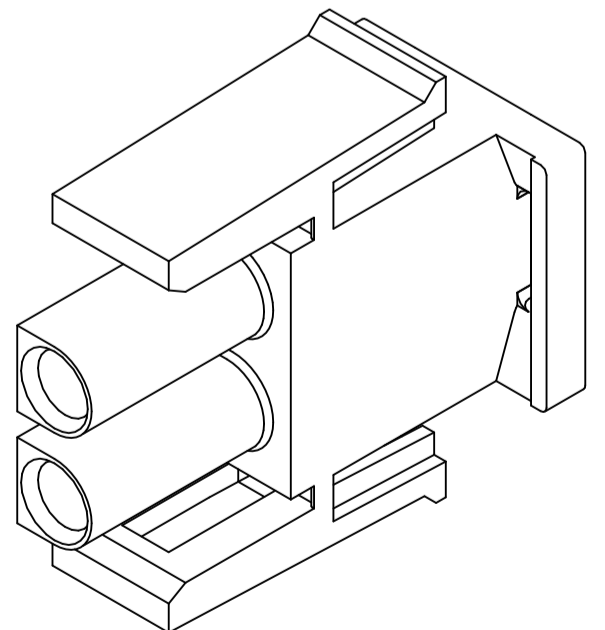
DETAIL A
OPTIONAL CONSTRUCTION



DETAIL B
350777-4 ONLY



350777-4 3-DIMENSIONAL MODEL
NTS



3-DIMENSIONAL MODEL
NTS

| MM | IN |
|-------|-------|
| 27.43 | 1.080 |
| 14.73 | .580 |
| 13.97 | .550 |
| 11.68 | .460 |
| 7.62 | .300 |
| 0.38 | .015 |
| 0.13 | .005 |

CONVERSION TABLE

| | | |
|-----|---------|-------------|
| △10 | NATURAL | 2-350777-1 |
| | BLACK | 1-350777-9 |
| | GRAY | 1-350777-8 |
| | BLUE | 1-350777-6 |
| | GREEN | 1-350777-5 |
| | YELLOW | 1-350777-4 |
| | ORANGE | 1-350777-3 |
| | RED | 1-350777-2 |
| | BROWN | 1-350777-1 |
| | △5 | 350777-4 |
| | NATURAL | 350777-1 |
| | COLOR | PART NUMBER |

THIS DRAWING IS A CONTROLLED DOCUMENT.

| | | | | |
|-------------|--|----------------------|---------------------|---|
| DIMENSIONS: | TOLERANCES UNLESS OTHERWISE SPECIFIED: | DIN R VESTAL 24JAN95 | REV R SWING 24JAN95 | NAME |
| mm | 0. PLC ± - | APP'D D SELF 24JAN95 | PRODUCT SPEC | PLUG, 2 CIRCUIT, UNIVERSAL MATE-N-LOK(TM) |
| | 1. PLC ± - | APPLICATION SPEC | RESTRICTED TO | |
| | 2. PLC ± 0.13 | SIZE | CAGE CODE | DRAWING NO |
| | 3. PLC ± - | WEIGHT | A1 00779 | 350777 |
| | 4. PLC ± - | CUSTOMER DRAWING | SCALE | 4:1 |
| | ANGLES ± 0°30' | SHEET | 1 | of 1 |
| MATERIAL | FINISH | REV | AE | |
| NYLON | | | | |

STE TE Connectivity