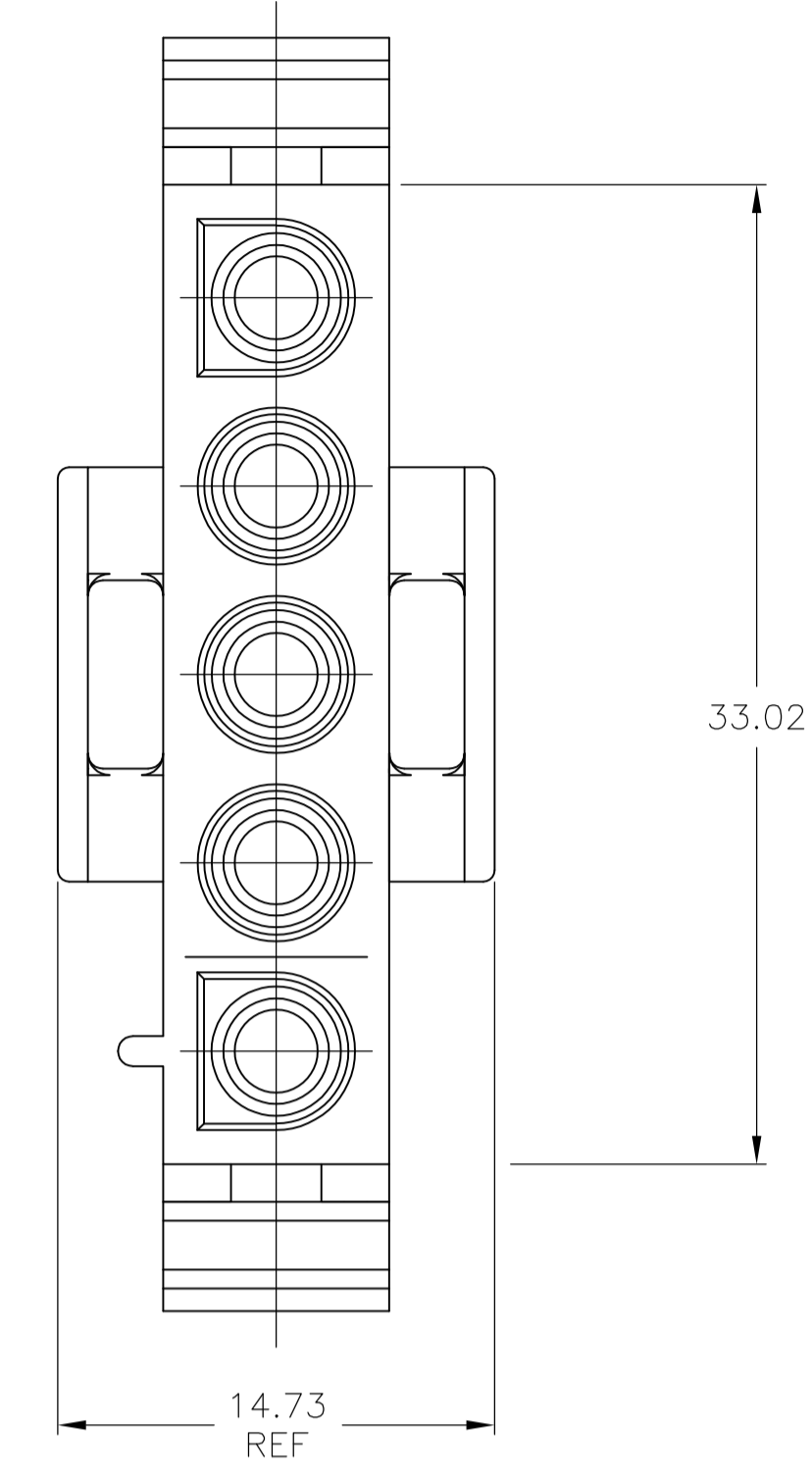
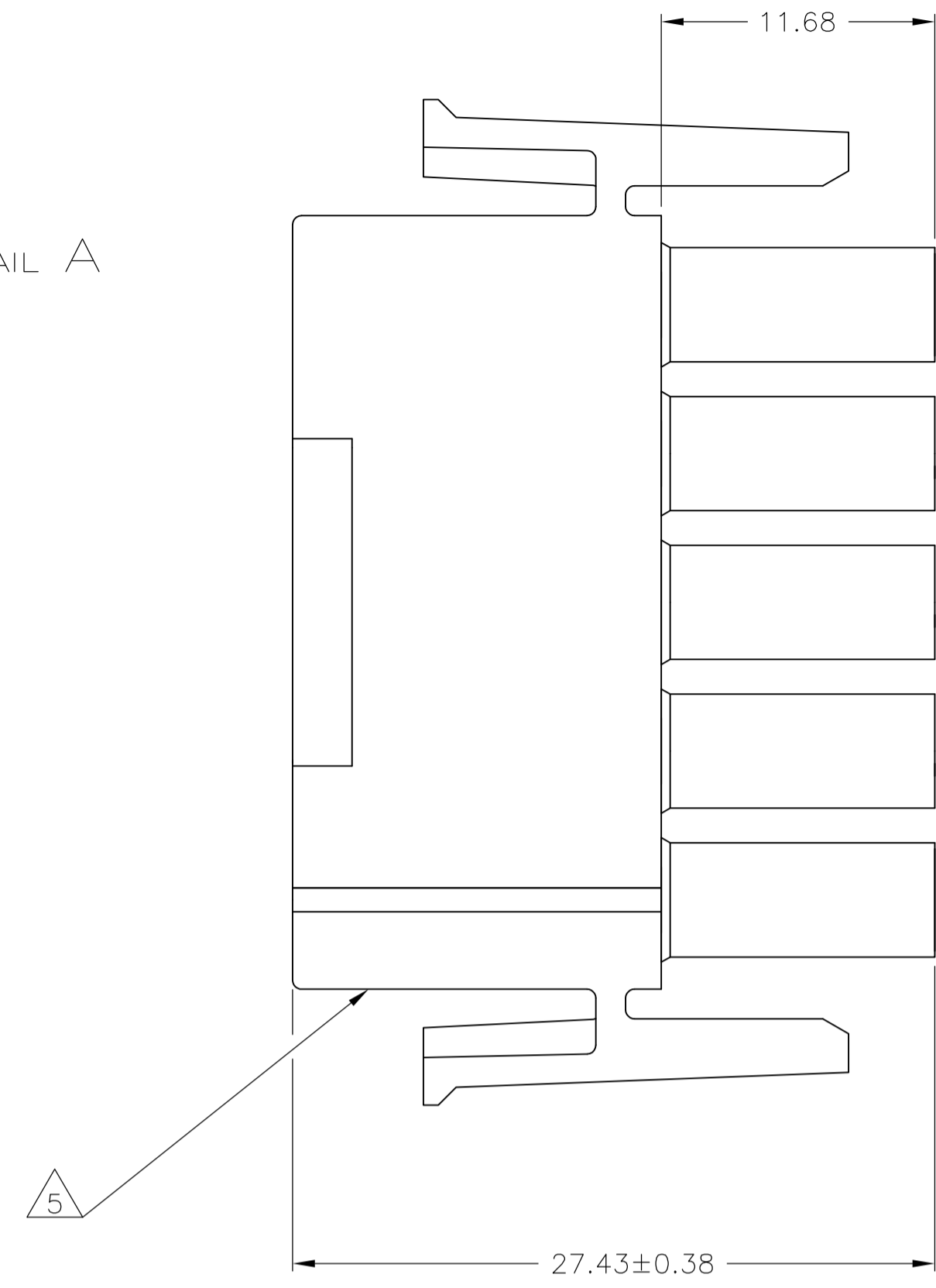
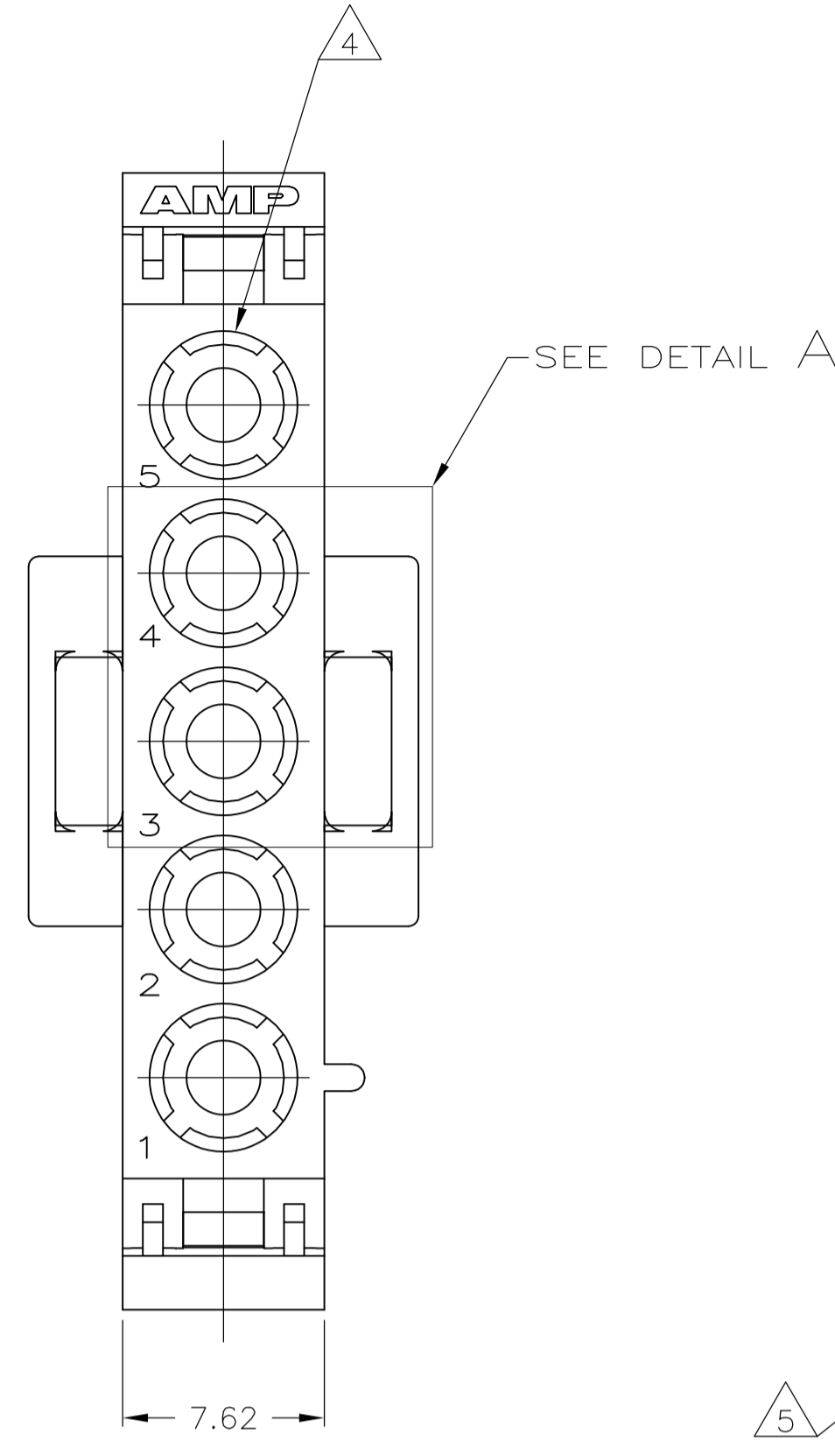
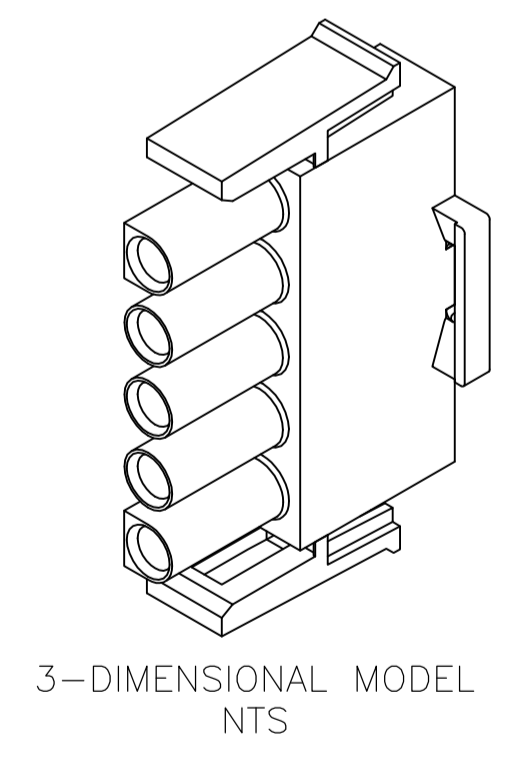
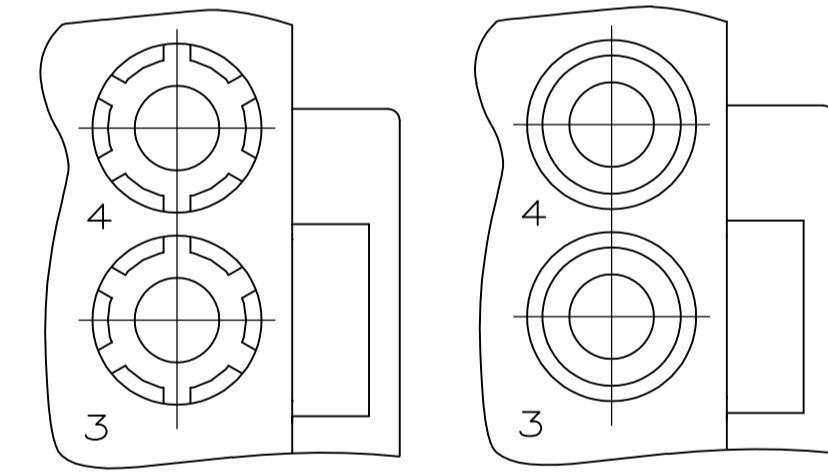
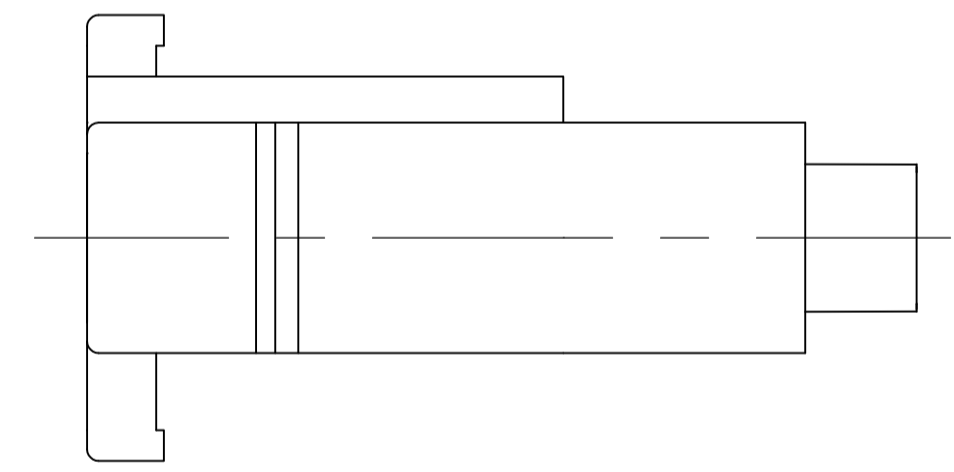


LOC		DIST		REVISIONS			
CM	53	REV	DATE	DESCRIPTION	DATE	BY	APPV
Y5	REVISED PER	ECR-17-006277	25MAY2017			BW	KR



- MATES WITH APPROPRIATE UNIVERSAL MATE-N-LOK™ CAP OR HEADER.
 - SMALL NICKS ARE PERMITTED ON THE CIRCUIT TOWERS WHICH COULD INCREASE THE INITIAL HOUSING MATING FORCE BY UP TO 4.4 NEWTONS [1.0 LBS]. NO INDIVIDUAL NICKED TOWER SHALL INCREASE THIS FORCE BY OVER 2.2 NEWTONS [.5 LBS].
 - DIMENSIONS SHOWN REPRESENT PRODUCT IN DRY, AS MOLDED, CONDITION. ADDITIONAL 2% GROWTH DUE TO SUBSEQUENT MOISTURE ABSORPTION MAY OCCUR AND SHOULD BE ACCOUNTED FOR.
- 4 FOUR RIBS EQUALLY SPACED, NO SPECIFIC ORIENTATION. NO RIBS OR SIX RIBS EQUALLY SPACED, NO SPECIFIC ORIENTATION, OPTIONAL.
- 5 UNDERWRITERS RECOGNIZED COMPONENT LOGO AND CSA CERTIFICATION LOGO TO BE LOCATED ONCE EACH ON SIDE OF HOUSING.



PA66 VO GWT 750°C NO FLAME	COLOR	PART NO.
	NATURAL	350809-3
	BLACK	1-350809-9
	GRAY	1-350809-8
	BLUE	1-350809-6
	GREEN	1-350809-5
	YELLOW	1-350809-4
	ORANGE	1-350809-3
	RED	1-350809-2
	BROWN	1-350809-1
SUPERCEDED BY 1-350809-9	BLACK	350809-2
	NATURAL	350809-1
	COLOR	PART NO.

MM	IN
33.02	1.300
27.43	1.080
14.73	.580
11.68	.460
7.62	.300
0.38	.015
0.13	.005

CONVERSION TABLE

THIS DRAWING IS A CONTROLLED DOCUMENT.

DIMENSIONS: mm	TOLERANCES UNLESS OTHERWISE SPECIFIED:	DIN R VESTAL 24FEB95	CHK R SWING 24FEB95	APPROV D SELF 24FEB95	NAME
0 PLC ± -	1 PLC ± -	2 PLC ± 0.13	3 PLC ± -	4 PLC ± -	PLUG, 5 CIRCUIT, UNIVERSAL MATE-N-LOK™
ANGLES ± 0°30'		PRODUCT SPEC 108-1031	APPLICATION SPEC 114-18011	WEIGHT	SIZE CAGE CODE DRAWING NO RESTRICTED TO
MATERIAL SEE TABLE	FINISH -	CUSTOMER DRAWING	SCALE 4:1	SHEET 1 OF 1	REV Y5

STE TE Connectivity