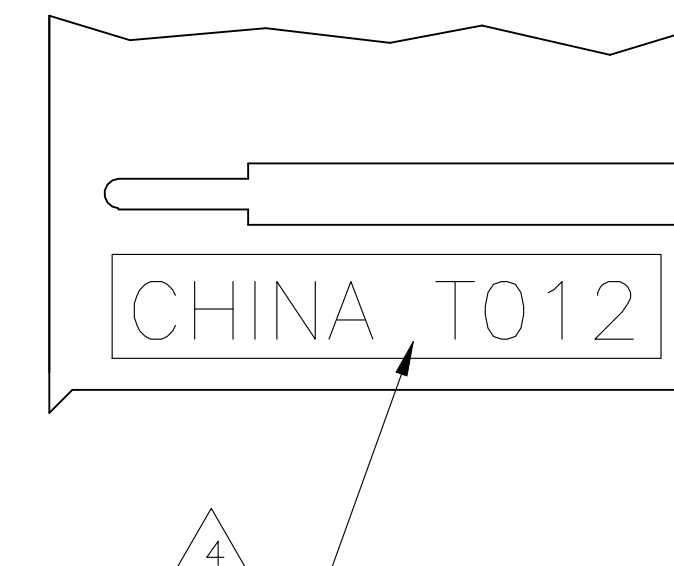
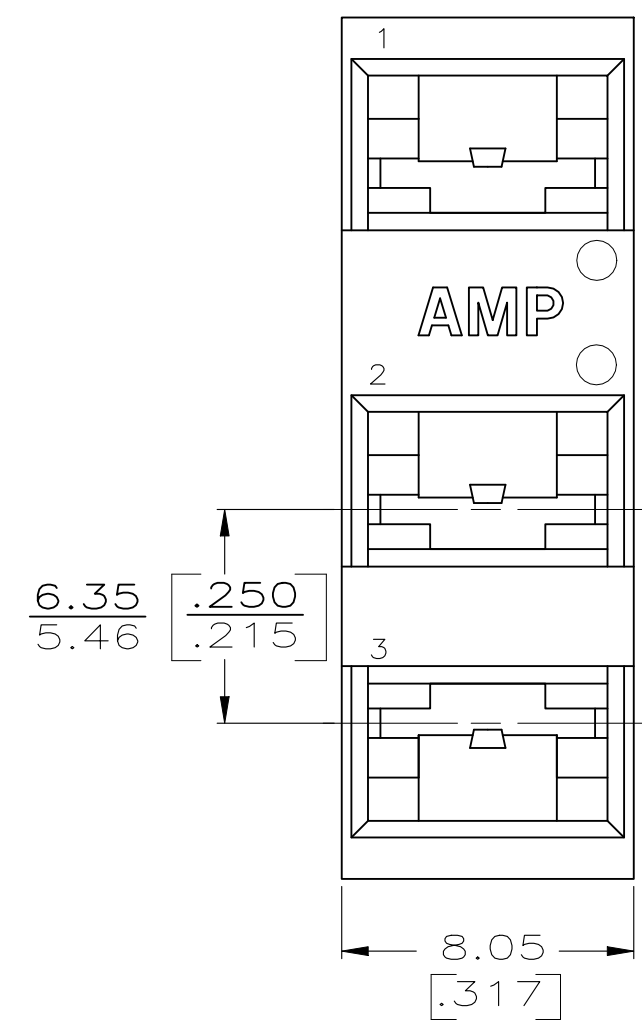
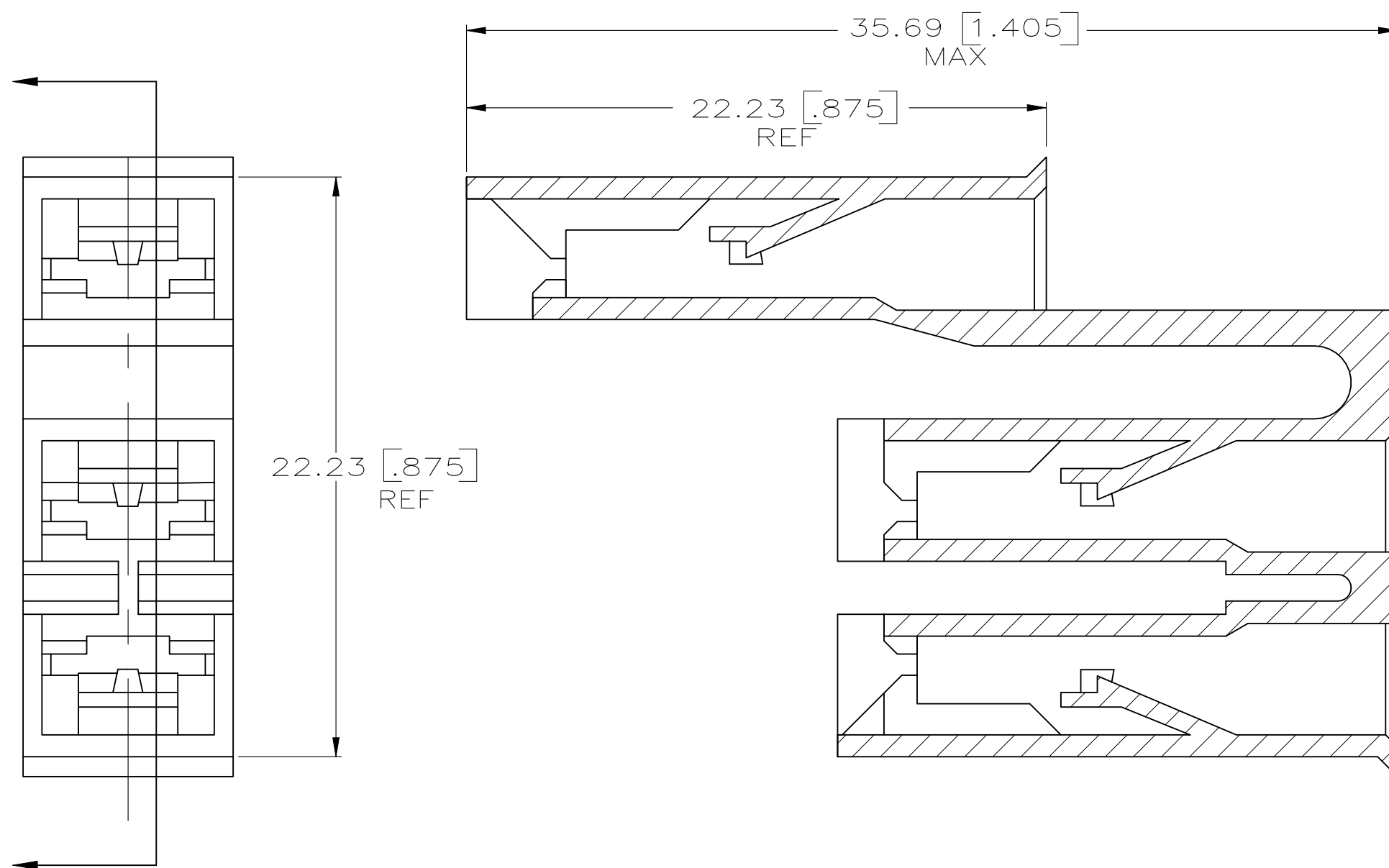


THIS DRAWING IS UNPUBLISHED. RELEASED FOR PUBLICATION
 © COPYRIGHT - By -TE ALL RIGHTS RESERVED.

REVISIONS					
P	LTR	DESCRIPTION	DATE	DWN	APVD
	BB	REVISED PER ECR-23-167184	28FEB2023	SS	RE



- 1 DIMENSIONS IN BRACKETS ARE IN INCHES.
- 2 HOUSING TO BE USED WITH THE FOLLOWING TERMINALS; 42452, 42453, 42373, 42374, 42617, 60487, 60573, 60214, 60621, 61017, 61079, 61084, 61124, 61919, 60831, 62138.
- 3 3 POSITION MICRO SWITCH HOUSING TO BE USED WITH MATCHING CENTERLINE 3 POSITION MICRO SWITCHES. CONTACT TE PRODUCT ENGINEERING TO REVIEW ANY APPLICATION WHERE COMPATIBILITY IS IN QUESTION.

- △ 4 COUNTRY OF ORIGIN AND VENDOR CODE
- △ 5 PRELIMINARY - NOT FOR PRODUCTION

DISCONTINUED	FINISH	MATERIAL	PART NO
	NATURAL	6/6 NYLON, V0	△ 5 360010-6
OBSOLETE	NATURAL	POLYAMIDE, UL 94, V2, 130°C ACCORDING TO IEC 60335-1, GLOW WIRE	360010-5
	BLACK	6/6 NYLON, V0, 150°C	360010-4
OBSOLETE	DYED RED	6/6 NYLON	360010-3
OBSOLETE	NATURAL	6/6 NYLON, V0, 120°C	360010-2
	NATURAL	6/6 NYLON, V2, 130°C	360010-1

THIS DRAWING IS A CONTROLLED DOCUMENT.		DWN	JR RUTH	5/21/87		TE Connectivity			
DIMENSIONS: mm [INCHES]		CHK	MS FEHER	5/27/87		NAME			
TOLERANCES UNLESS OTHERWISE SPECIFIED:		APVD	C MEYERS	5/27/87		HOUSING, RECEPTACLE, FASTON, .187 SERIES, 3 CIRCUIT			
0 PLC ± -		PRODUCT SPEC	-			SIZE	CAGE CODE	DRAWING NO	RESTRICTED TO
1 PLC ± -		APPLICATION SPEC	-			A2	00779	C=360010	-
2 PLC ± -		WEIGHT	0.000000			SCALE	1:1	SHEET	1 OF 1
3 PLC ± 0.38 [.015]		CUSTOMER DRAWING				REV	BB		
4 PLC ± -									
ANGLES ± -									
MATERIAL SEE TABLE									
FINISH SEE TABLE									