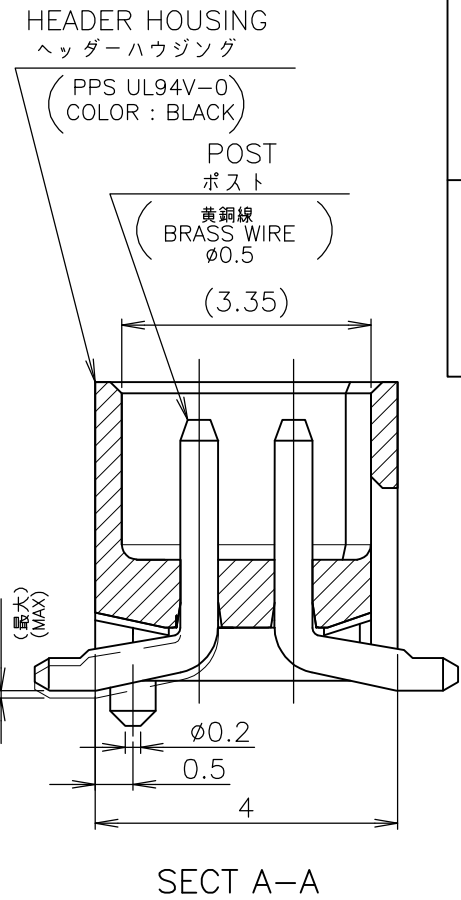
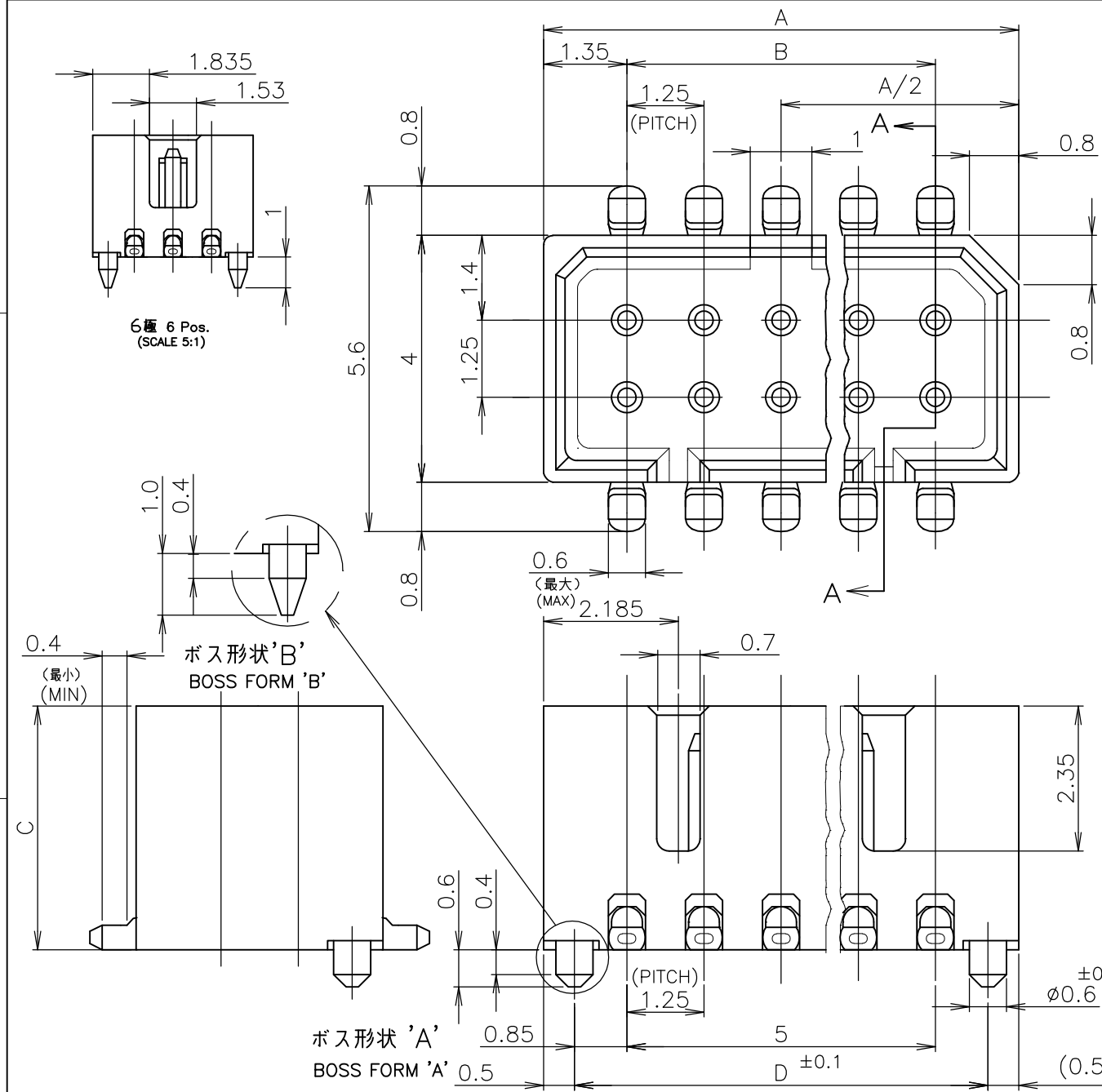


THIS DRAWING IS UNPUBLISHED. RELEASED FOR PUBLICATION
 © COPYRIGHT By - ALL RIGHTS RESERVED.

LOC	DIST	REVISIONS					
		P	LTR	DESCRIPTION	DATE	DWN	APVD
J		N1		REVISED PER ECO-11-005030	11MAR11	RK	HMR



注記 NOTE 1 嵌合相手製品型番及び、嵌合時寸法は MATING COUNTER PART NUMBER AND DIMENSIONS 表-1 参照のこと。 AFTER MATING: SEE TABLE 1.

仕上げ: 錫めっき(材料めっき)リフロー FINISH ; PLI-TIN REFLOW

仕上げ: ニッケル下地錫めっき(後めっき) FINISH ; TIN PL. Ni UNDER PL. ALL OVER

嵌合時寸法: 巾(mm)x高さ(mm)
DIMENSIONS AFTER MATING : WIDTH(mm) x HEIGHT(mm)

DIP TYPE	MATING COUNTER CONNECTION RECE HDR ASSY	SMT TYPE X-174821-X		
		3.95	5.45	5.95
V TYPE X-174635-X X-176870-X	ボス付 WITH BOSS	5.6(巾W)x	5.6(巾W)x	5.6(巾W)x
	ボス無 WITHOUT BOSS	5.0(高H)	6.5(高H)	7.0(高H)
H TYPE X-174636-X X-176892-X	ボス付 WITH BOSS	5.6(巾W)x	5.6(巾W)x	5.6(巾W)x
	ボス無 WITHOUT BOSS	5.8(高H)	7.3(高H)	7.8(高H)
V TYPE X-174904-X X-176768-X	ボス付 WITH BOSS	5.6(巾W)x	5.6(巾W)x	5.6(巾W)x
	ボス無 WITHOUT BOSS	5.0(高H)	6.5(高H)	7.0(高H)
H TYPE X-174905-X X-176893-X	ボス付 WITH BOSS	5.6(巾W)x	5.6(巾W)x	5.6(巾W)x
	ボス無 WITHOUT BOSS	6.9(高H)	7.9(高H)	8.9(高H)

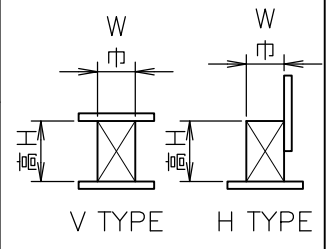
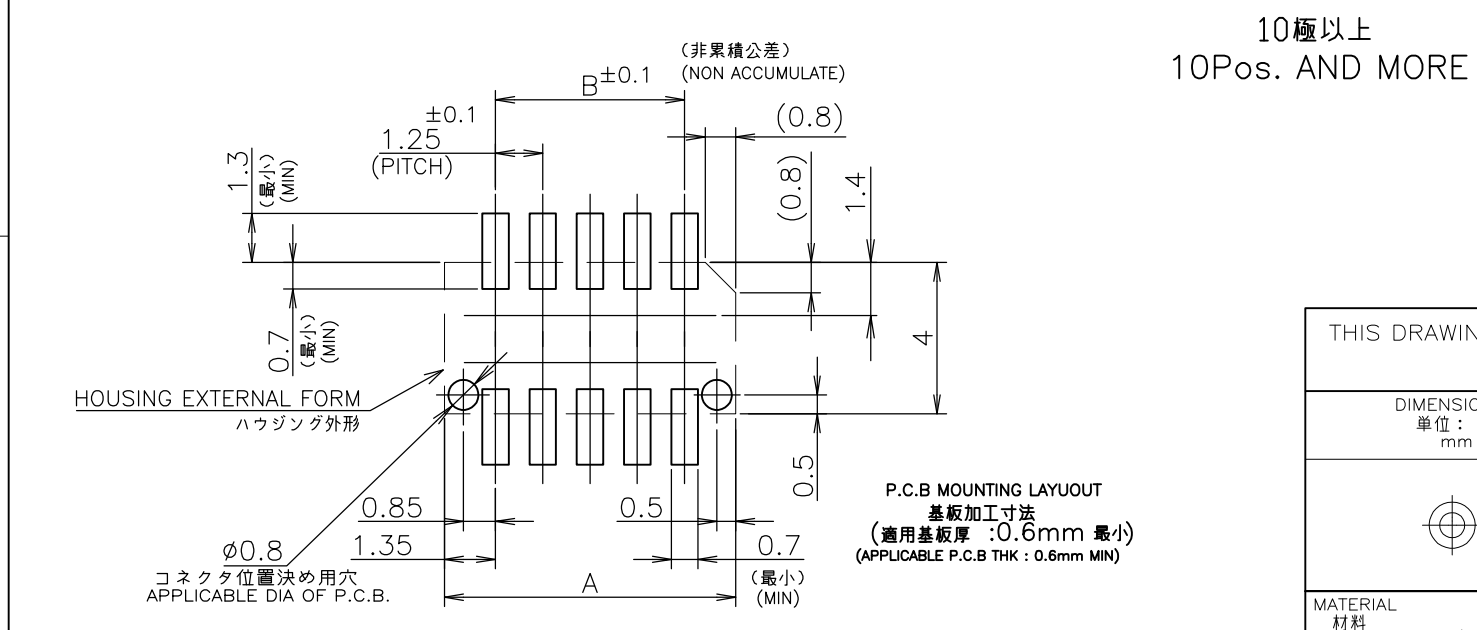


TABLE 1 表-1
SMT TYPEは、巾及び高さ寸法に SMT TYPE INCLUDE DIMENSIONS 半田付タイプ寸法を含みます。 OF SOLDER DIP TIME.

仕上げ FINISH	ボス形状 BOSS TYPE	D	C	B	A	極数 Pos.	型番 P/N
△3	'B'	10.45	↑	8.75	11.45	16	7- ↑ -6
△3	↑	7.95	5.95	6.25	8.95	12	7- -2
△3	↑	15.45	↑	13.75	16.45	24	5- -4
△3	↑	14.20	↑	12.50	15.20	22	5- -2
△3	↑	12.95	↑	11.25	13.95	20	5- -0
△3	↑	11.70	↑	10.00	12.70	18	4- -8
△3	'A'	10.45	↑	8.75	11.45	16	4- -6
△3	↑	9.20	↑	7.50	10.20	14	4- -4
△3	↑	7.95	↑	6.25	8.95	12	4- -2
△3	↑	6.70	↑	5.00	7.70	10	4- -0
△3	'B'	4.20	3.95	2.50	5.20	6	3- -6
△3	'A'	12.95	↑	11.25	13.95	20	2- -0
△3	'B'	10.45	↑	8.75	11.45	16	1- -6
△3	'A'	9.20	5.45	7.50	10.20	14	1-174821-4



THIS DRAWING IS A CONTROLLED DOCUMENT.

DWN S.KANEKI 16JAN90
CHK J.TANIGAWA 17JAN90
APVD S.KUBOUCI 17JAN90

NAME 名称
1.25 F-P CONNECTOR (B-TO-B)
DOUBLE ROW POST HDR ASSY SMT TYPE WITH BOSS

PRODUCT SPEC
製品規格
108-5246

APPLICATION SPEC
取付適用規格

SIZE A3 CAGE CODE 00779 DRAWING NO. 番号 C-174821 RESTRICTED TO

MATERIAL 材料 △4 FINISH 仕上 △3

WEIGHT

CUSTOMER DRAWING SCALE 尺度 10:1 SHEET 1 OF 1 REV N1