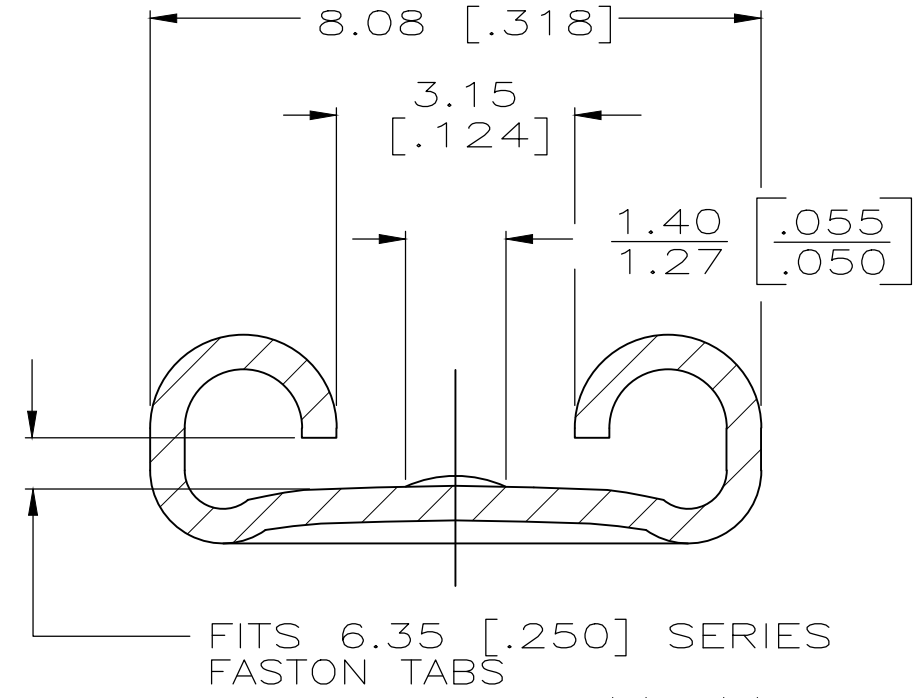
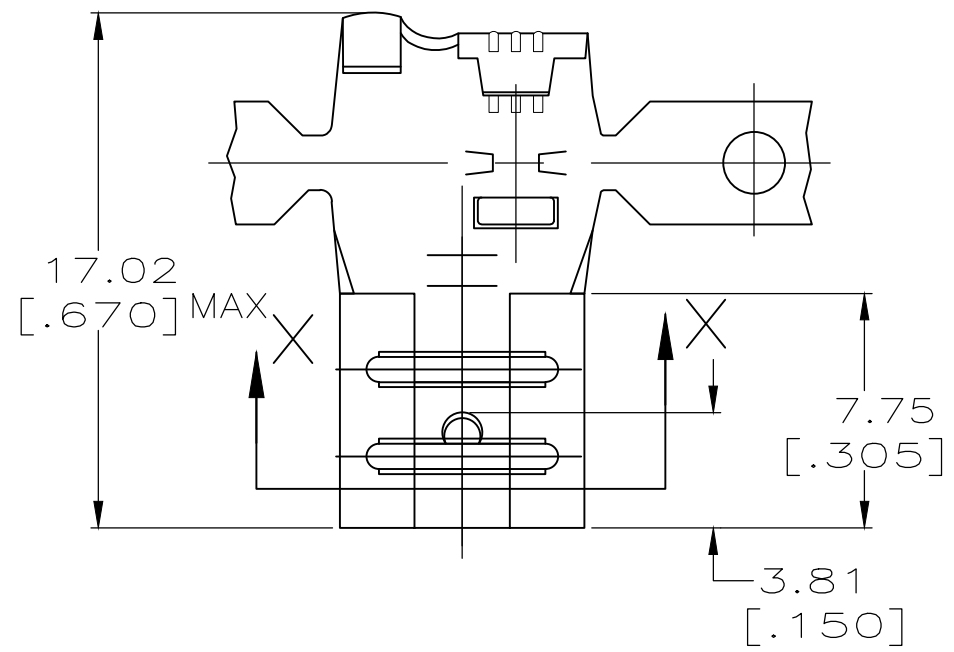
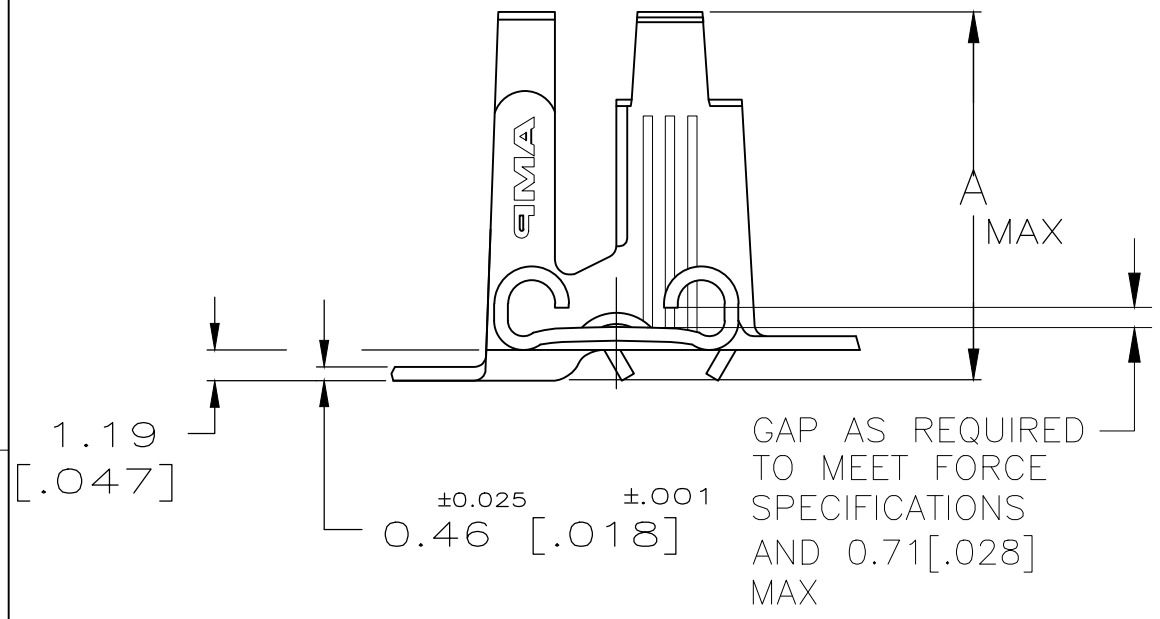


THIS DRAWING IS UNPUBLISHED. RELEASED FOR PUBLICATION
 © COPYRIGHT - By - ALL RIGHTS RESERVED.

| REVISIONS | | | | | |
|-----------|-----|---------------------------|-----------|-----|------|
| P | LTR | DESCRIPTION | DATE | DWN | APVD |
| AD1 | | REVISED ECR-18-011675 | 23JUL2018 | BH | RP |
| AD2 | | REVISED PER ECR-20-009164 | 14JUL2020 | MK | DH |



- 1 CONTINUOUS STRIP ON REELS.
- △2 FOREIGN PRODUCTION ONLY
- △3 SILVER PL 0.00381 [.000150] MIN
- △5 NICKEL PL 0.00381 [.000150] MIN



| DIM A | INSULATION RANGE | WIRE RANGE | MATING TAB THK | FINISH | MATERIAL | PART NO |
|--------------|------------------|---|----------------|-----------|-------------|--------------------|
| 12.19 [.480] | | 3.0-5.0mm ² [12-10] AWG 6000-10600 CMA | | NICKEL △5 | T2 STEEL | 42563-9 |
| | | | | TIN | T3 PHOS BRZ | 42563-8 |
| | | | | SILVER △3 | T3 PHOS BRZ | 42563-6 |
| | | | | SILVER △3 | T3 PHOS BRZ | 42563-7 |
| | | | | TIN | T3 PHOS BRZ | 42563-5 |
| | | | | - | T3 PHOS BRZ | 42563-4 |
| | | | | SILVER △3 | #4H BRASS | 42563-3 |
| | | | | TIN | #4H BRASS | 42563-2 |
| | | | | - | #4H BRASS | 42563-1 |

THIS DRAWING IS A CONTROLLED DOCUMENT.

| | | | |
|------------------|-----------|---------------|---|
| DWN | JR RUTH | 2/14/91 | STE TE Connectivity Ltd. |
| CHK | P FORTNEY | 2/14/91 | |
| APVD | C MEYERS | 2/14/91 | |
| PRODUCT SPEC | D REINER | 2/14/91 | |
| APPLICATION SPEC | | | NAME |
| | | | RECEPTACLE, FASTON, FLAG, 6.35 [.250] SERIES |
| MATERIAL | SEE TABLE | FINISH | SEE TABLE |
| WEIGHT | - | SIZE | A3 |
| CUSTOMER DRAWING | | CAGE CODE | 00779 |
| | | DRAWING NO | C-42563 |
| | | RESTRICTED TO | - |
| | | SCALE | 4:1 |
| | | SHEET | 1 OF 1 |
| | | REV | AD2 |