

4

3

2

1

THIS DRAWING IS UNPUBLISHED.

RELEASED FOR PUBLICATION

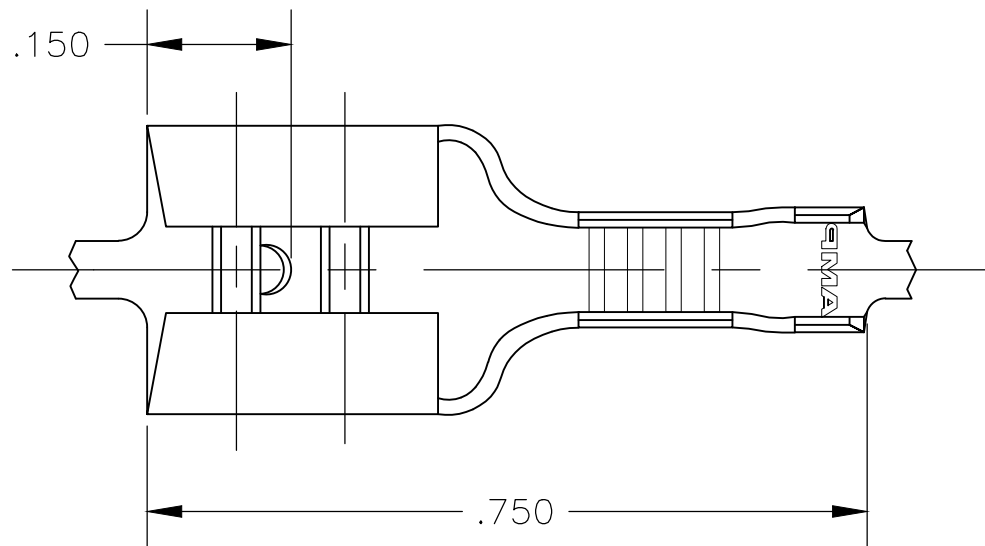
ALL RIGHTS RESERVED.

© COPYRIGHT - By -

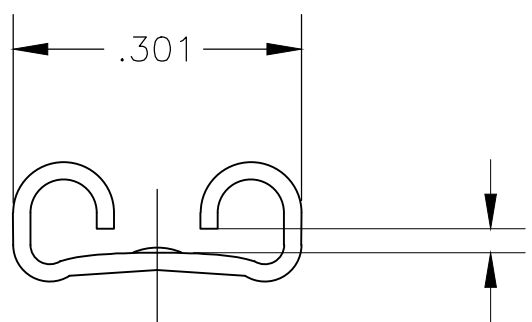
LOC
AF
DIST
50

REVISIONS

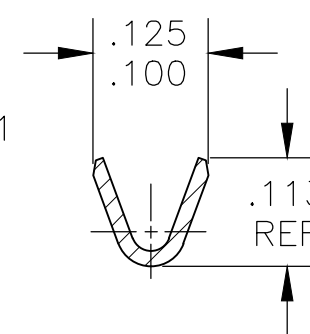
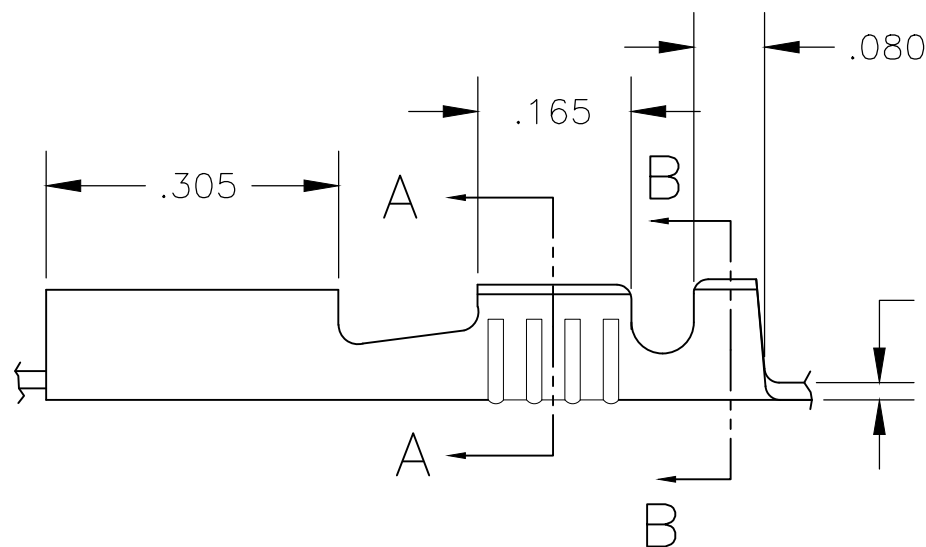
P	LTR	DESCRIPTION	DATE	DWN	APVD
	H	REVISED PER ECR-12-013445	09NOV12	KH	PD
	H1	REVISED PER ECR-20-009164	14JUL2020	MK	DH



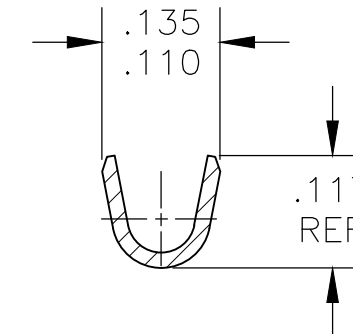
- 1 CONTINUOUS STRIP ON REELS
- 2 WIRE SIZE IS 22-18 AWG
- 3 INSULATION RANGE IS .060-.100 DIA
- 4 FEED IS $.840 \pm .005$
- 5 MATING TAB THK IS $.033-.030$



GAP AS REQUIRED TO MEET FORCE SPECIFICATIONS AND .028 MAX




SECTION A-A



SECTION B-B

TIN	42640-2
-	42640-1
FINISH	PART NO

THIS DRAWING IS A CONTROLLED DOCUMENT.		DWN jr_ruth 13JAN2004	 TE Connectivity RECEPTACLE, FASTON, .250 SERIES				
DIMENSIONS: INCHES		CHK P_DESANTIS 13JAN04				NAME	
TOLERANCES UNLESS OTHERWISE SPECIFIED:		APVD P_DESANTIS 13JAN04				PRODUCT SPEC	
0 PLC ± - 1 PLC ± - 2 PLC ± - 3 PLC ± .015 4 PLC ± - ANGLES ± -		APPLICATION SPEC				RESTRICTED TO	
MATERIAL BRASS		FINISH SEE TABLE	WEIGHT -	SIZE A3	CAGE CODE 00779	DRAWING NO C-42640	RESTRICTED TO -
CUSTOMER DRAWING			SCALE 5:1	SHEET 1 OF 1	REV H1		