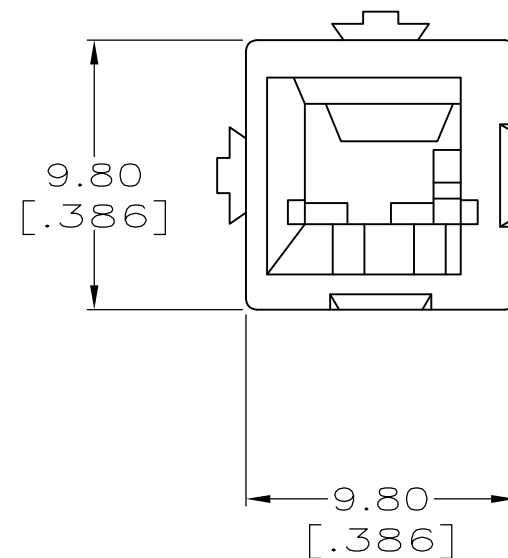
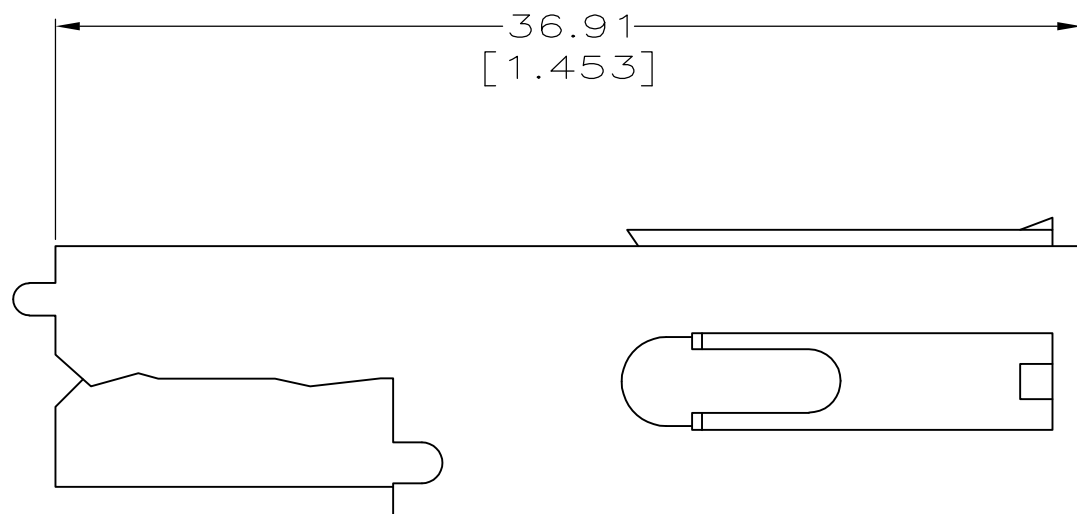


THIS DRAWING IS UNPUBLISHED. RELEASED FOR PUBLICATION - , - .  
 © COPYRIGHT - By - ALL RIGHTS RESERVED.

LOC	DIST	REVISIONS					
FT	60	P	LTR	DESCRIPTION	DATE	DWN	APVD
		B1		REVISED PER ECO-11-004917	11MAR11	RK	HMR



- ⚠ ALL DIMENSIONS ARE MAXIMUM UNLESS OTHERWISE SPECIFIED.
2. THIS HOUSING IS USED WITH TERMINALS 556135-1,-2 [18-16-14 AWG CU WIRE: (-1) REEL AND (-2) LOOSE PIECE], AND 556136-1,-2 [12 AND 10 AWG CU WIRE: (-1) REEL AND (-2) LOOSE PIECE] AND MOUNTING ADAPTER 557313-1.

GRAY	556137-8
BLUE	556137-6
RED	556137-4
GREEN	556137-3
BLACK	556137-2
WHITE	556137-1
COLOR	PART NUMBER

THIS DRAWING IS A CONTROLLED DOCUMENT.		DWN M.BINNER 13 MAR 97		
DIMENSIONS: mm[INCHES]		CHK R.STONE 14 MAR 97		
		APVD M.McALONIS 17 MAR 97		
TOLERANCES UNLESS OTHERWISE SPECIFIED:		NAME HOUSING, SINGLE POSITION, WTW, AMPINERGY™		
0 PLC ± - 1 PLC ± - 2 PLC ± - 3 PLC ± - 4 PLC ± - ANGLES ± -		PRODUCT SPEC 108-1373		
MATERIAL POLYCARBONATE, 94V-0 COLOR: SEE TABLE		APPLICATION SPEC 114-6051		
FINISH -		WEIGHT -		
		SIZE A3		RESTRICTED TO -
		CAGE CODE 00779		
		DRAWING NO C-556137		
		CUSTOMER DRAWING		SCALE 4:1
		SHEET 1 of 1		REV B1