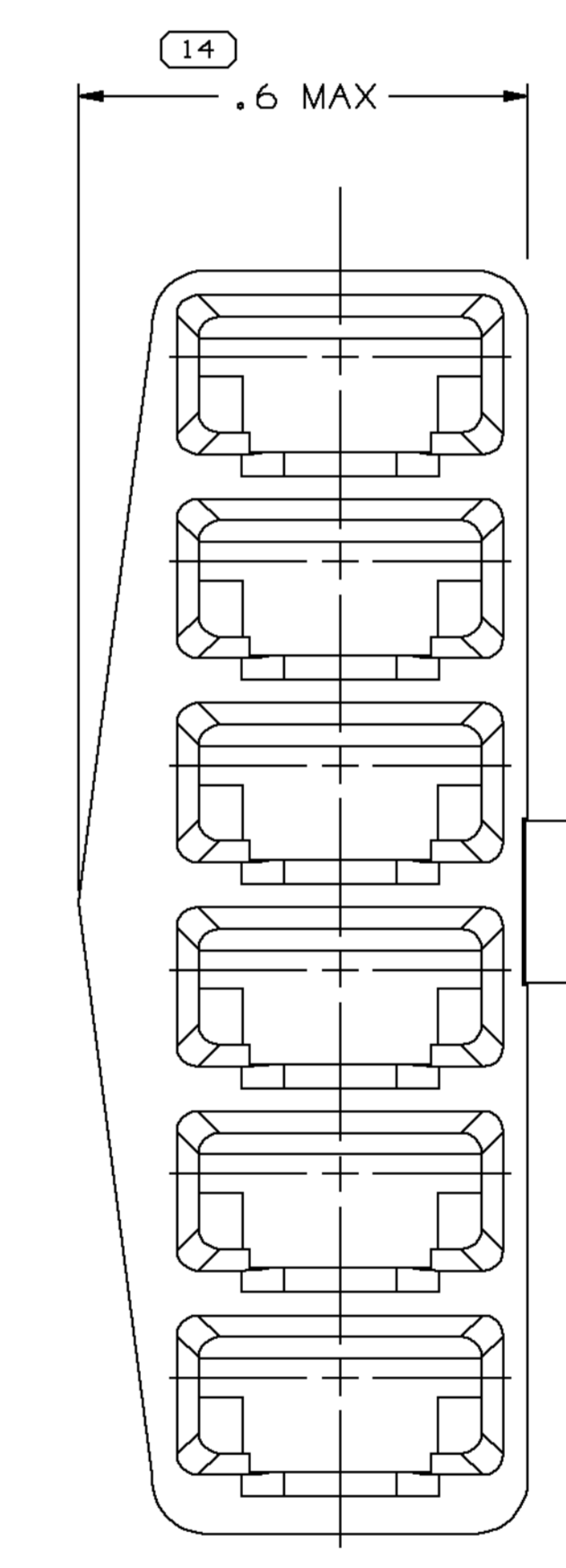
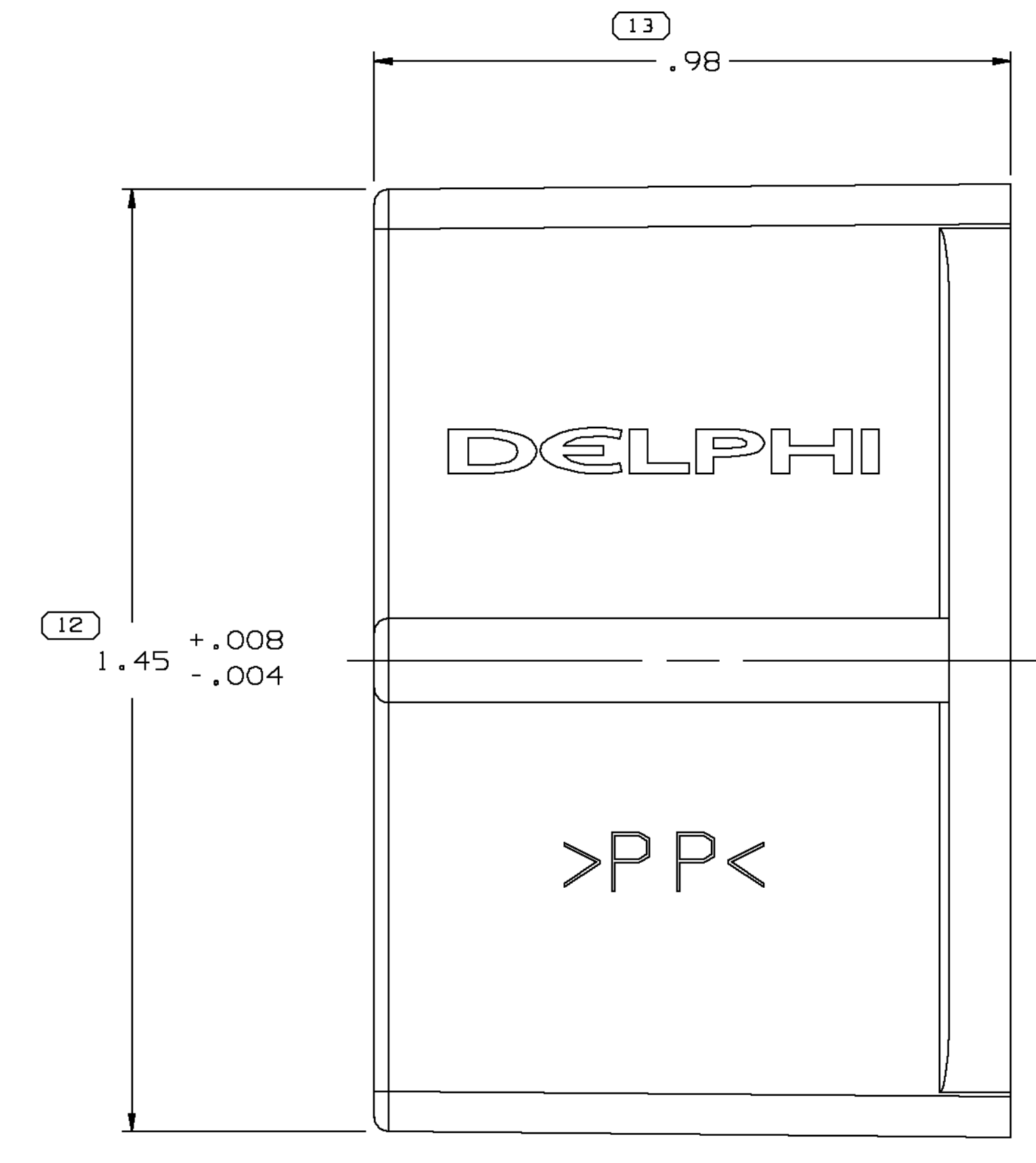
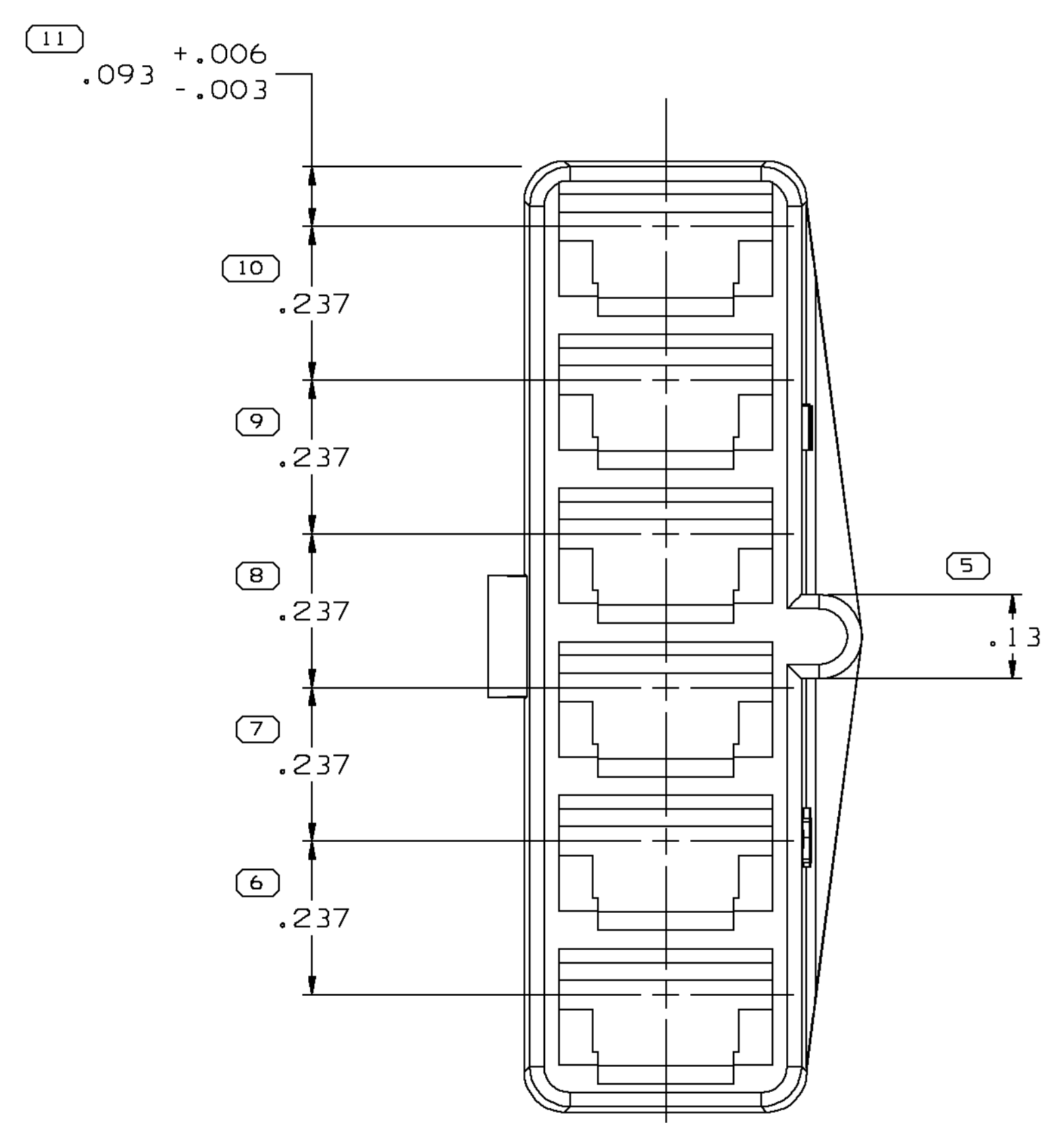
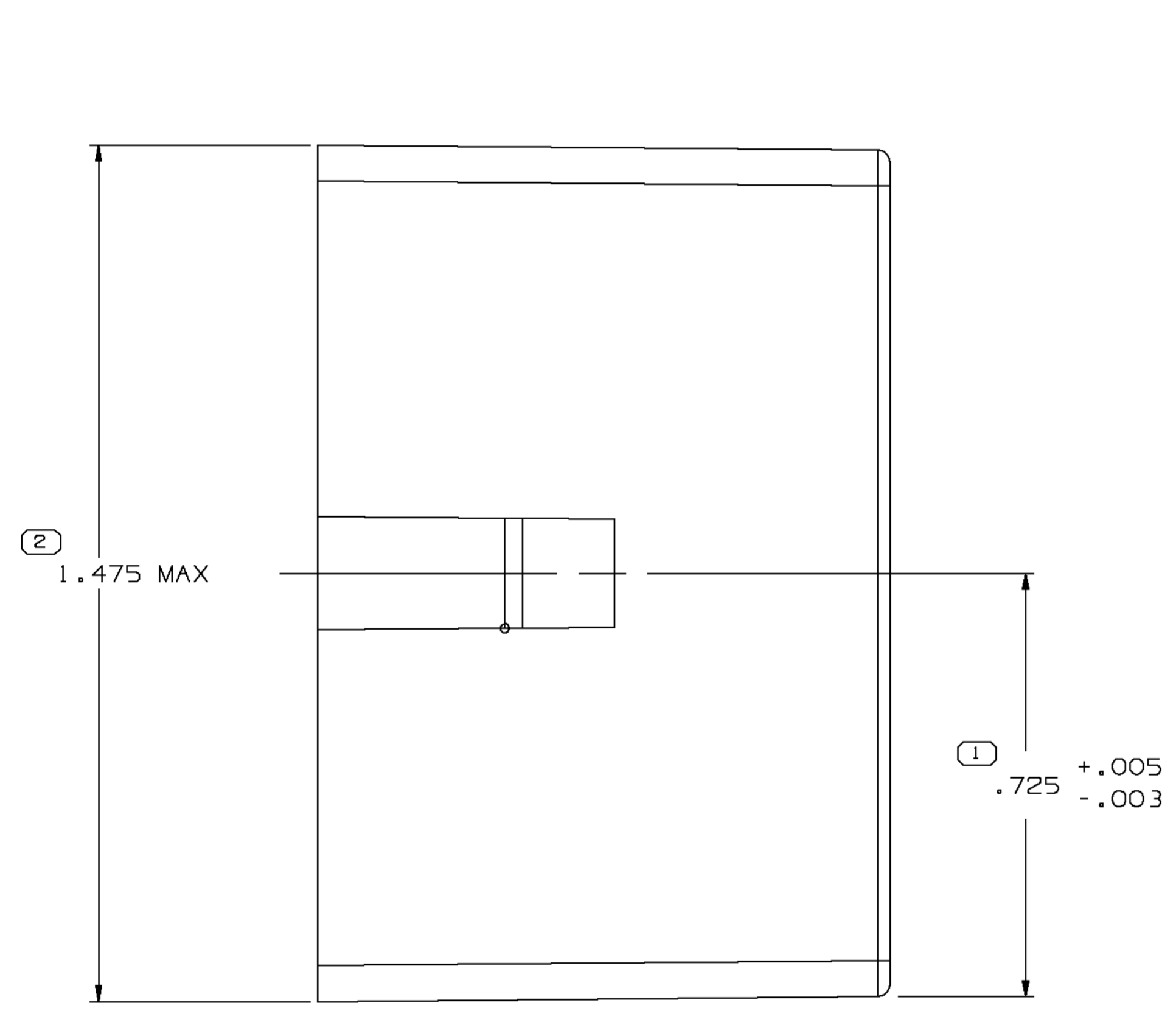
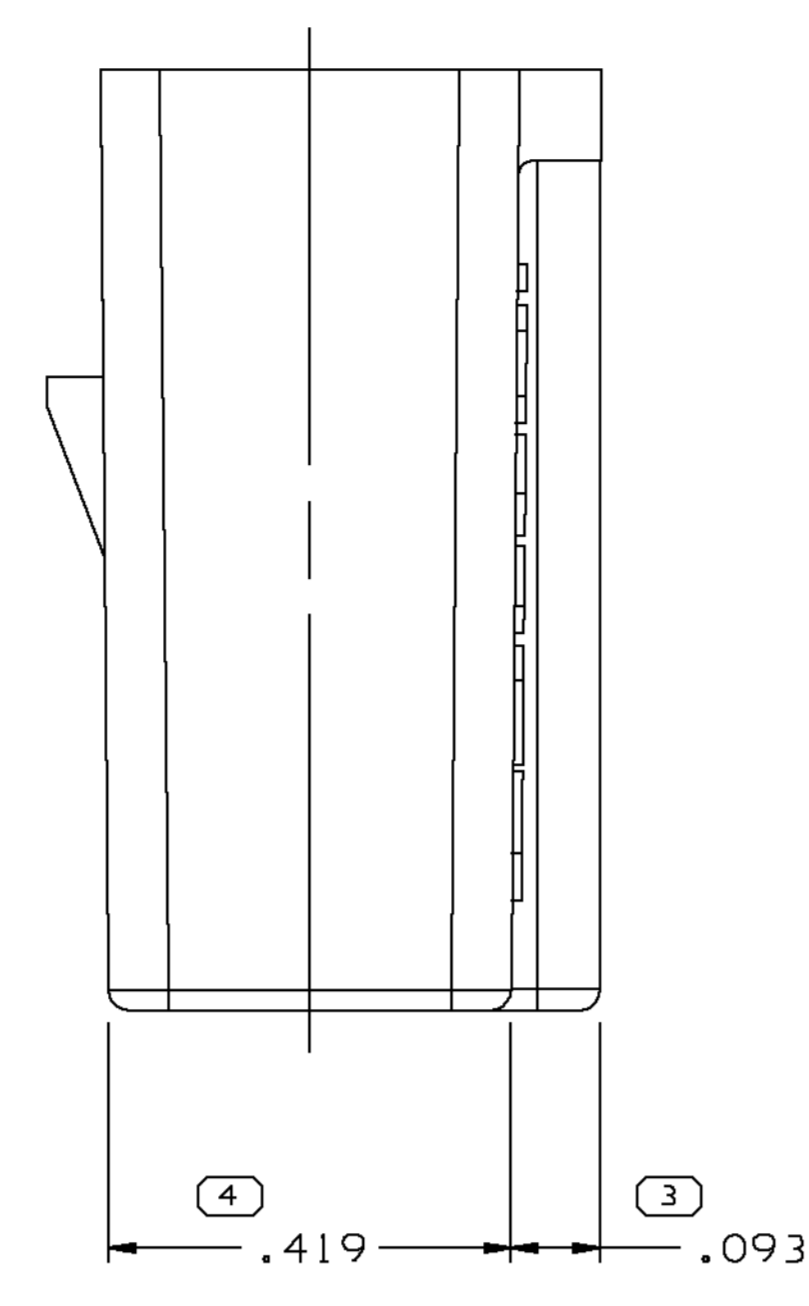


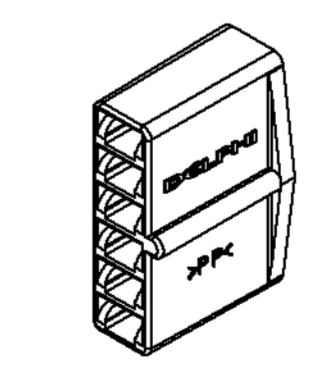
SYMBOL DEFINITION	
A DIMENSION WITHOUT AN INSPECTION REPORT SYMBOL DOES NOT REQUIRE INSPECTION. IT MAY BE CONTROLLED ON THE INDIVIDUAL COMPONENT DRAWING.	TOTAL NO OF INSPECTIONS REQUIRED
	14
	LAST NO. USED
	14

DWG STATUS				REVISION HISTORY				AUTH	DR	APVD	APVD
DATE	STG	REV	W/P	CHG	ZONE	Cleared Rev Col., Redrawn to PD & MAT'L SPEC WAS R0067550 PP BLK			231422	EOV	AM
070002	R	A5	-	-	-						



NOTES

- UNLESS OTHERWISE SPECIFIED AND/OR INDICATED: DIMENSIONS ARE TO FACE OF VIEW SHOWN AND AUTOMATICALLY ROUNDED BY COMPUTER FOR INSPECTION (SEE MATH MODEL FOR PRECISE DIMENSIONS). FOR ALL OTHER DIMENSIONS NOT SHOWN BUT REQUIRED FOR TOOL BUILD, SEE MATH MODEL FOR PRECISE TOOL PATH DATA.
- MATERIAL RECYCLING CODE >PP< PER SAE J1344. (.11)X(.01) RAISED CHARACTERS AS SHOWN TO BE LOCATED ON ANY EXTERIOR SURFACE. OPTIONAL CONSTRUCTION TO BE NO MATERIAL RECYCLING CODE.
- MATING COMPONENTS OR EQUIVALENT: CONNECTOR 062B8539
- STAMP MOLD WITH REVISION LETTER "O".
- (.11)X(.01) RAISED DELPHI CORPORATE BRAND TO BE LOCATED ON ANY EXTERIOR SURFACE, PREFERABLY VISIBLE AT FINAL ASSEMBLY. OPTIONAL CONSTRUCTION TO BE "PED" OR NO LOGO.



DIMENSIONAL RANGE (IN)	CHART	H
FROM 0	>.750	>1.250
TO .750	1.250	2.750
	2.750	4.000
	4.000	>4.000

THIRD ANGLE PROJECTION	DO NOT SCALE
USE MATH DATA	

DELPHI
DELPHI PACKARD ELECTRIC SYSTEMS
WARREN, OH

DR	DATE
APVD1 T. MUDREY	21SE66
APVD2 G. WRIGHT	21SE66
APVD3 LUBERT	21SE66
APVD4	
APVD5	

MATERIAL: M0661002 PP BLK

DRAWING NAME: CONN 6F 56 SER

DRAWING NUMBER: 06288538

SIZE: A0 SCALE: 5:1 FRAME NO: 1 OF 1 SHEET NO: 1 OF 1 REV: A5

DWO TYPE PART DRAWING	
STYLE	
VOLUME (COP)	DISTR CODE
5, 126	D
ROUTING	
6900, 6901	
UNLESS OTHERWISE SPECIFIED	
THIS DOCUMENT IS IN ACCORDANCE WITH ASME Y14.5M-1994 AS AMENDED BY Y14.5M-2009 DIMENSIONING AND TOLERANCING ADDENDUM - 1997. ALL GEOMETRIC TOLERANCES AND RELATED DATUMS APPLY PER ASME Y14.5M-1994. UNLESS OTHERWISE SPECIFIED, ALL DIMENSIONS ARE IN INCHES.	
REFERENCE	